



HR-10

Rotary Tedder

ILLUSTRATED PARTS BREAKDOWN

- Page 1** | **Tongue & Main Frame Assembly**
- Page 3** | **Lower Frame Assembly**
- Page 5** | **Gearbox & Tine Arm**
- Page 7** | **Guard Assembly, Old Style**
- Page 9** | **Guard Assembly, New Style**
- Page 11** | **PTO Shaft**



ASSEMBLY
DIAGRAMS



PARTS
LISTINGS

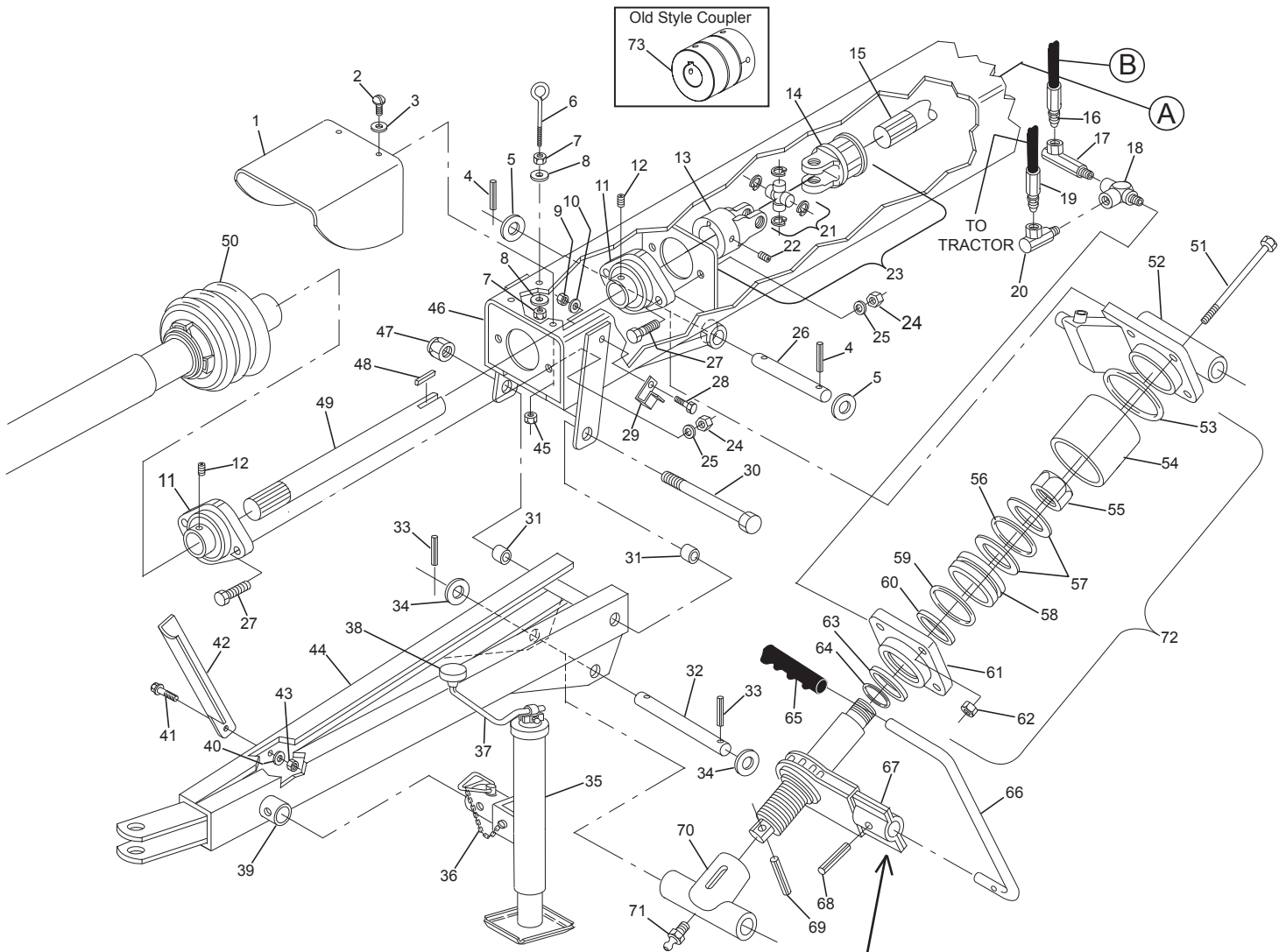


REPLACEMENT
PARTS



USE THIS PARTS BOOK TO IDENTIFY AND ORDER PEQUEA REPLACEMENT PARTS

Tongue & Main Frame Assembly



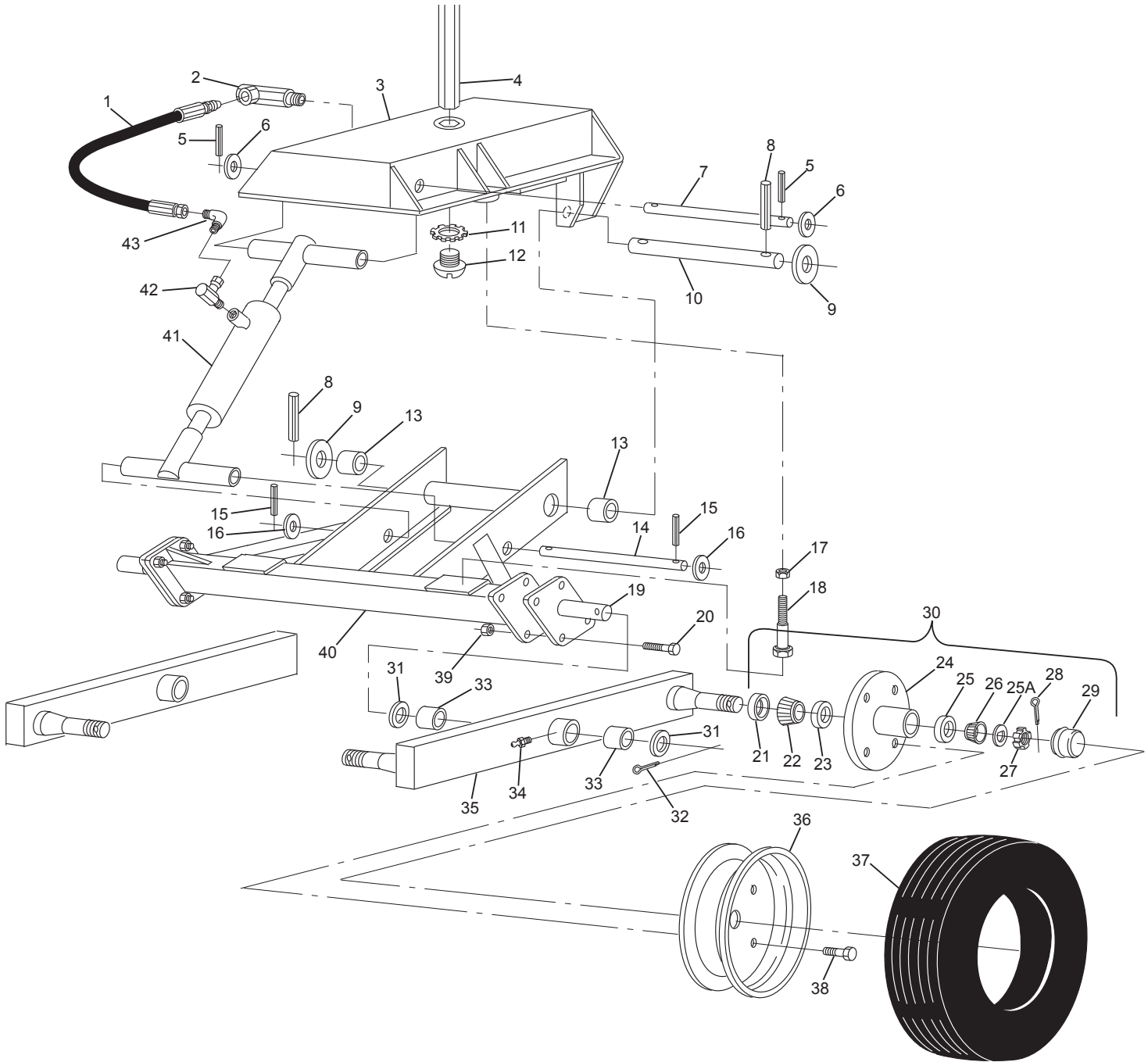
Note: Replacement part #67 is a cylinder rod with only a hex nut welded to it for rotation. There is no ratchet mechanism available.

Tongue & Main Frame Assembly

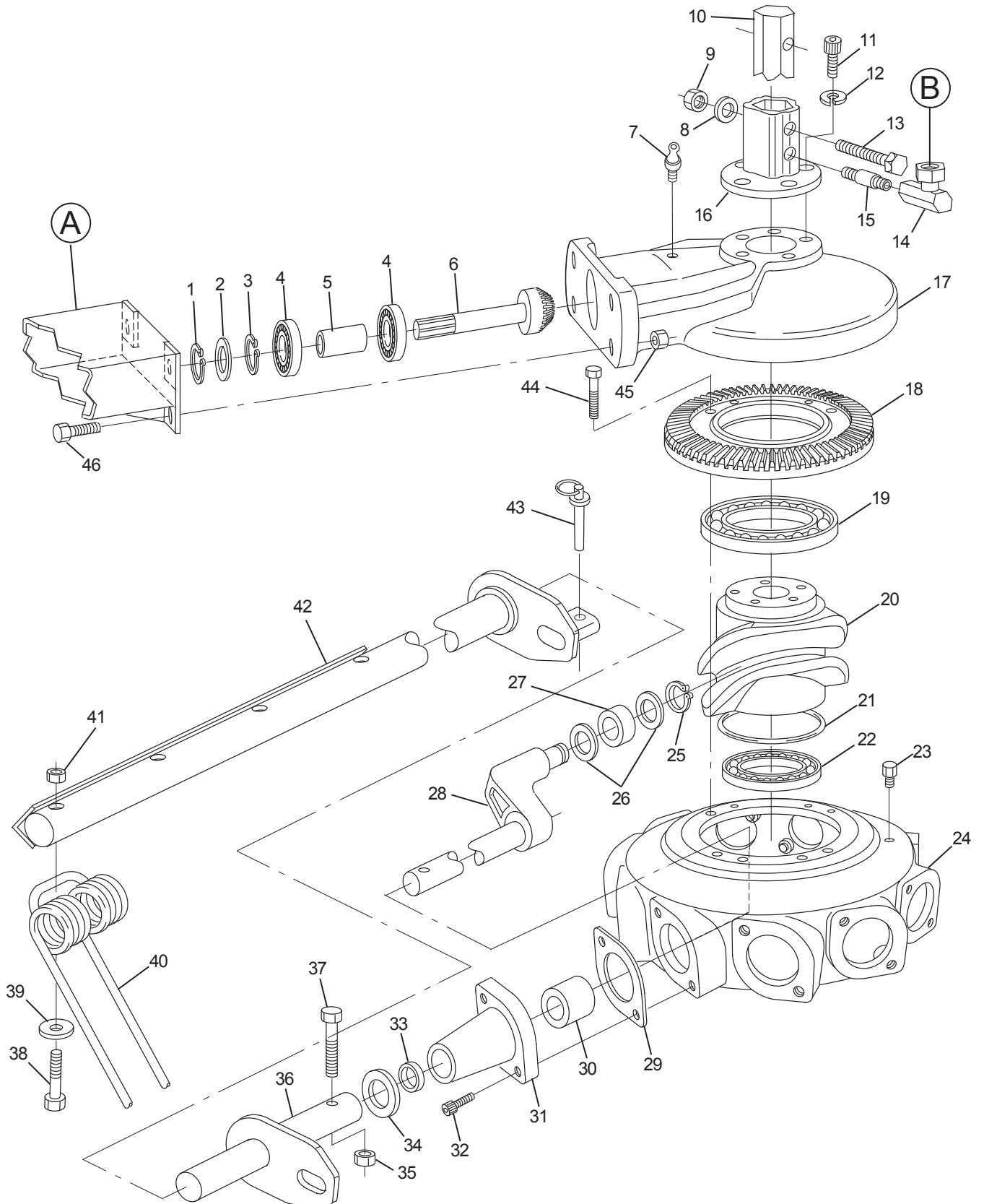
ITEM #	PART #	DESCRIPTION
1	500066	PTO Guard
2	000210	bolt (5/16" x 3/4")
3	000810	lock washer (5/16")
4	500017	roll pin (1/4" x 2")
5	500018	machine bushing
6	500095	eye bolt (3/8" x 4")
7	000920	nut (3/8")
8	001105	fender washer (3/8")
9	000910	nut (5/16")
10	001030	washer (5/16")
11	500067	flange bearing
12	001120	set screw
13	500270	yoke w/ keyway
14	500269	yoke, splined
15	500232	pinion gear
16	500117	hose (77")
17	500123	90° fitting w/ swivel (long)
18	500125	street "T"
19	500118	hose (85")
20	500122	90° fitting w/ swivel (short)
21	500272	cross & bearing kit
22	001130	3/8-16 X 3/8 Set Screw
23	000950	universal coupler assembly
24	001055	lock nut (1/2")
25	500075	washer (1/2")
26	000435	tunnel cylinder pin
27	000210	bolt (1/2" x 1 1/2")
28	500096	slotted truss head bolt (5/16" x 3/4")
29	500019	handle bracket
30	500278	tongue bolt
31	500016	bushing
32	500017	tongue cylinder pin
33	500018	roll pin (1/4" x 2")
34	500009	machine bushing
35	500012	complete jack
36	500010	pin w/ chain
37	PART #	handle

ITEM #	500011	DESCRIPTION
38	500084	knob & cap nut
39	001035	jack mount bracket
40	000270	washer 3/8
41	500015	bolt (3/8" x 1")
42	000925	PTO stand
43	500000	lock nut (3/8")
44	000920	tongue
45	500068	nut (3/8")
46	001012	tunnel assembly
47	500271	lock nut (1")
48	500277	key
49	500022	drive shaft
50	000512	PTO shaft
51	500103	bolt (1/2" x 5")
52	500104	cylinder base
53	500105	"O" ring
54	001011	cylinder tub
55	500107	nut (1")
56	500106	"O" ring
57	500108	backer
58	500109	piston
59	500111	"O" ring
60	500110	oil seal
61	500112	cylinder head
63	000947	rod wiper
62	500099	nut (1/2")
64	500115	"O" ring
65	500114	handle grip
66	500100	handle
67	500187	cylinder shaft w/ ratchet
68	500102	roll pin (1/4" x 1 3/4")
69	500098	roll pin (1/4" x 1 1/4")
70	500113	"T" coupling
71	500097	grease fitting
72	500298	ratchet cylinder
	502297	ratchet cylinder seal kit
	500403	hydraulic manifold block
73		Old Style Coupler

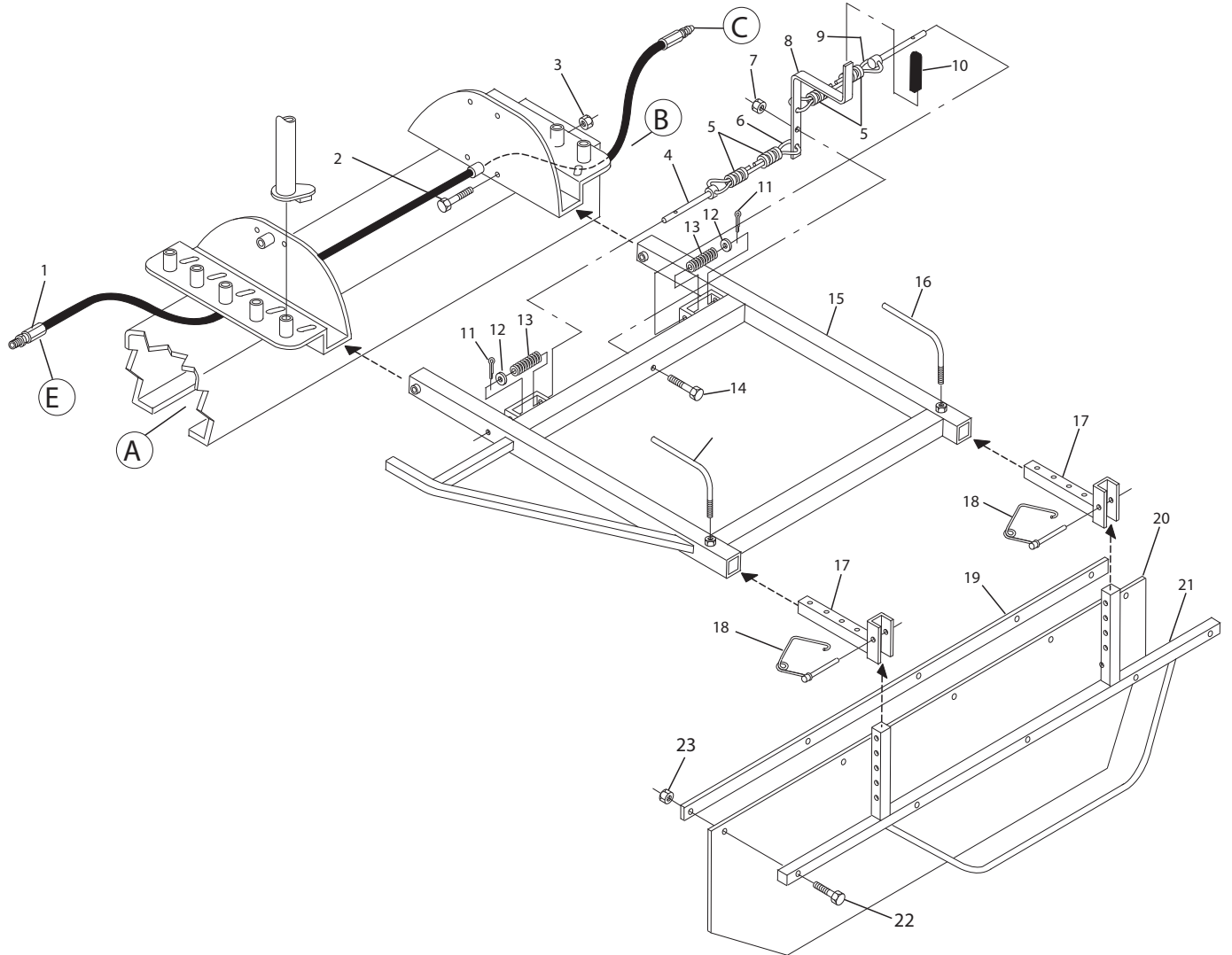
Lower Frame Assembly



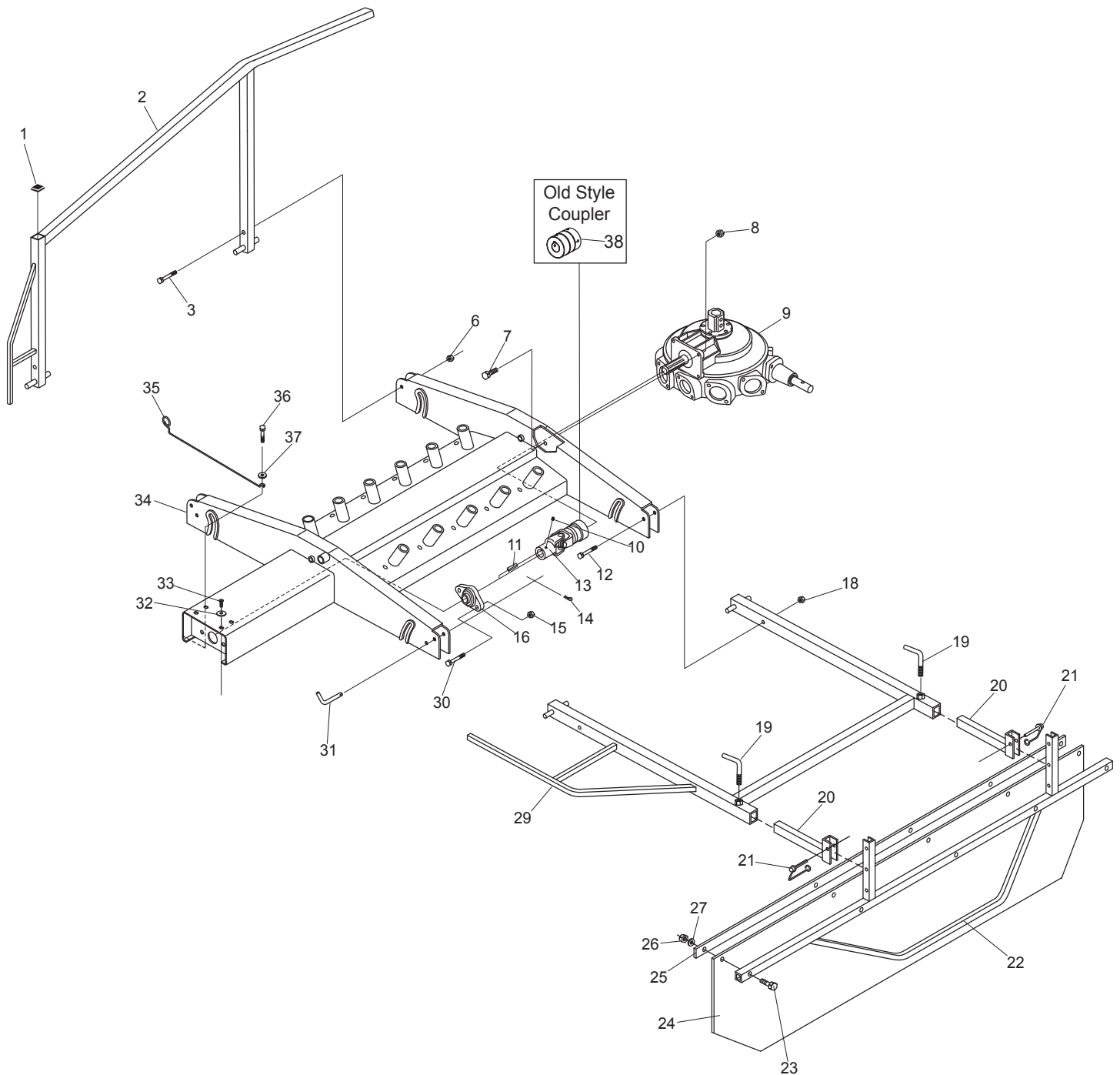
Gearbox & Tine Arm



Guard Assembly, Old Style



Guard Assembly, New Style



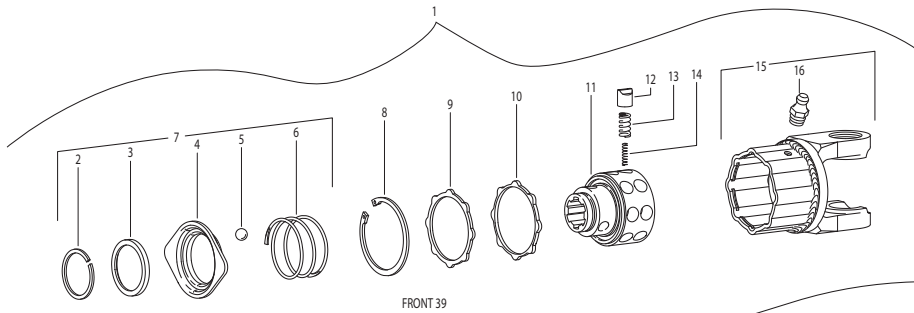
Guard Assembly, New Style

ITEM	DESCRIPTION	PART#
1	Square Plug	500131
2	Right Guard Assembly	503070
3	Bolt, 1/2 x 3-1/2	000480
6	Locknut, 1/2	000950
7	Bolt, M16 x 55	002699
8	M16 Nylon Locknut	002828
9	Complete Gearbox	500226
10	Set Screw, 3/8 x 3/8	001130
11	Key, 5/16 x 1-3/4	500217
12	Bolt, 1/2 x 3-1/2	000480
13	12 Series U-Joint	500268
14	Safety Clip	200011
15	Locknut, 1/2	000950
16	1-3/8 2-Bolt Flange Bearing	500067
18	Locknut, 1/2	000950
19	Curtain Set Bolt	500148
20	Telescoping Tube	500149

ITEM	DESCRIPTION	PART#
21	3/8 Snapper Pin	500158
22	Curtain Mount Assembly	500152
23	Bolt, 1/4 x 1-3/4	000187
24	Hay Curtain	500156
25	Curtain Bar	500155
26	Locknut, 1/4	003001
27	Flat Washer, 1/4	001020
29	Left Guard Assembly	503075
30	Bolt, 1/2 x 1-1/2	000435
31	1/2 x 3 Bent Pull Pin	100330
32	5/16 Fender Washer	001100
33	Bolt, 5/16 x 3/4	000210
34	Tunnel Assembly	500068
35	Hose Support	502288
36	Bolt, 5/16 x 1-1/4	000230
37	Hose Support Washer	502308
38	Old Style Coupler	500403

PTO Shaft

CLUTCH



SHAFT

