

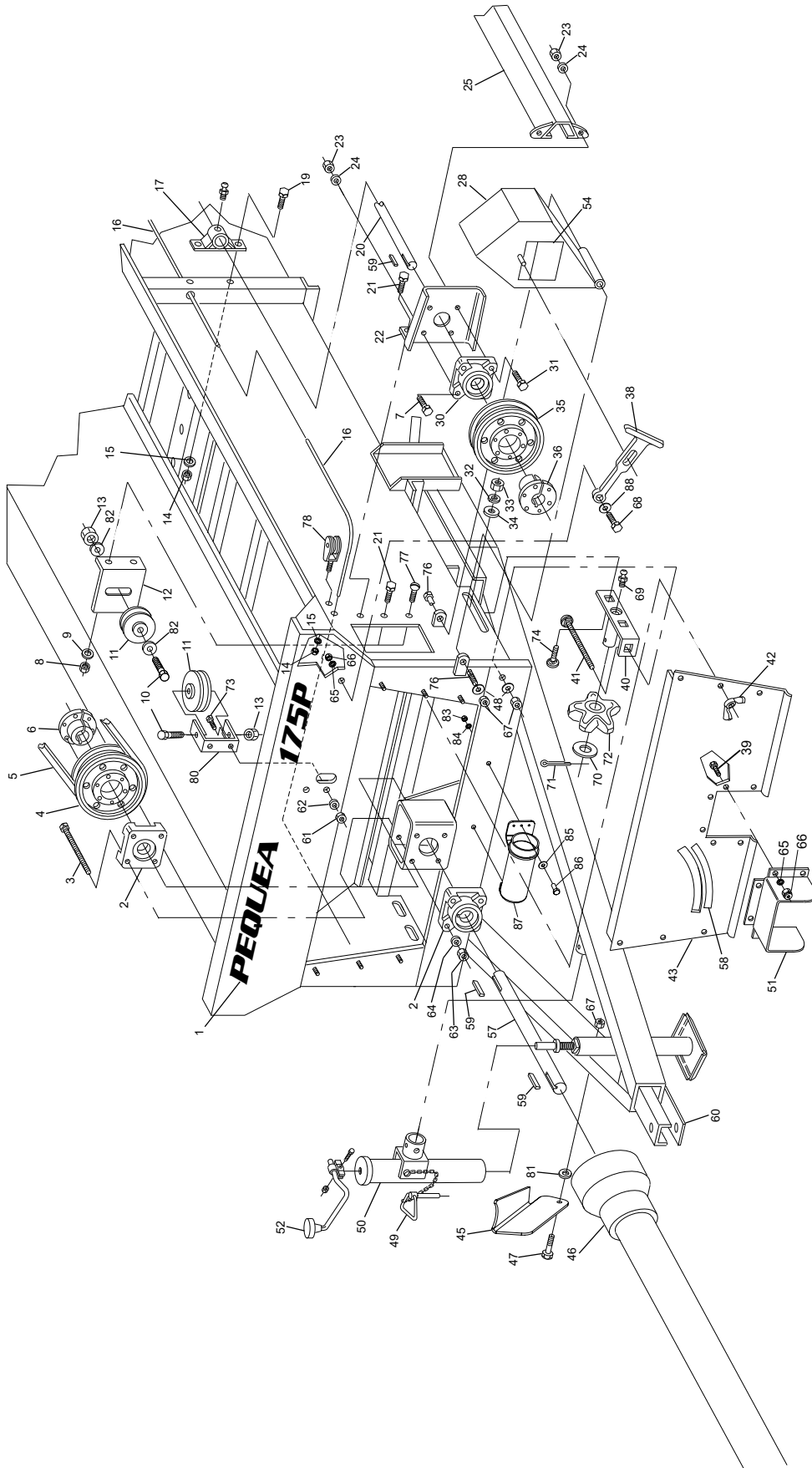


175P Manure Spreader

Illustrated Parts Breakdown

Page 1	Complete Front End
Page 3	PTO/Jack/Hitch Assembly
Page 4	Front Pulley Assembly
Page 5	Idler Pulley Assembly
Page 6	Driveshaft/Side Pulley Assembly
Page 7	Widespread Shaft Assembly
Page 8	Web Chain, Sprocket, Idler
Page 9	Gearbox Shield
Page 10	Axle Assembly
Page 11	Endgate Assembly
Page 12	Shifter
Page 13	Floor
Page 14	Top Beater S/N -91669
Page 15	Top Beater S/N 91669+
Page 16	PTO Shaft
Page 17	Fine Spread Pan
Page 18	Gearbox Assembly

175P Front End

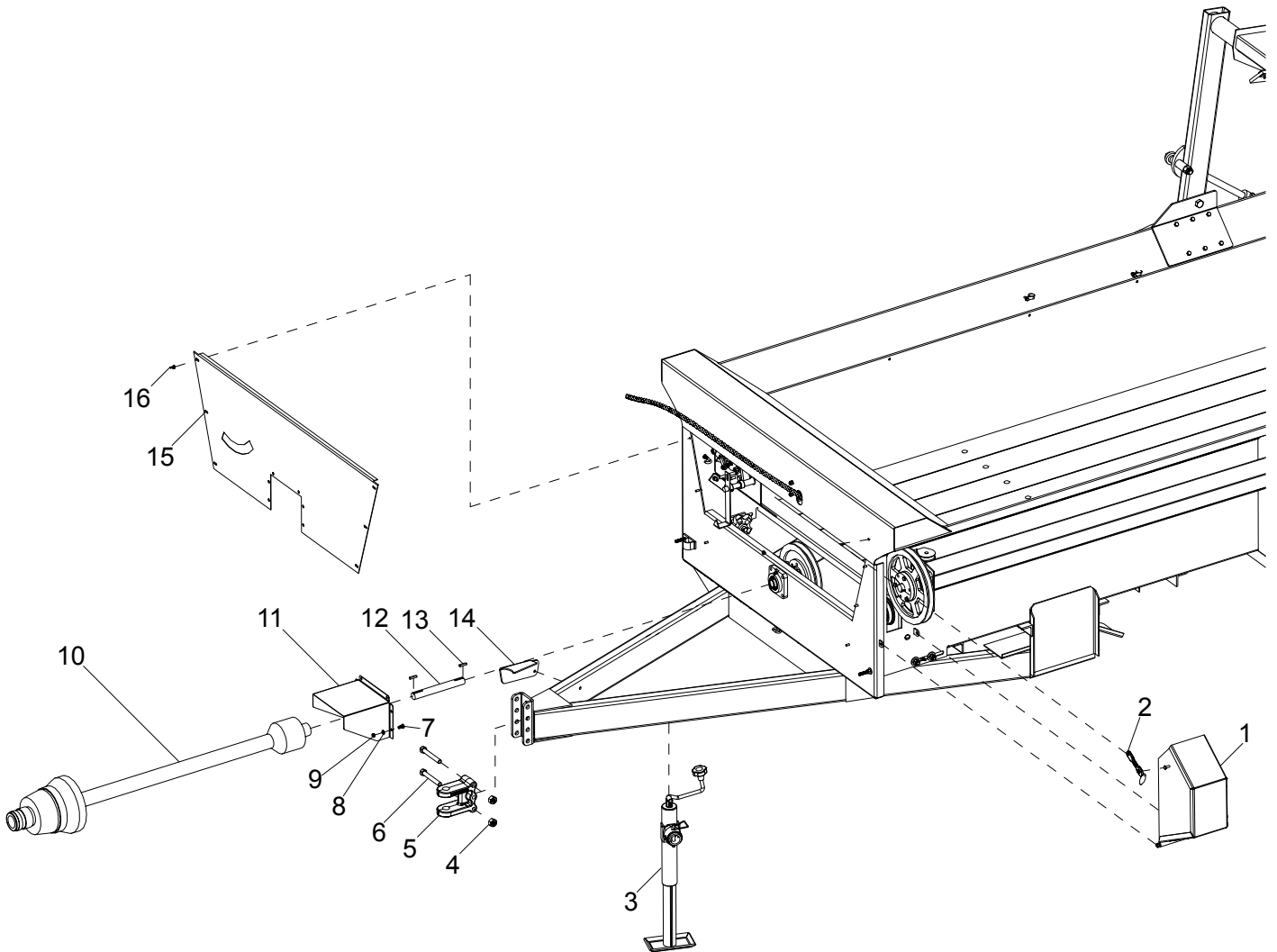


175P Front End

Ref#	Description	Part#
1	Decal Kit, 175P	401668
2	4-Hole Flange Bearing	400104
3	Bolt, 7/16 x 3-1/2	000361
4	Front Pulley	401553
5	Belt, CP-98	403379
6	Pulley Hub	400801
7	1/2-13 X 1-1/2 HH Bolt, Gr.5 Zinc	000435
8	Nut, 1/2	000940
9	Lock Washer, 1/2	000840
10	Bolt, 5/8 x 3	010019
11	Idler Pulley	400103
12	Mounting Bracket, Idler Pulley	400067
13	Locknut, 5/8	000972
14	Nut, 3/8	000915
15	Lock Washer, 3/8	000820
16	175P Shifter Cable	401540
17	Pillow Block Bearing	401690
19	Bolt, 3/8 x 1	000270
20	175P Driveshaft	401564
21	Bolt, 1/2 x 1-1/4	000420
22	Mounting Bracket, Side Pulley	400785
23	Nut, 1/2	000940
24	Lock Washer, 1/2	000840
25	175P Drive Shield Weldment	401551
28	175P Pulley Shield Weldment	401591
30	4-Bolt Flange Bearing	400798
31	1/2-13 X 1-3/4 HH Bolt, Gr.5 Zinc	000445
32	Lock Washer, 1/2	000840
33	Nut, 1/2	000940
34	1/2" USS Flat Washer	001055
35	Side Pulley	401572
36	Pulley Hub	400797
38	Rubber T-Handle	400092
39	5/16-18 X 3/4 Truss Head Bolt,	000210
40	Web Idler Bracket	401079
41	Carriage Bolt, 3/8 x 8	000148
42	Wing Nut, 1/4	000905
43	175P Front Lid	401592

Ref#	Description	Part#
45	PTO Stand	400070
46	Complete PTO Shaft	400715
47	3/8-16 X 1-1/4 H H Bolt, Gr.5 Zinc	000275
48	3/8" USS Flat Washer	001035
49	Pin & Chain	500012
50	Complete Jack	500009
51	PTO Guard	400795
52	Jack Handle w/ Bolt	500010
54	Warning Decal	400178
57	Jack Shaft	400792
58	Locator Decal	400820
59	Key, 1/4 x 1/4 x 1-1/4	400115
60	Clevis Coupler	401543
61	Nut, 3/8	000915
62	Lock Washer, 3/8	000820
63	Nut, 7/16	000935
64	Lock Washer, 7/16	000830
65	Lockwasher, 5/16	000810
66	Nut, 5/16	000910
67	Locknut, 3/8	003000
68	5/16-18 X 1-1/4 HH Bolt, Gr.5 Zinc	000230
69	1/4-28 Straight Long Zerk	400119
70	3/4 X 1-1/4 Machinery Bushing, 14Ga. Zinc	400148
71	Cotter Pin, 5/32 x 1-1/2	001215
72	Front Web Sprocket	400098
73	Bolt, 3/8 x 1	000270
74	Carriage Bolt, 1/2 x 1-1/2	000155
76	Bolt, 3/8 x 7-1/2	000340
77	1/2-13 x 1 Truss Head Bolt,Gr.5 Zinc	000540
78	Cable Pulley	400805
80	Pulley Bracket Assembly	400778
81	3/8" Fender Washer	001105
82	5/8" USS Flatwasher	001075
83	1/4" Nut	000900
84	1/4" Lockwasher	000805
85	1/4" USS Flatwasher	001020
86	1/4" x 1" Hex Bolt	100148
87	Ops Manual Canister	503050
88	5/16 USS Washer, Zinc	001030

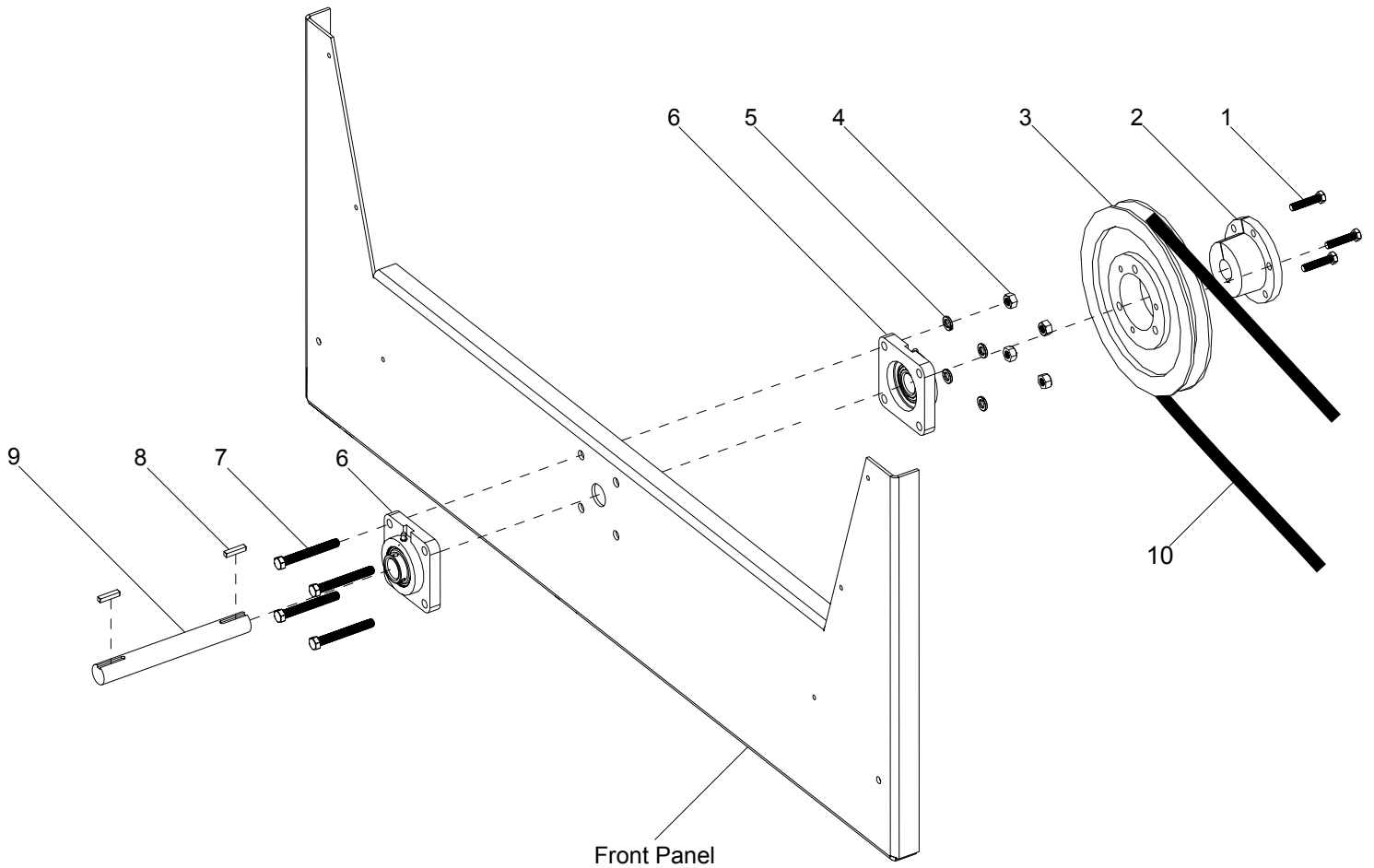
PTO/Jack/Hitch



Ref#	Description	Part#	Qty
1	Side Pulley Shield Assembly	401591	1
2	Rubber Handle	400092	1
3	2K Top Wind Jack	500009	1
4	5/8"-11 Top Lock Nut	900145	2
5	3 Hole Clevis Coupler	507018	1
6	5/8"-11 x 4.5 Hex Head Bolt	000645	2
7	5/16"-18 x 3/4" Truss Head Bolt	000210	6
8	5/16" Lock Washer	000810	6

Ref#	Description	Part#	Qty
9	5/16"-18 Hex Head Nut	000910	6
10	Complete PTO Shaft	400715	1
11	PTO Shield	400795	1
12	Drive Shaft	400792	1
13	1/4" x 1-1/4" Key	400115	2
14	PTO Stand	400070	1
15	Front Lid	401592	1
16	1/4" Wing Nut	000905	6

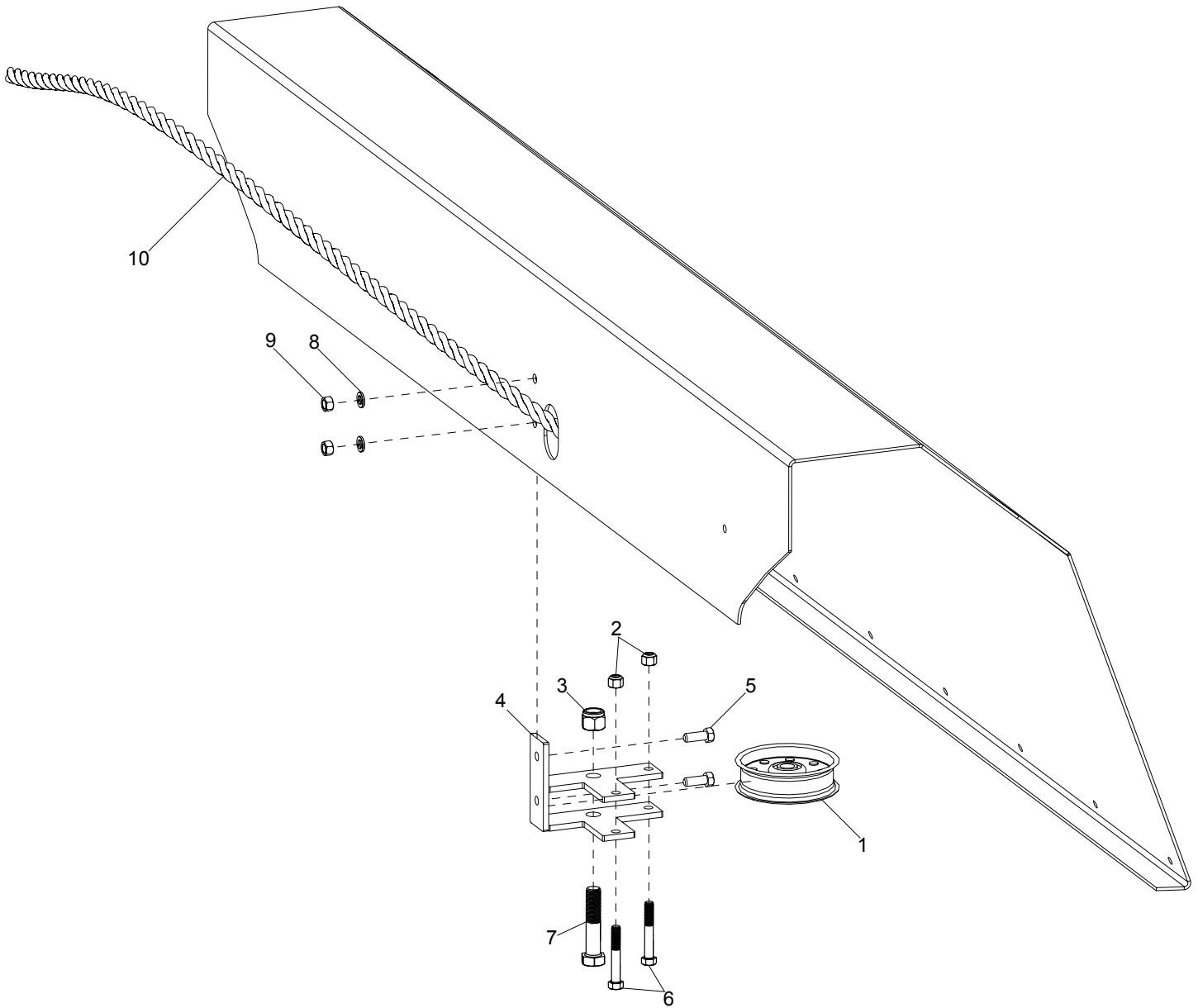
Front Pulley Assembly



Ref#	Description	Part#	Qty
1	3/8"-16 x 1-3/4" Hex Head Bolt	000285	3
2	Front Pulley Hub	400801	1
3	Front Pulley	401553	1
4	7/16"-14 Hex Nut	000935	4
5	7/16 Split Lock Washer	000830	4

Ref#	Description	Part#	Qty
6	1-1/8" 4 Hole Flange Bearing	400104	2
7	7/16"-14 x 1-1/2" Hex Head Bolt	000361	4
8	1/4" x 1-1/4" Key	400115	2
9	Drive Shaft	400792	1
10	Main Drive Belt	403379	1

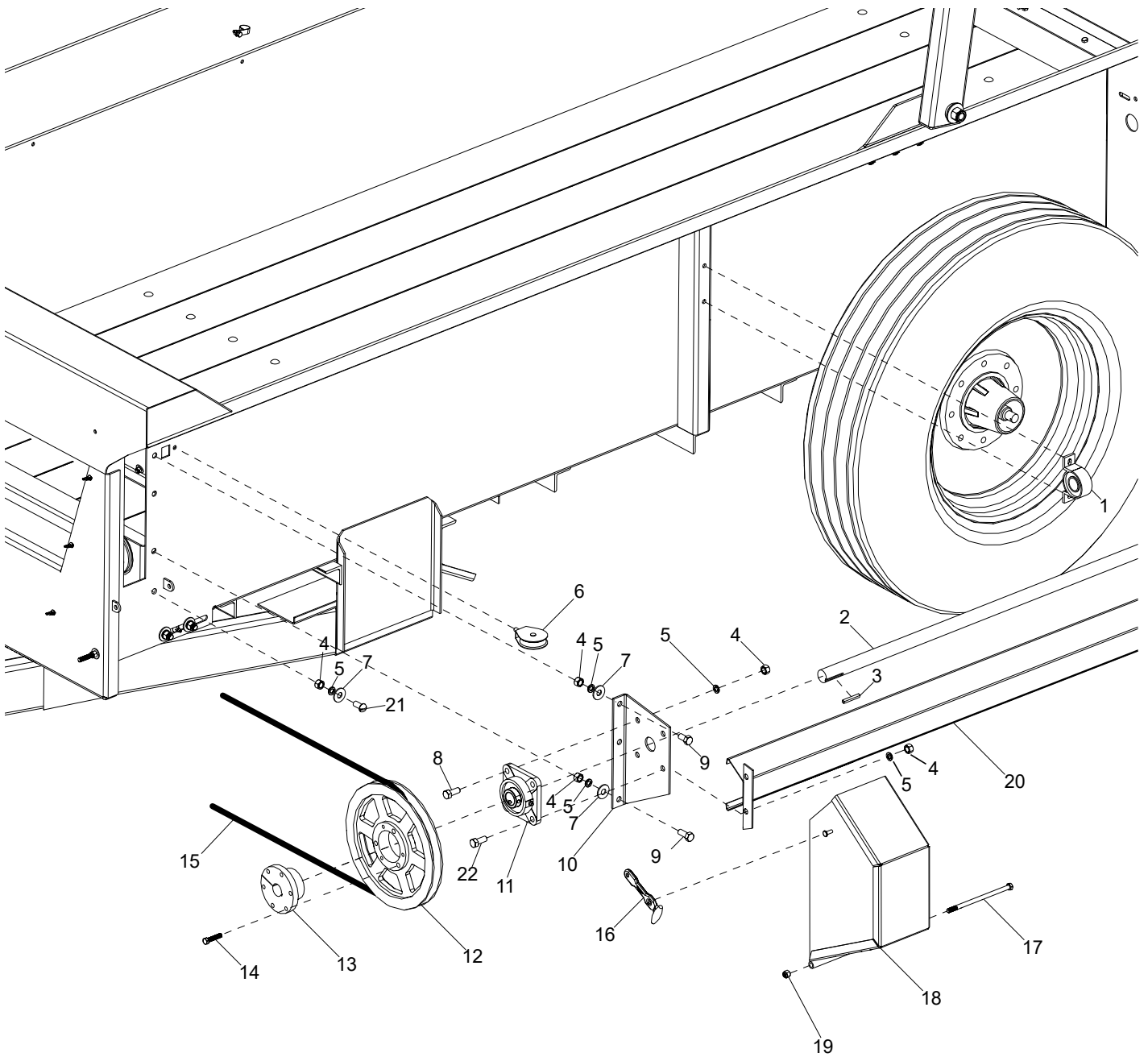
Idler Pulley Assembly



Ref#	Description	Part#	Qty
1	Idler Pulley	400103	1
2	3/8"-16 Nylon Lock Nut	003000	2
3	5/8"-11 Nylon Lock Nut	000972	1
4	Pulley Bracket Assembly	400778	1
5	3/8"-16 x 1"	000270	2

Ref#	Description	Part#	Qty
6	3/8"-16 x 3" Hex Head Bolt	000307	2
7	5/8"-11 x 3" Hex Head Bolt	010019	1
8	3/8" Split Lock Washer	000820	2
9	3/8"-16 Hex Nut	000915	2
10	3/8" Nylon Rope	400806	Length

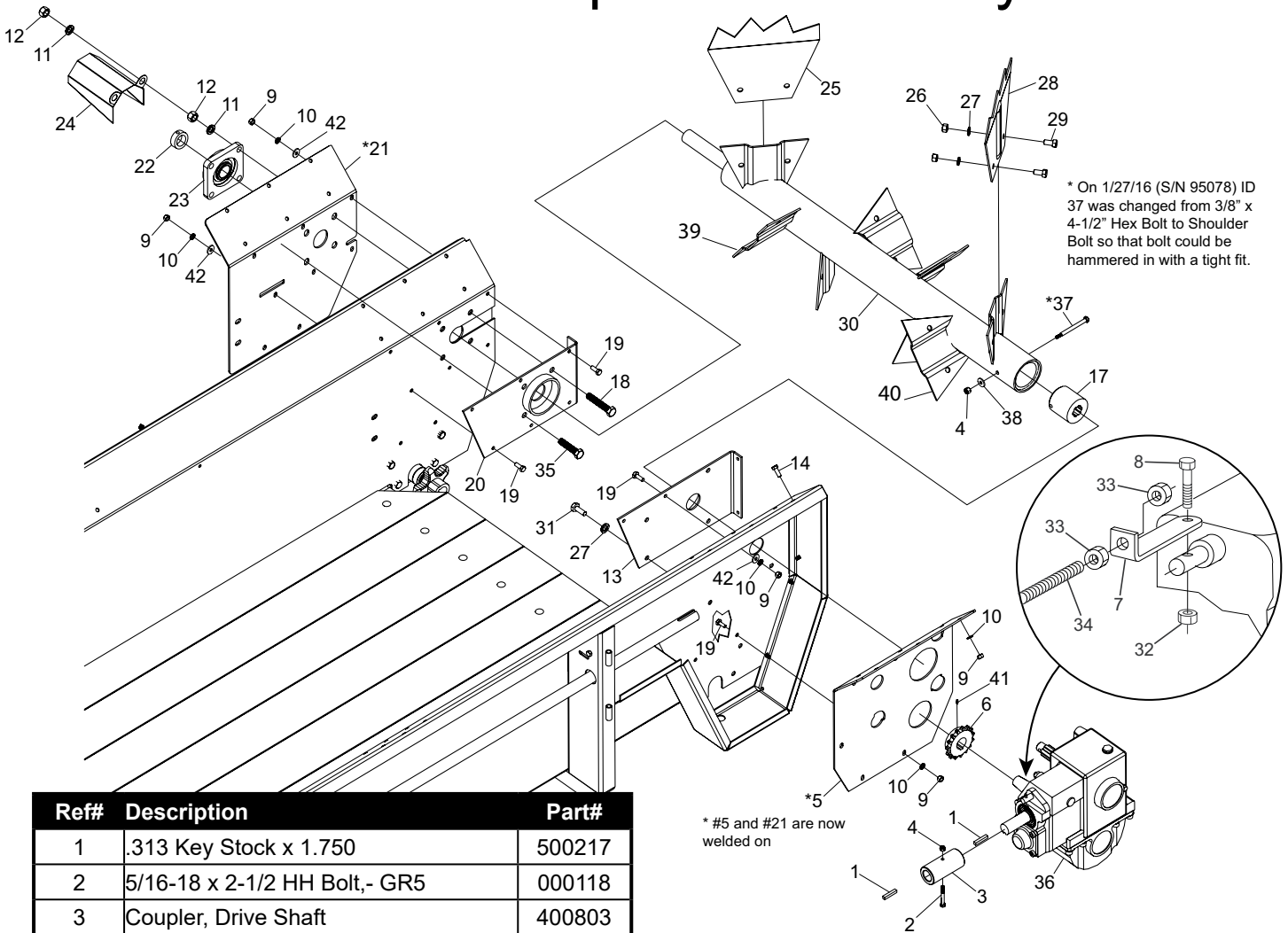
Drive Shaft/Side Pulley Assembly



ID	Part #	Description	Qty
1	401690	1.25" Bearing Housing	1
2	401564	Drive Shaft	1
3	400587	1/4" x 2" Key	1
4	000940	1/2"-13 Hex Nut	8
5	000840	1/2" Split Lock Washer	8
6	400805	Small Pulley	1
7	001055	1/2" USS Flat Washer	4
8	000435	1/2"-13 x 1.5" HHB	2
9	000420	1/2"-13 x 1.25" HHB	3
10	400785	Side Pulley Bracket	1
11	400798	1.25" 4 Bolt Flange Bearing	1

ID	Part #	Description	Qty
12	401572	Side Pulley	1
13	400797	Hub, Side Pulley	1
14	000285	3/8"-16 x 1-3/4" HHB	3
15	403379	Predator Belt, CP-98	1
16	400092	Rubber Handle	1
17	000340	3/8"-16 x 7-1/2" HHB	1
18	401591	Side Pulley Shield	1
19	003000	3/8"-16 Nylon Lock Nut	1
20	401551	Drive Shaft Shield	1
21	000540	1/2-13 X 1 Truss Head Bolt, Gr. 5 Zinc	1
22	000445	1/2"-13 x 1.75" HHB	2

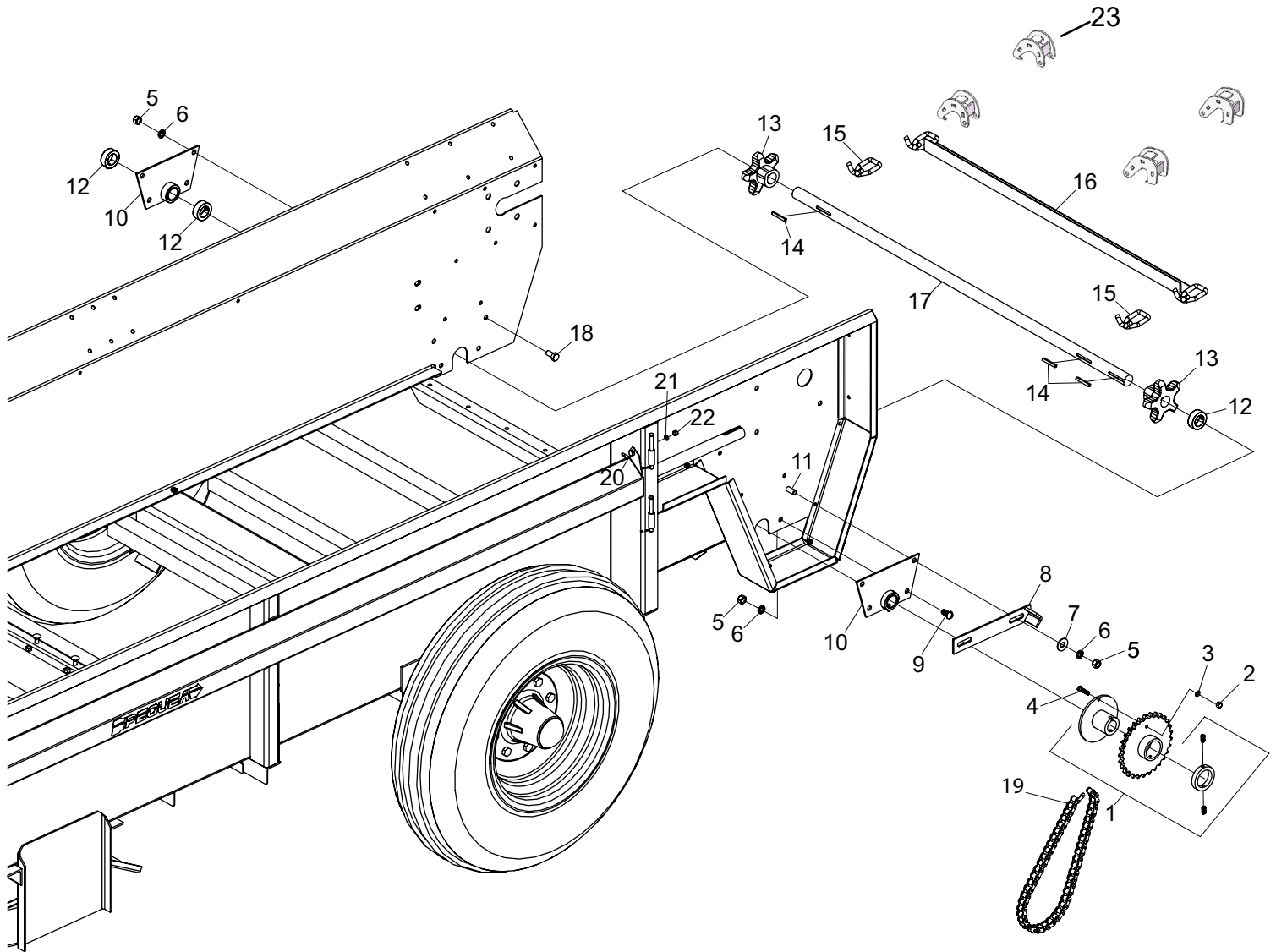
175P Widespread Assembly



Ref#	Description	Part#
1	.313 Key Stock x 1.750	500217
2	5/16-18 x 2-1/2 HH Bolt,- GR5	000118
3	Coupler, Drive Shaft	400803
4	5/16-18 Nylon Lock Nut, Zinc	002999
5	175 Gearbox Plate	403744
6	1-3/8" Bore 15 Tooth Drive Sprocket	400807
7	Gear Shifting Cable Bracket	401348
8	1/4-20 x 1-1/4 HH Bolt, - GR 5	000184
9	3/8-16 Hex Nut, Gr.5 Zinc	000915
10	3/8 Lock Washer, Zinc	000820
11	9/16 Lock Washer, Zinc	000850
12	9/16-12 Hex Nut, Gr.5 Zinc	000965
13	125P Widespread Bearing Bracket	400691
14	3/8" x 7/8" Hex Head Bolt	000250
15	3/8-16 Nylon Lock Nut, Zinc	003000
16	3/8" x 4-1/2" Hex Head Bolt	000325
17	Widespread Pipe Splined Hub	403784
18	9/16-12 x 2-1/2 Hex Head Bolt	000602
19	3/8-16 x 1-1/4 H Head Bolt, Gr.5 Zinc	000275
20	125P Widespread Bracket	400688
21	Right Rear Supporting Plate	403743
22	1.500 Plated Shaft Collar	101044
23	1-1/2" 4 Hole Flange Bearing	400810

Ref#	Description	Part#
24	Widespread Shaft Shield	401329
25	Widespread Paddle, Right	401571
26	1/2-13 Hex Nut, Gr.5 Zinc	000940
27	1/2 Lock Washer, Zinc	000840
28	Widespread Paddle, Left	400790
29	1/2-13 x 1 Hex Head Bolt, Gr.5 Zinc	000405
30	Widespread Shaft Assembly,- 175P	401546
31	M12-1.75 x 30 Hex Head Bolt, Zinc	002530
32	1/4-20 Nylon Lock Nut, Zinc	003001
33	5/16 Fine Thread Hex Nut Zinc	001115
34	Gear Shifting Cable, 162"	400804
35	9/16-12 x 2 Hex Head Bolt	000578
36	Gear Box	400100
37	3/8" x 4" Shoulder Bolt 5/16" Thread	403805
38	5/16 USS Flat Washer Zinc	001030
39	Mounting Bracket, Right Paddle	401640
40	Mounting Bracket, Left Paddle	401547
41	1/4-28 Spin-Drive Grease Zerk	400117
42	3/8 USS Flat Washer, Zinc	001035

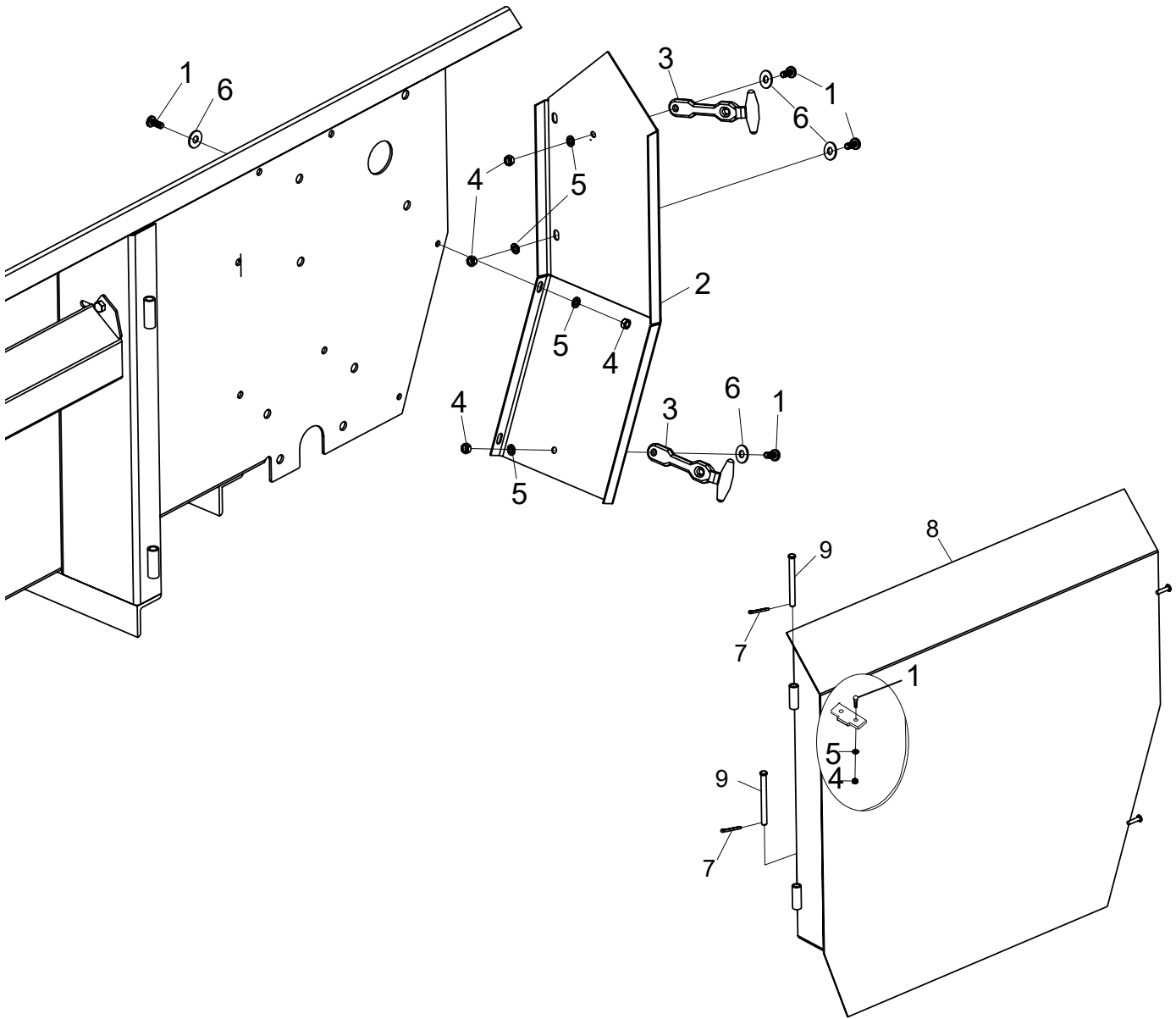
175P Web Chain, Sprocket and Idler



Ref#	Description	Part#
1	Ø 1.25 6029 Bore Sprocket	400808
2	5/16-18 Hex Nut, Gr.5 Zinc	000910
3	5/16 Lock Washer, Zinc	000810
4	5/16 x 1-1/4 Hex Head Bolt, Gr.5	000230
5	1/2-13 Hex Nut, Gr.5 Zinc	000940
6	1/2 Lock Washer, Zinc	000840
7	1/2 USS Flat Washer, Zinc	001055
8	Web Chain Idler Weld Assembly	400712
9	1/2" x 1" Truss Head Bolt	000540
10	Web Bearing Weld Assembly	400694
11	1/2-13 x 1-1/4 Hex Head Bolt,	000420
12	1.250 Plated Shaft Collar	401476

Ref#	Description	Part#
13	125P Rear Web Sprocket	400944
14	.250 Key Stock x 2.000	400587
15	#67 T-Rod Link,- (Black)	400086
16	175P Web Slat Weldment	401562
17	Web Shaft, 1-1/4" x 58-7/8"	401554
18	1/2"x 1" Hex Head Bolt	000405
19	Web Chain	400809
20	3/8-16 X 7/8 H. H. Bolt, Gr.5 Zinc	000250
21	3/8 Lockwasher, Zinc	000820
22	3/8 Hex Nut, Gr.5 Zinc	000915
23	Ratchet Tool for Spreader Floor	KITSP2

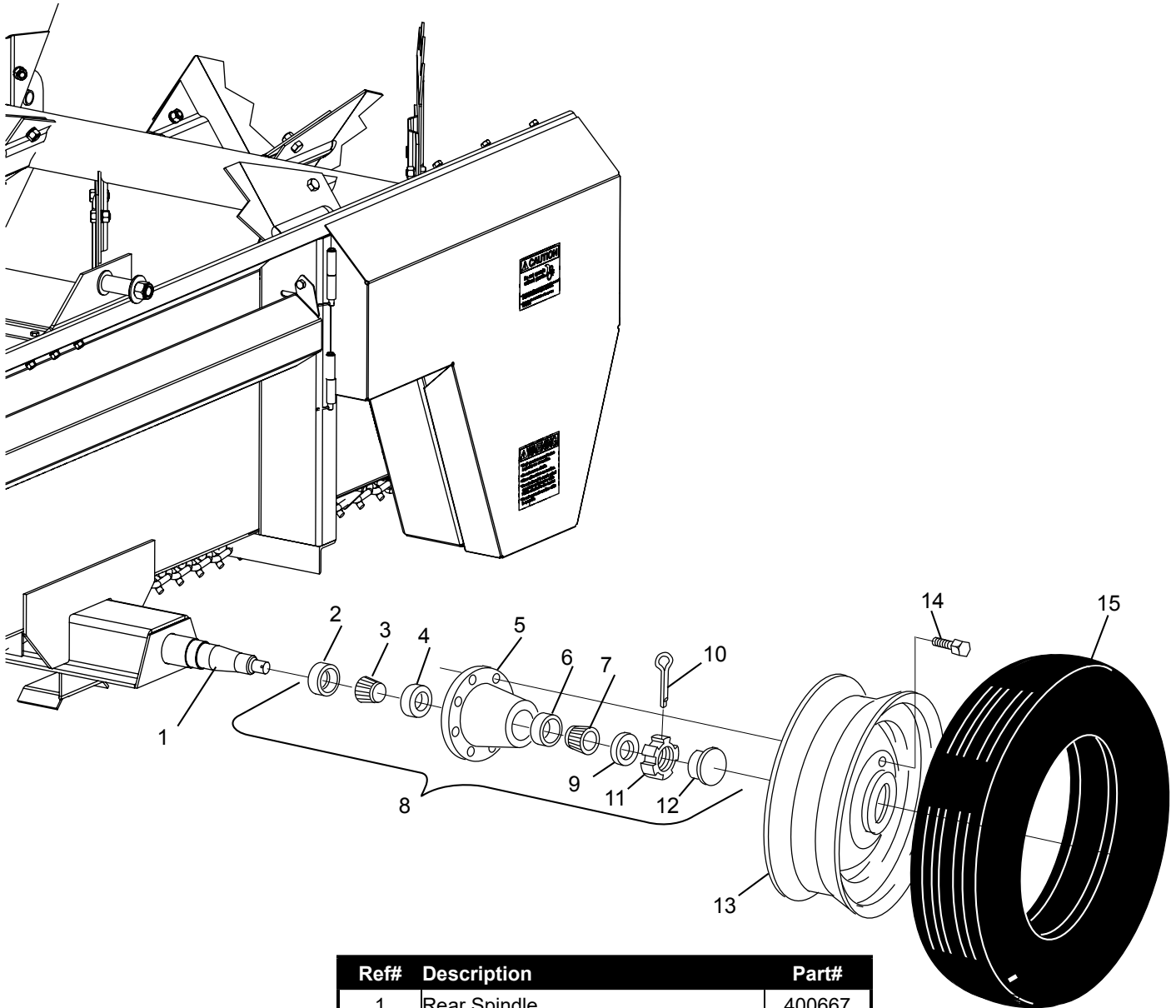
175P Gearbox Shield



Ref#	Description	Part#
1	5/16-18 x 1-1/4 Hex Head Bolt, Zinc	000230
2	175P Gearbox Back Shield	401587
3	Rubber Latch	400092
4	5/16-18 Hex Head Nut	000910
5	5/16-18 Lock Washer	000810

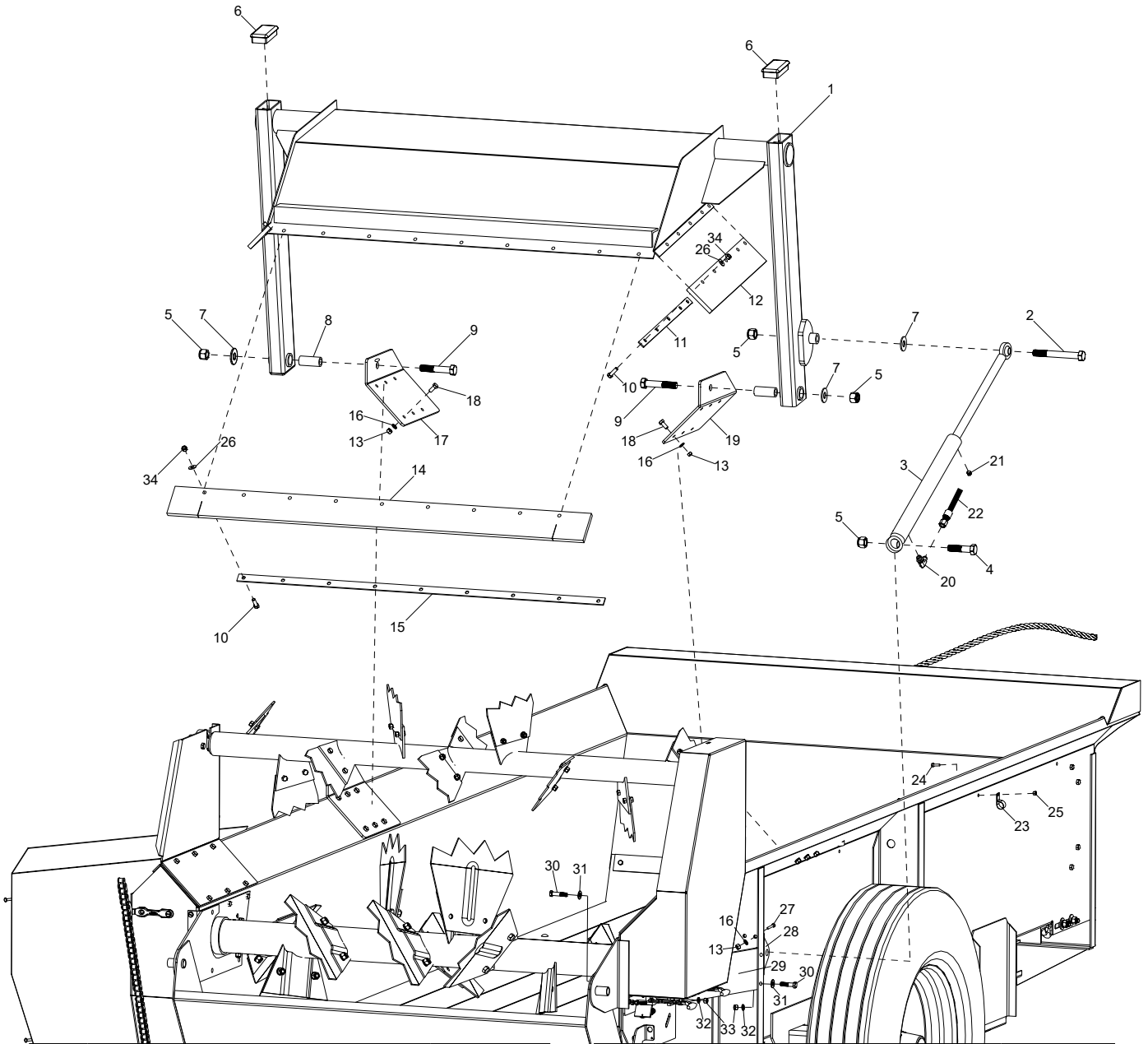
Ref#	Description	Part#
6	5/16 USS Washer	001030
7	1/8 x 1 Cotter Pin Zinc	001210
8	175P Gearbox Back Shield	401586
9	Pin, Hinge Pin	401523

175P Axle Assembly



Ref#	Description	Part#
1	Rear Spindle	400667
2	Inner Seal	300500
3	Inner Bearing	300553
4	Inner Race	300551
5	Hub Only	300550
6	Outer Race	300552
7	Outer Bearing	300554
8	Complete Hub	300549
9	Spindle Washer	300283
10	Cotter Pin, 5/32 x 1-1/4	300282
11	Castle Nut	300281
12	Hub Cap	300555
13	16 x 8 8-Bolt Yellow Rim	400542
14	Lug Bolt	300556
15	Truck Tire (10.00 R20 Recap)	401705

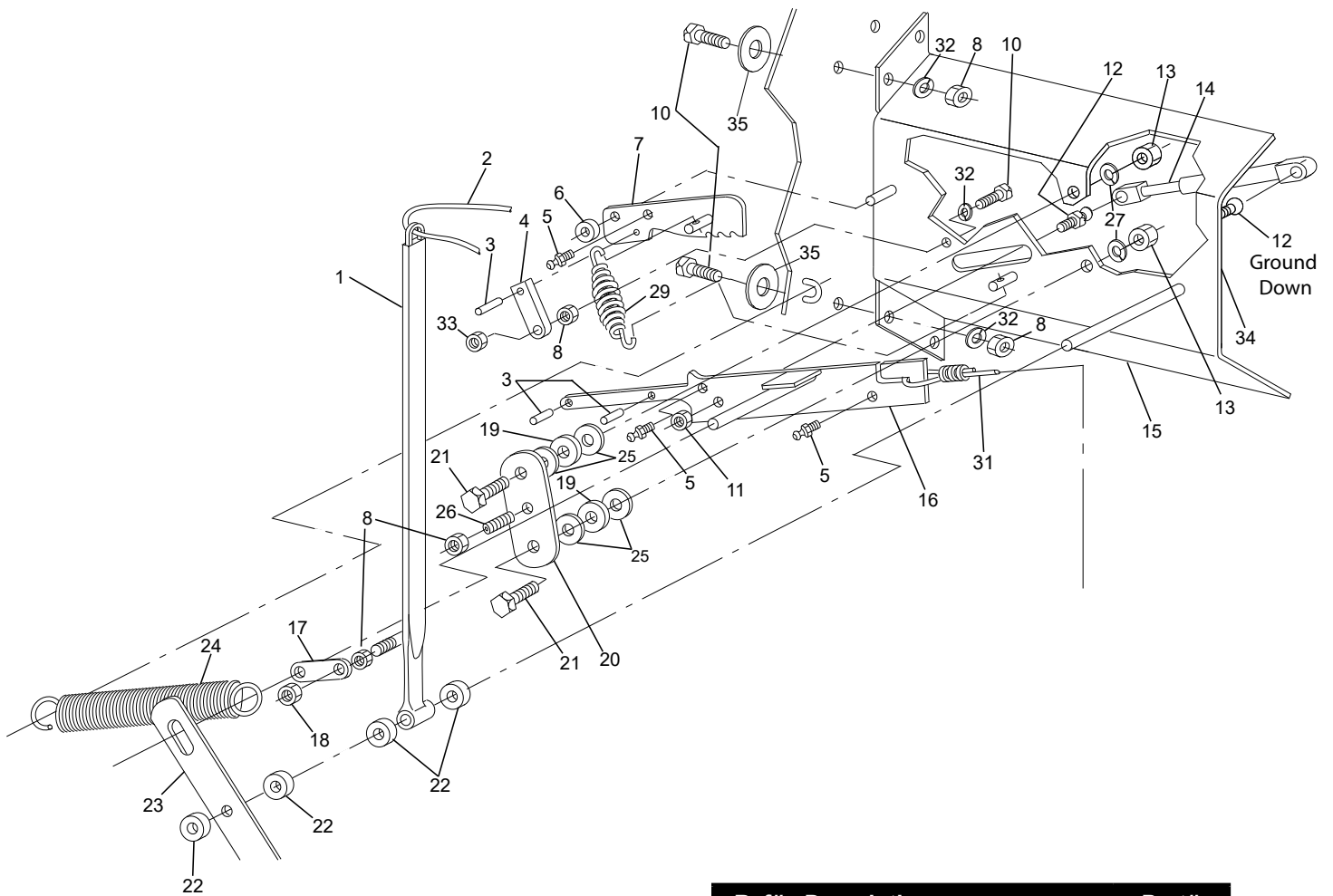
175P Endgate Assembly S/N 90006+



ID	Description	Part #
1	175 Endgate Weldment	403745
2	3/4"-10 x 6-1/2" HHB	000766
3	1.5" Endgate Cylinder	403757
4	3/4"-10 x 3" HHB	000715
5	3/4"-10 Nylon Locknut	000990
6	Rubber End Cap	502276
7	3/4" SAE Flat Washer	001086
8	Endgate Arm Bushing	403005
9	3/4"-10 x 4-1/4" HHB	000741
10	3/8"-16 x 1.25" HHB	000275
11	Side Rubber Clamp	403006
12	Endgate Side Seal	403018
13	3/8"-16 Nut	000915
14	Back Seal	403017
15	Back Rubber Clamp	403012
16	3/8" Split Lock Washer	000820
17	Left Endgate Bracket	403011
18	3/8"-16 x .875" HHB	000250

ID	Description	Part #
19	Right Endgate Bracket	403010
20	90 Degree Fitting	403771
21	Breather Plug	403806
22	222" Hose	403022
23	Wire Loom Clamp	403045
24	1/4" x 3/4" Hex Head Bolt	000175
25	1/4" Nylon Locknut	003001
26	3/8 USS Flat Washer	001035
27	3/8-16 X 1 Hex Head Bolt, Gr.5	000270
28	Cylinder Bracket Mount Weld Assembly	403579
29	175-250 Rear Brace	403758
30	1/2-13 X 1-1/2 Hex Head Bolt, Gr.5 Zinc	000435
31	1/2" SAE Flat Washer	001061
32	1/2" Lock Washer, Zinc	000840
33	1/2"-13 Hex Nut, Gr.5 Zinc	000940
34	3/8"-16 Lock Nut	003000

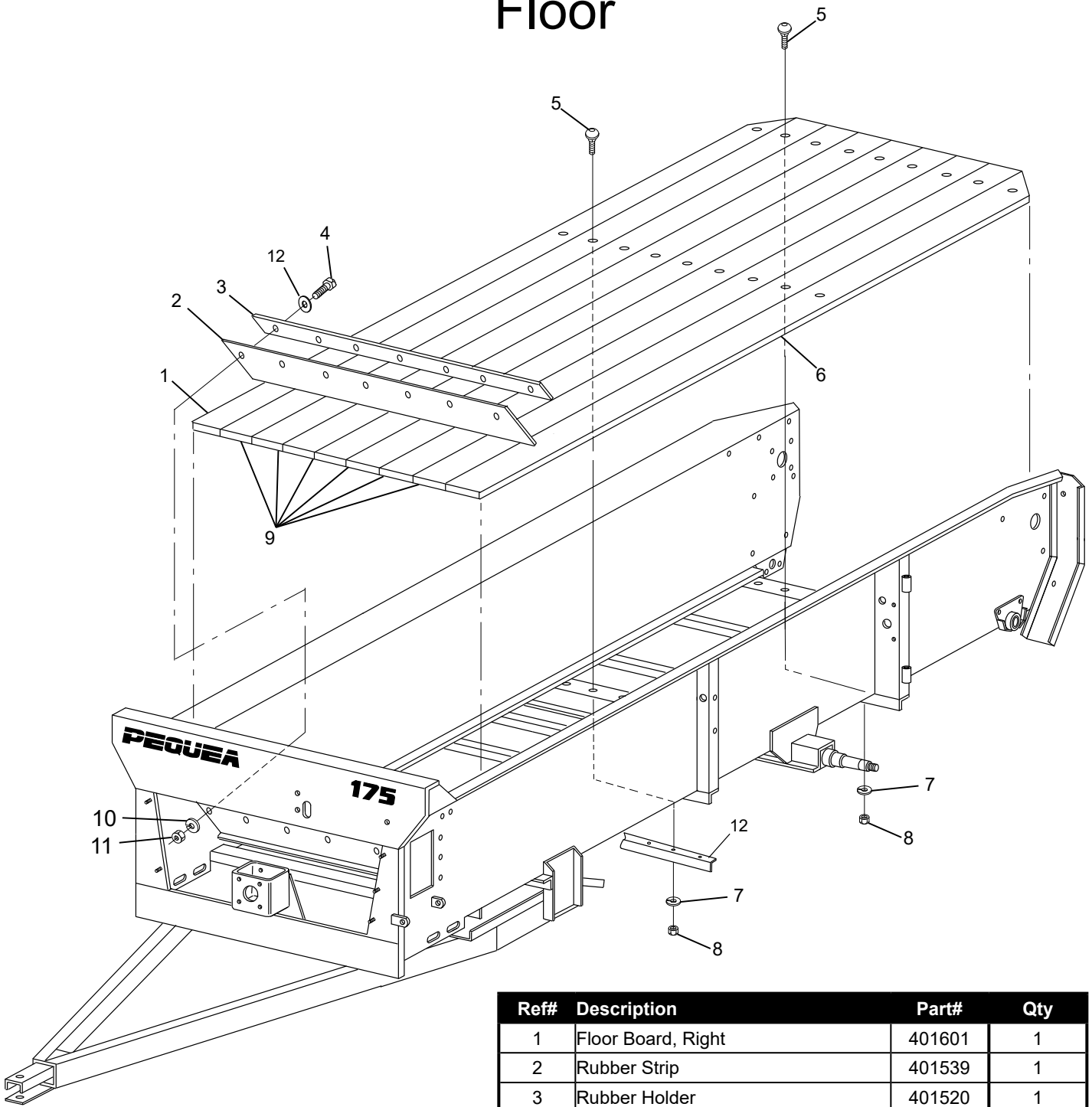
Shifter



Ref#	Description	Part#
1	Control Arm Assembly	400746
2	Gear Shifter Rope	400806
3	Roll Pin, 1/4" x 5/8"	400755
4	Lifter Arm	400760
5	Grease Fitting	400118
6	3/8" Shaft Collar	400776
7	Gear Locating Assembly	400756
8	Nut, 3/8	000915
9	Bolt, 3/8 x 1	000270
10	Bolt, 3/8 x 1-1/4	000275
11	Nut, 5/16	000910
12	Ball Stud	401013
13	Nut, 1/2	000940
14	Gas Spring	400764
15	Shifter Mounting Plate	401010
16	Shift Arm Assembly	400751

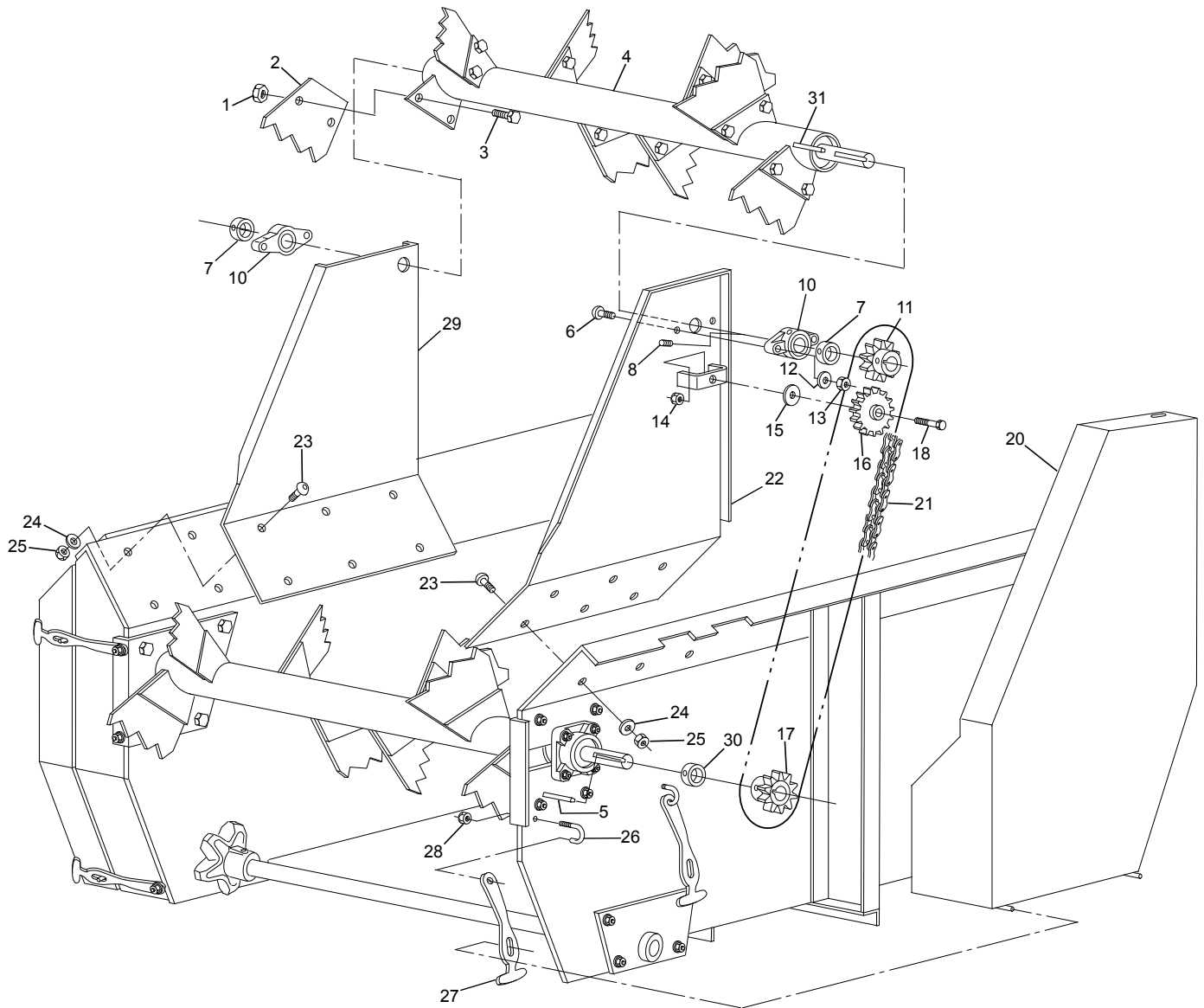
Ref#	Description	Part#
17	Shifter Linkage	400762
18	Locknut, 3/8	003000
19	Bearing, Shifter Arm	400765
20	Guide Plate	400761
21	Bolt, 1/2 x 1-1/2	000435
22	3/4" Shaft Collar	502122
23	Indicator	400763
24	Extension Spring	400404
25	Flat Washer, 3/8	001035
26	Brass Tip Set Screw, 3/8 x 1	400766
27	1/2" Lock Washer, Zinc	000840
29	Extension Spring	400116
31	Shifter Cable	401540
32	3/8" Lockwasher	000820
33	3/8" Jam Nut	000920
34	Gear Shifting Mounting Plate Weldment	400759
35	3/8" USS Flat Washer	001035

Floor



Ref#	Description	Part#	Qty
1	Floor Board, Right	401601	1
2	Rubber Strip	401539	1
3	Rubber Holder	401520	1
4	Bolt, 5/16 x 1-1/4"	000230	7
5	Carriage Bolt, 3/8 x 1-1/2	000151	18
6	Floor Board, Left	401600	1
7	Lock Washer, 3/8	000820	18
8	Nut, 3/8	000915	18
9	Floor Board, Main	401599	7
10	5/16" Lock Washer	000810	7
11	5/16" Hex Nut	000910	7
12	Floating Floor Hold Down Plate	401641	1
13	5/16 USS Washer, Zinc	001030	7

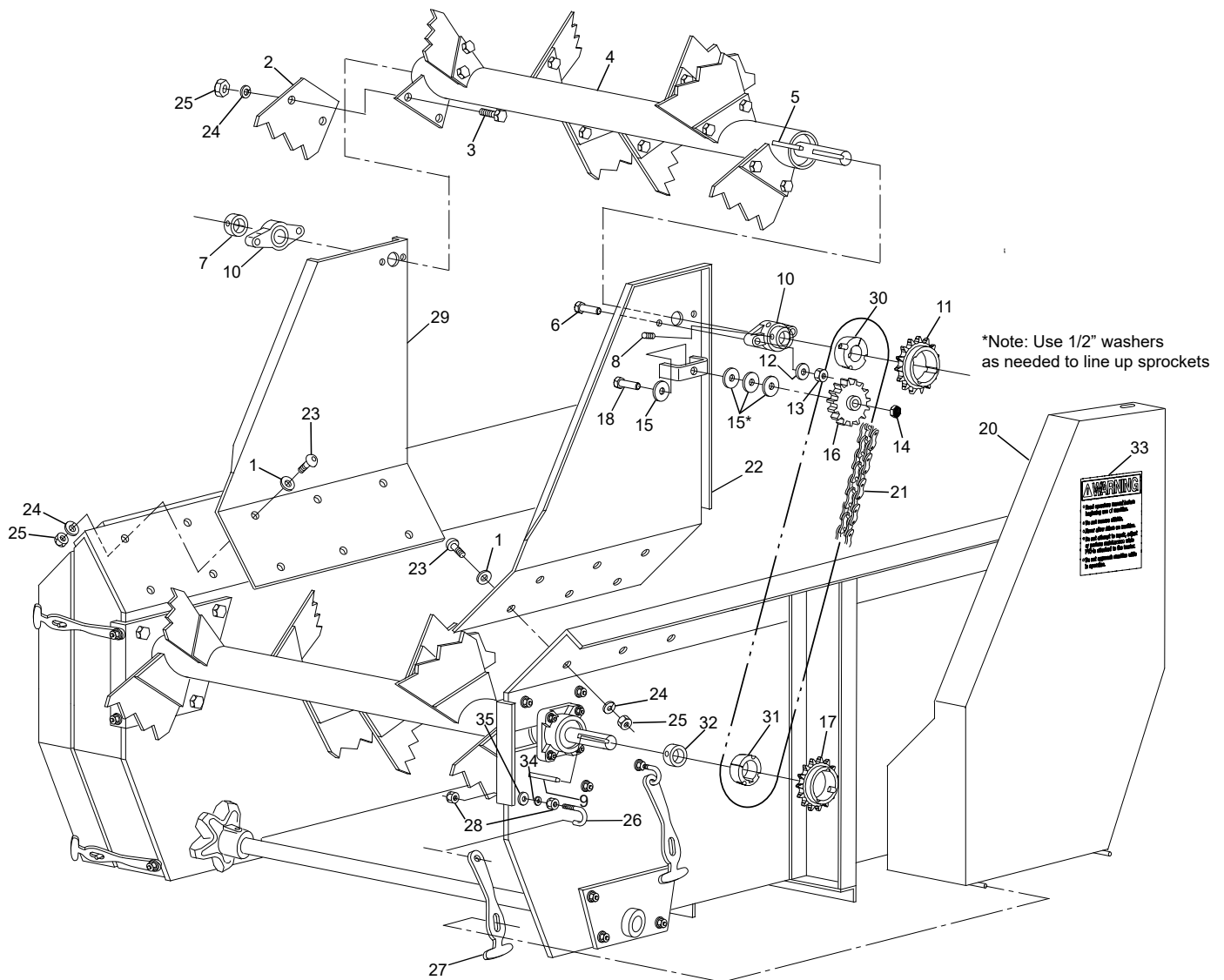
Top Beater S/N -91669



Ref#	Description	Part#
1	Nut, 3/8	000915
2	Beater Paddle	400858
3	Bolt, 3/8 x 7/8	000250
4	Top Beater Assembly	401617
5	Key, 1/4 x 1/4 x 1-1/4	400115
6	3/8" x 1 1/4" Hex Head Bolt	000275
7	1-1/8" Shaft Collar	400144
10	Flange Bearing	400855
11	Beater Sprocket	400105
12	Lock Washer, 1/2	000840
13	Nut, 1/2	000940
14	Nylon Jam Nut, 1/2	000752
15	Flat Washer, 1/2	001055
16	Idler Sprocket	400399

Ref#	Description	Part#
17	Beater Sprocket	400400
18	Bolt, 1/2 x 1-3/4	000445
20	Top Beater Shield	400846
21	Drive Chain	400854
22	Mounting Bracket, Right	400850
23	Bolt, 3/8 x 7/8	000250
24	Lock Washer 3/8	000820
25	Nut, 3/8	000915
26	5/16-18 J-Bolt,-(Zinc Plated	400147
27	Rubber T-Handle	400092
28	Nut, 3/8	000915
29	Mounting Bracket, Left	400851
30	1-1/2" Shaft Collar	101044
31	3/8" x 1-1/2" Key	401580

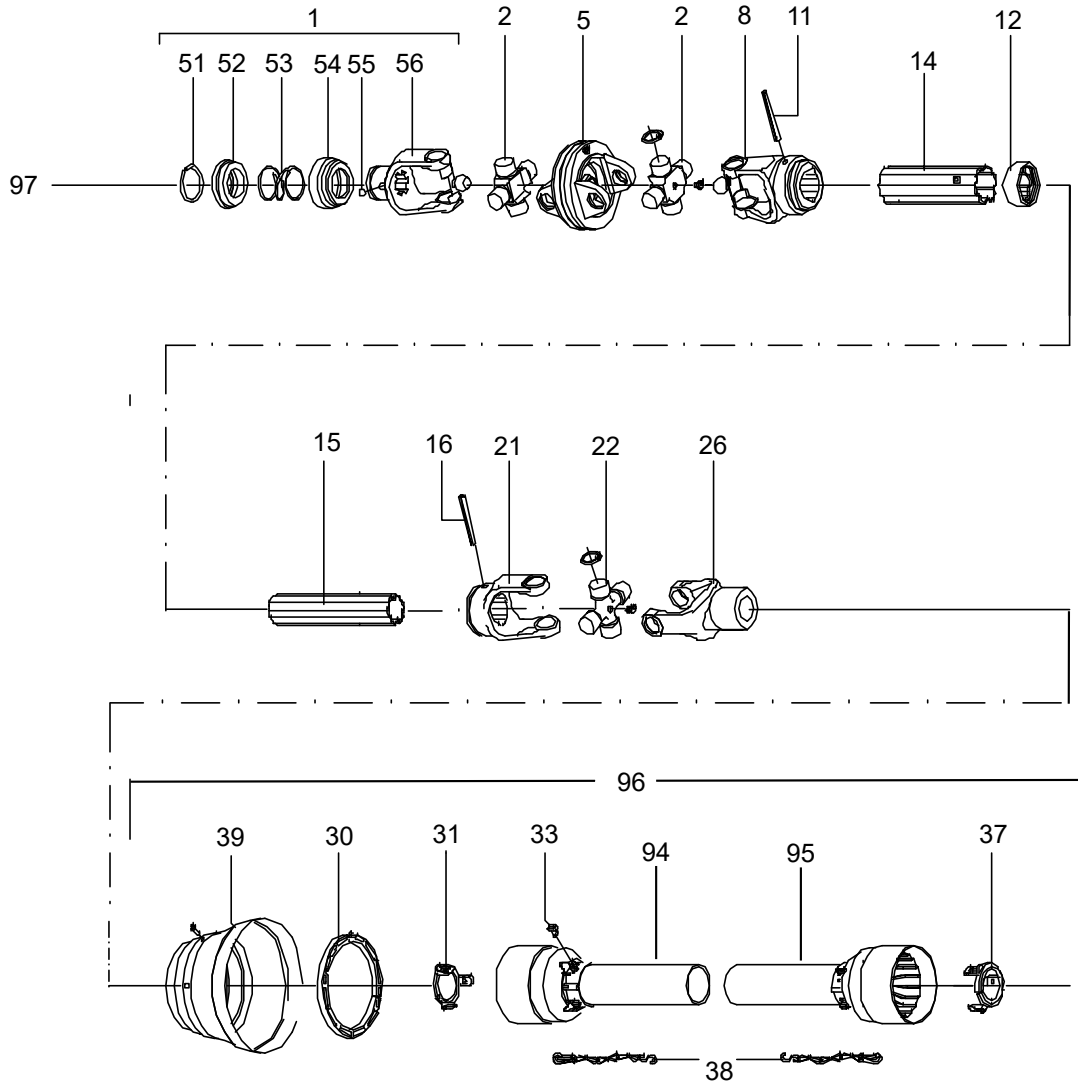
Top Beater S/N 91669+



Ref#	Description	Part#
1	3/8 USS Flat Washer, Zinc	001035
2	Beater Paddle	400858
3	Bolt, 3/8 x 7/8	000250
4	Top Beater Assembly	401617
5	Key, 1/4 x 1/4 x 1	400114
6	7/16" x 1 1/2" Hex Head Bolt	000360
7	1-1/8" Shaft Collar	400144
8	1/4-28 X 1/4 Coned Set Screw	001111
9	Key, 3/8 x 3/8 x 1 1/2	401580
10	Flange Bearing	400855
11	Beater Sprocket	403767
12	Lock Washer, 7/16	000830
13	Nut, 7/16	000935
14	Nylon Jam Nut, 1/2	000752
15	Flat Washer, 1/2	001055
16	Idler Sprocket	400399
17	Beater Sprocket	403767

Ref#	Description	Part#
18	Bolt, 1/2 x 1-3/4	000445
20	Top Beater Shield	401616
21	Drive Chain	403770
	175 Top Beater Mount Weld Assembly, Right	401615
22		
23	Bolt, 3/8 x 1-1/4	000275
24	Lock Washer 3/8	000820
25	Nut, 3/8	000915
26	Nut, 5/16"	000910
27	Rubber T-Handle	400092
28	Nut, 3/8	000915
29	Mounting Bracket, Left	401612
30	1-1/8" Taper Lock Bushing	403769
31	1-1/2" Taper Lock Bushing	403768
32	1-1/2" Shaft Collar	101044
33	Warning *Read Oper...* Decal	400178
34	5/16 Lockwasher, Gr.5 Zinc	000810

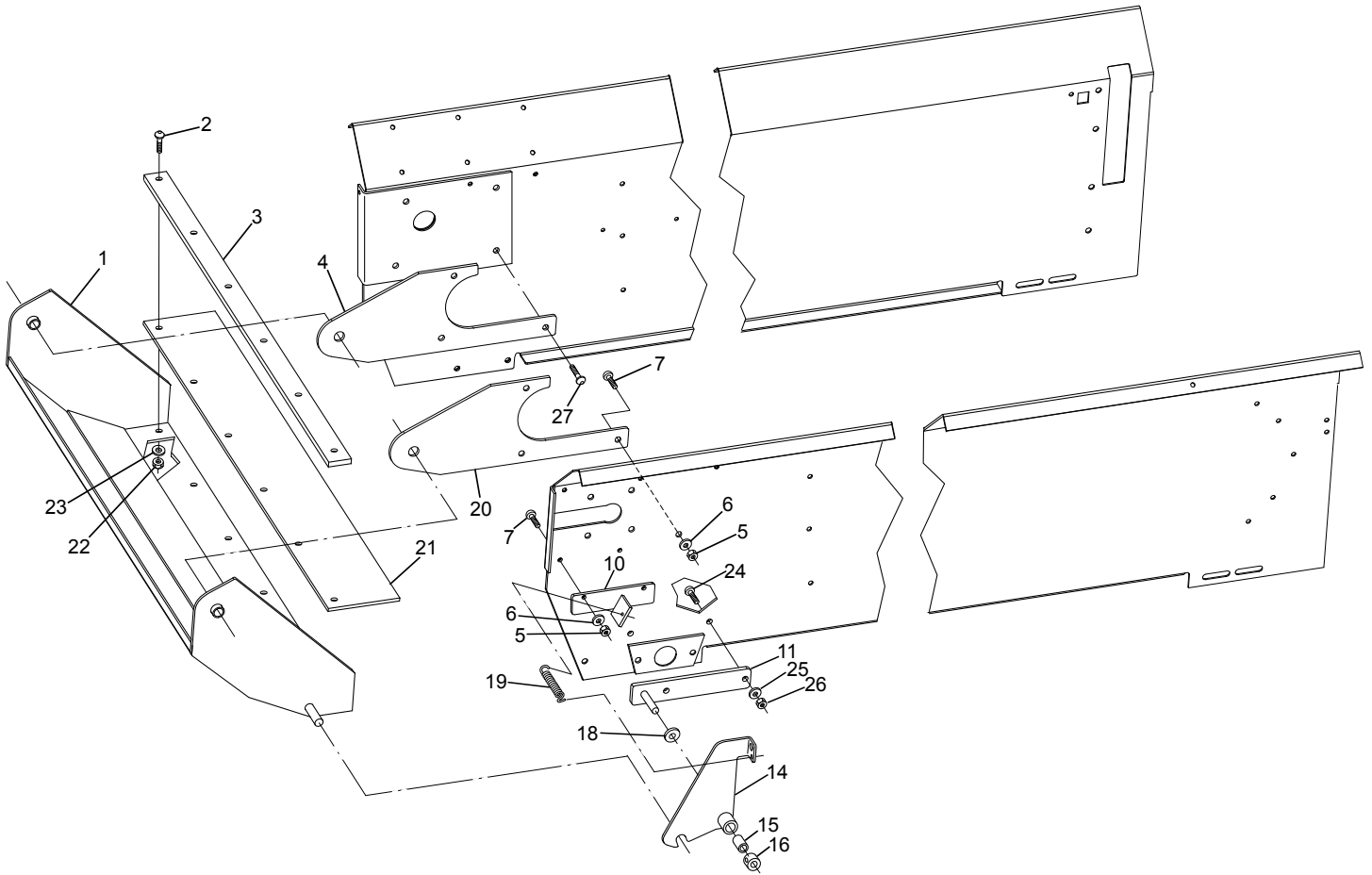
PTO Shaft



Ref#	Description	Part#
1	Collar Yoke for CV-Joint	400717
2	Cross Journal Set	400718
5	Double Yoke	400719
8	Outer Yoke	400720
11	Roll Pin, Outer Tube	400722
12	Wiper	400725
14	Outer Tube	400721
15	Inner Tube	400739
16	Roll Pin, Inner Tube	400741
21	Inner Yoke	400738
22	Cross Journal Set	400737
26	Implement Yoke	400736
30	Shield Bearing	400723
31	Outer Shield Bearing	400726

Ref#	Description	Part#
33	PTO Shield Screw	400730
37	Inner Shield Bearing	400742
38	Safety Chain	400729
39	CV Shield w/ Bearing	400767
51	Outer Clip	400727
52	Sliding Sleeve Collar	400728
53	Spring	400731
54	Fixed Sleeve	400732
55	Ball, 1/2"	400743
56	Yoke, CV-Joint	400744
94	Female Half Guard	400724
95	Male Half Guard	400740
96	Complete Shield Kit	503115
97	Complete PTO Shaft	400715

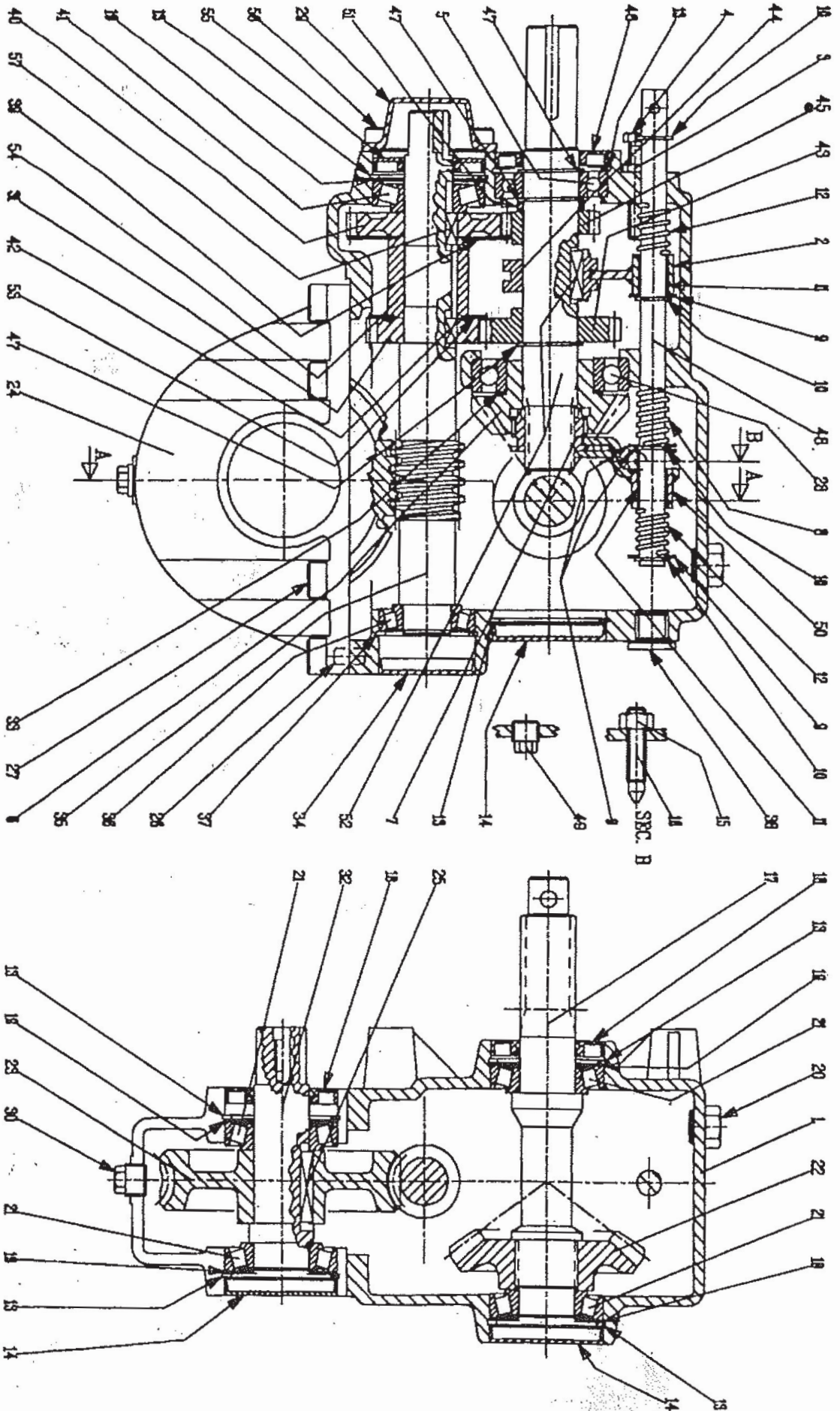
Fine Spread Pan



Ref#	Description	Part#
1	Fine Spread Pan	401633
2	Bolt, 5/16 x 1	000221
3	Rubber Strip Clamp	401520
4	Pan Hinge, Left	400823
5	Nut, 3/8	000915
6	Lock Washer, 3/8	000820
7	Bolt, 3/8 x 1-1/2	000280
10	Latch Stop	400831
11	Latch Hinge	400834
14	Latch	400895
15	Bushing, Latch	700081

Ref#	Description	Part#
16	5/8" Shaft Collar	400856
18	Flat Washer, 5/8	001076
19	Extension Spring	400116
20	Pan Hinge, Right	400824
21	Rubber Belting	401644
22	Nut, 5/16	000910
23	Lock Washer, 5/16	000810
24	1/2" x 1-1/2" Hex Head Bolt	000435
25	1/2" Lock Washer	000840
26	1/2" Hex Nut	000940
27	12mm - 1.75 x 30 Gr. 8.8	002530

Gearbox Assembly



Gearbox Assembly

Ref#	Description	Part#
1	Gearbox Casing	402400
2	Fork	402401
3	M8 Hex Nut	402402
4	M8 Bolt	402403
5	6207 Bearing	402404
6	Z17 Pinion	402405
7	Bushing	402406
8	Spring	402407
9	16.2 x 1.5 Shim	402408
10	Snap Ring	402409
11	Friction Bearing	402410
12	Spring	402411
13	Snap Ring	402412
14	Cap, 72 x 10	402413
15	Hex Nut, M12	402414
16	Screw	402415
17	Splined Shaft, 1 -3/8"	402416
18	Double Lip Seal, 35 x 72 x 10	402417
19	Shim, 71.7	402418
20	Oil Filler Plug	402419
21	Bearing, 30207	402420
22	Crown Wheel, Z23	402421
23	Crown Wheel, Z41	402422
24	Gearbox Casing	402423
25	Parallel Key, 10 x 8 x 45	402424
26	Spring Pin, 10 x 20	402425
27	Bolt, M12 x 35 12.9	402426
28	Bearing, 6211	402427
29	Cover	402428

Ref#	Description	Part#
30	Plug, 1/2" Gas	402429
31	Gear, Z22	402430
32	Shaft	402431
33	Shim, 61.7	402432
34	Cap, 62 x 10	402433
35	Worm Screw	402434
36	Bearing, 30206	402435
37	Snap Ring, 62mm	402436
38	Plug	402437
39	Spacer	402438
40	Gear, Z30	402439
41	Bearing, 30206	402440
42	Parallel Key, 8x7x14.5	402441
43	Gear, Z25	402442
44	Bushing	402443
45	Gear, Z17	402444
46	Oil Seal, 35x72x10	402445
47	Snap Ring, 35mm	402446
48	Lever	402447
49	Plug, 3/8 GAS	402448
50	Fork	402449
51	Spacer	402450
52	Shaft	402451
53	Spacer	402452
54	Spacer	402453
55	Oil Seal, 30x72x10	402454
56	Bolt, M10x20 8.8	402455
57	Parallel Key, 8x7x20	402456