

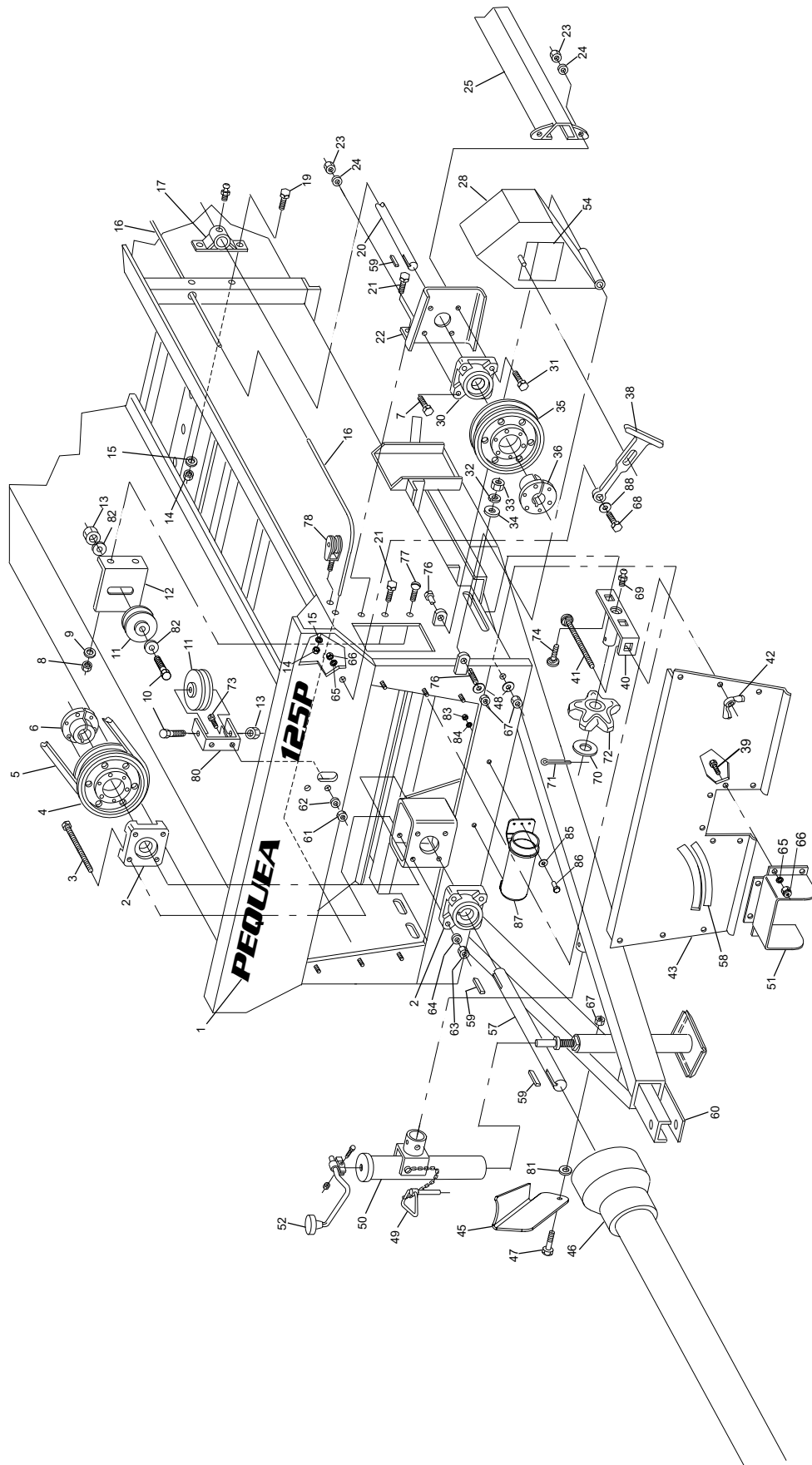


125P Manure Spreader

Illustrated Parts Breakdown

| | |
|----------------|---|
| Page 1 | Front End |
| Page 3 | PTO/Jack/Hitch Assembly |
| Page 4 | Front Pulley Assembly |
| Page 5 | Idler Pulley Assembly |
| Page 6 | Driveshaft/Side Pulley Assembly |
| Page 7 | Widespread Assembly |
| Page 8 | 125P Web Chain, Sprocket and Idler |
| Page 9 | 125P Gearbox Shield |
| Page 10 | 125P Axle Assembly |
| Page 11 | Shifter |
| Page 12 | Floor |
| Page 13 | Top Beater S/N -91669 |
| Page 14 | Top Beater S/N 91669+ |
| Page 15 | 125P Endgate S/N -90126 |
| Page 16 | 125P Endgate S/N 90126+ |
| Page 17 | PTO Shaft |
| Page 18 | Fine Spread Pan |
| Page 19 | Gearbox Assembly |

125P Front End

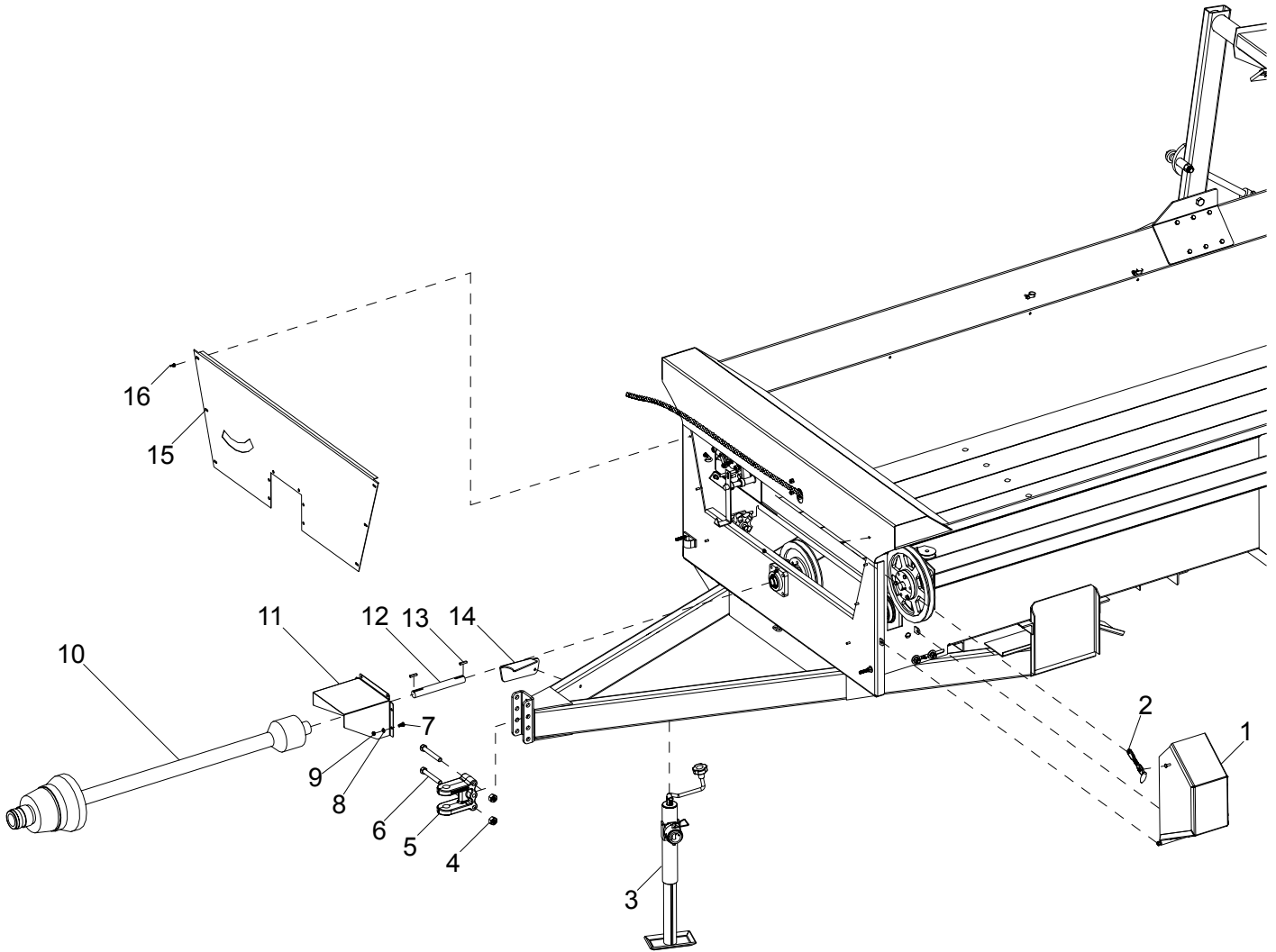


125P Front End

| Ref# | Description | Part# |
|------|---|--------|
| 1 | Decal Kit, 125P | 400845 |
| 2 | 4-Hole Flange Bearing | 400104 |
| 3 | Bolt, 7/16 x 3-1/2 | 000361 |
| 4 | Front Pulley | 400800 |
| 5 | Belt, CX-83 | 400799 |
| 6 | Pulley Hub | 400801 |
| 7 | 1/2-13 X 1-1/2 HH Bolt, Gr.5 Zinc | 000435 |
| 8 | Nut, 1/2 | 000940 |
| 9 | Lock Washer, 1/2 | 000840 |
| 10 | Bolt, 5/8 x 3 | 000620 |
| 11 | Idler Pulley | 400103 |
| 12 | Mounting Bracket, Idler Pulley | 400067 |
| 13 | Locknut, 5/8 | 000972 |
| 14 | Nut, 3/8 | 000915 |
| 15 | Lock Washer, 3/8 | 000820 |
| 16 | Shifter Cable, 162" Overall | 400804 |
| 17 | Bearing, Drive Shaft | 400706 |
| * | Pillow Block Bearing | 401690 |
| 19 | Bolt, 3/8 x 1 | 000270 |
| 20 | 125P Driveline, Drive Shaft | 400788 |
| 21 | Bolt, 1/2 x 1-1/4 | 000420 |
| 22 | Mounting Bracket, Side Pulley | 400785 |
| 23 | Nut, 1/2 | 000940 |
| 24 | Lock Washer, 1/2 | 000840 |
| 25 | 125P Drive Shield Weldment | 400781 |
| 28 | 125P Pulley Shield Weldment | 400698 |
| 30 | 4-Bolt Flange Bearing | 400798 |
| 31 | Bolt, 1/2 x 1-3/4 | 000445 |
| 32 | Lock Washer, 1/2 | 000840 |
| 33 | Nut, 1/2 | 000940 |
| 34 | USS Flat Washer, 1/2 | 001055 |
| 35 | Side Pulley | 400796 |
| 36 | Pulley Hub | 400797 |
| 38 | Rubber T-Handle | 400092 |
| 39 | 5/16-18 X 3/4 Truss Head Bolt | 000210 |
| 40 | Web Idler Bracket | 401079 |
| 41 | Carriage Bolt, 3/8 x 7 | 000140 |
| 42 | Wing Nut, 1/4 | 000905 |
| 43 | 125P Front Lid | 400794 |
| * | Replaced with pillow block bearing in 06/05 | |

| Ref# | Description | Part# |
|------|---|--------|
| 45 | PTO Stand | 400070 |
| 46 | Complete PTO Shaft | 400715 |
| 47 | 3/8-16 X 1-1/4 H H Bolt, Gr.5 Zinc | 000275 |
| 48 | 3/8" USS Flat Washer | 001035 |
| 49 | Pin & Chain | 500012 |
| 50 | Complete Jack | 500009 |
| 51 | PTO Guard | 400795 |
| 52 | Jack Handle w/ Bolt | 500010 |
| 54 | Warning Decal | 400178 |
| 57 | Jack Shaft | 400792 |
| 58 | Locator Decal | 400820 |
| 59 | Key, 1/4 x 1/4 x 1-1/4 | 400115 |
| 60 | Clevis Coupler | 401543 |
| 61 | Nut, 3/8 | 000915 |
| 62 | Lock Washer, 3/8 | 000820 |
| 63 | Nut, 7/16 | 000935 |
| 64 | Lock Washer, 7/16 | 000830 |
| 65 | Lockwasher, 5/16 | 000810 |
| 66 | Nut, 5/16 | 000910 |
| 67 | Locknut, 3/8 | 003000 |
| 68 | 5/16-18 X 1-1/4 HH Bolt, Gr.5 Zinc | 000230 |
| 69 | 1/4-28 Straight Long Zerk | 400119 |
| 70 | 3/4 X 1-1/4 Machinery Bushing, 14Ga. Zinc | 400148 |
| 71 | Cotter Pin, 5/32 x 1-1/2 | 001215 |
| 72 | Front Web Sprocket | 400098 |
| 73 | Bolt, 3/8 x 1 | 000270 |
| 74 | Carriage Bolt, 1/2 x 1-1/2 | 000155 |
| 76 | Bolt, 3/8 x 7-1/2 | 000340 |
| 77 | 1/2-13 X 1 Truss Head Bolt, Gr. 5 Zinc | 000540 |
| 78 | Cable Pulley | 400805 |
| 80 | Rope Pulley Bracket | 400778 |
| 81 | 3/8" Fender Washer | 001105 |
| 82 | 5/8" USS Flatwasher | 001075 |
| 83 | 1/4" Nut | 000900 |
| 84 | 1/4" Lockwasher | 000805 |
| 85 | 1/4" USS Flatwasher | 001020 |
| 86 | 1/4" x 1" Hex Bolt | 100148 |
| 87 | Ops Manual Canister | 503050 |
| 88 | 5/16 USS Washer, Zinc | 001030 |

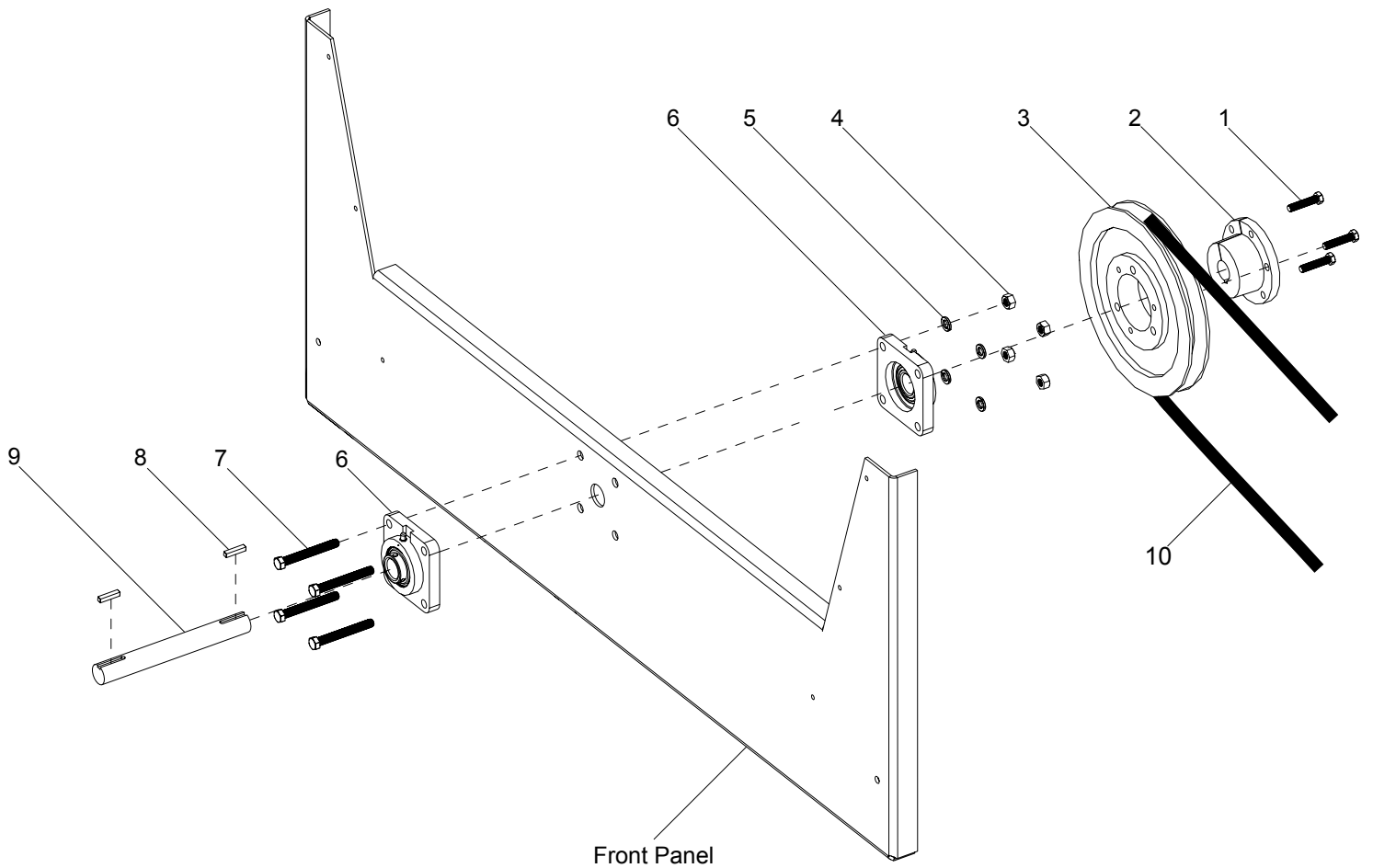
PTO/Jack/Hitch



| Ref# | Description | Part# | Qty |
|------|---------------------------------|--------|-----|
| 1 | Side Pulley Shield Assembly | 400698 | 1 |
| 2 | Rubber Handle | 400092 | 1 |
| 3 | 2K Top Wind Jack | 500009 | 1 |
| 4 | 5/8"-11 Stover Locknut, Grade C | 900145 | 2 |
| 5 | 3 Hole Clevis Coupler | 507018 | 1 |
| 6 | 5/8"-11 x 4.5 Hex Head Bolt | 000645 | 2 |
| 7 | 5/16"-18 x 3/4" Truss Head Bolt | 000210 | 6 |
| 8 | 5/16" Lock Washer | 000810 | 6 |

| Ref# | Description | Part# | Qty |
|------|-----------------------|--------|-----|
| 9 | 5/16"-18 Hex Head Nut | 000910 | 6 |
| 10 | Complete PTO Shaft | 400715 | 1 |
| 11 | PTO Shield | 400795 | 1 |
| 12 | Drive Shaft | 400792 | 1 |
| 13 | 1/4" x 1-1/4" Key | 400115 | 2 |
| 14 | PTO Stand | 400070 | 1 |
| 15 | Front Lid | 401592 | 1 |
| 16 | 1/4" Wing Nut | 000905 | 6 |

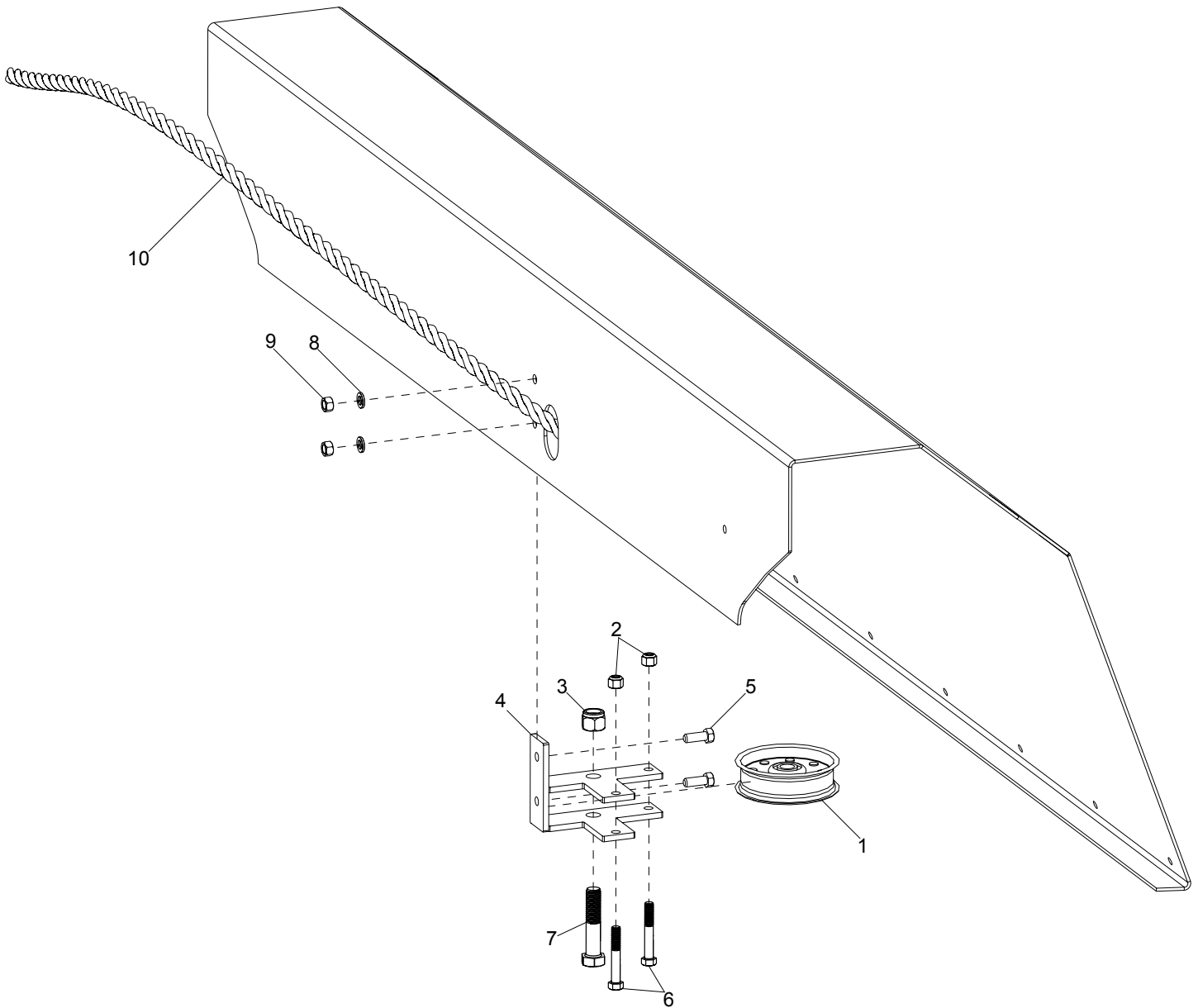
Front Pulley Assembly



| Ref# | Description | Part# | Qty |
|------|--------------------------------|--------|-----|
| 1 | 3/8"-16 x 1-3/4" Hex Head Bolt | 000285 | 3 |
| 2 | Front Pulley Hub | 400801 | 1 |
| 3 | Front Pulley | 400800 | 1 |
| 4 | 7/16"-14 Hex Nut | 000935 | 4 |
| 5 | 7/16 Split Lock Washer | 000830 | 4 |

| Ref# | Description | Part# | Qty |
|------|---------------------------------|--------|-----|
| 6 | 1-1/8" 4 Hole Flange Bearing | 400104 | 2 |
| 7 | 7/16"-14 x 1-1/2" Hex Head Bolt | 000361 | 4 |
| 8 | 1/4" x 1-1/4" Key | 400115 | 2 |
| 9 | Drive Shaft | 400792 | 1 |
| 10 | Main Drive Belt, CX-83 | 400799 | 1 |

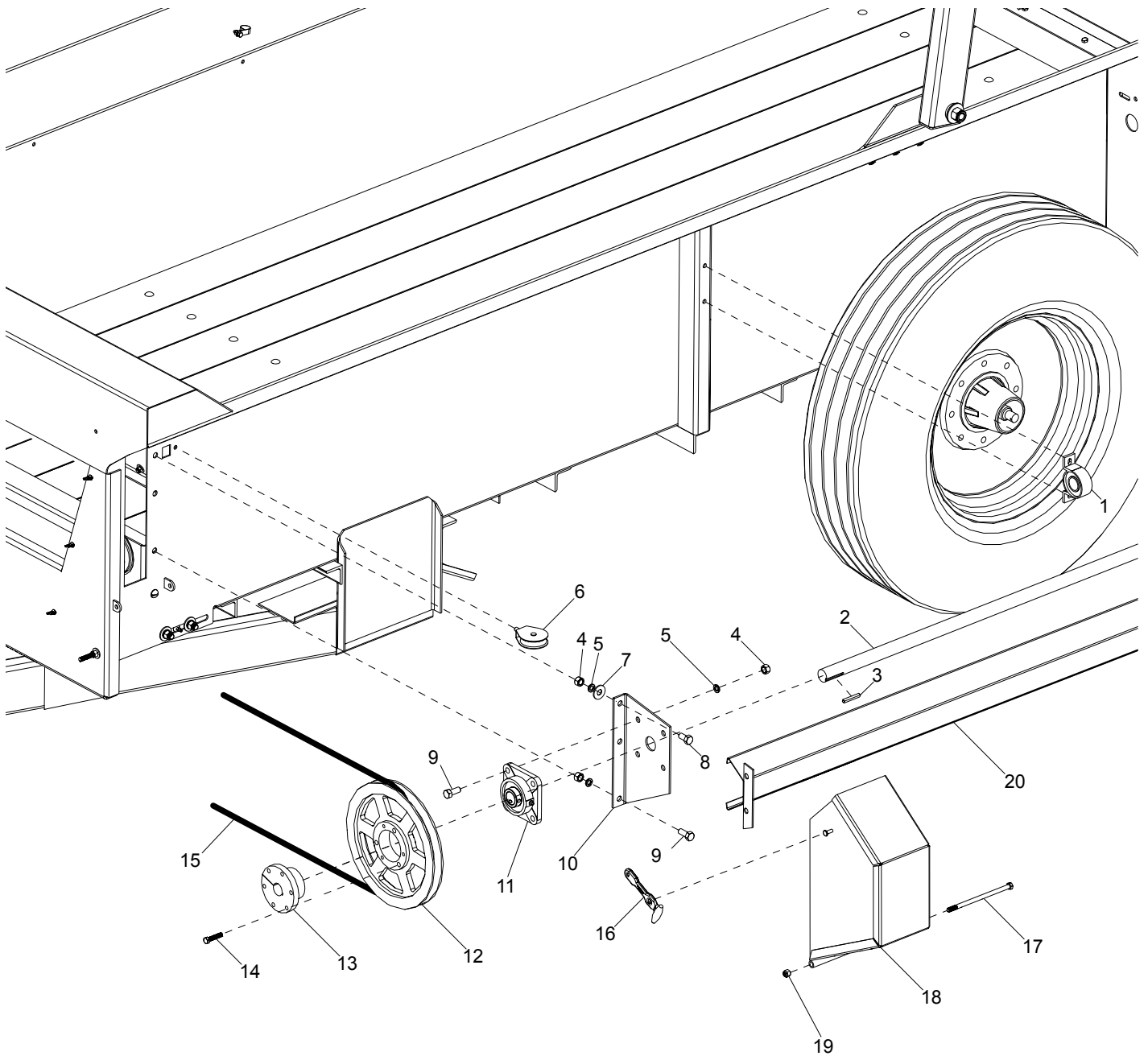
Idler Pulley Assembly



| Ref# | Description | Part# | Qty |
|------|-------------------------|--------|-----|
| 1 | Idler Pulley | 400103 | 1 |
| 2 | 3/8"-16 Nylon Lock Nut | 003000 | 2 |
| 3 | 5/8"-11 Nylon Lock Nut | 000972 | 1 |
| 4 | Pulley Bracket Assembly | 400778 | 1 |
| 5 | 3/8"-16 x 1" | 000270 | 2 |

| Ref# | Description | Part# | Qty |
|------|----------------------------|--------|--------|
| 6 | 3/8"-16 x 3" Hex Head Bolt | 000307 | 2 |
| 7 | 5/8"-11 x 3" Hex Head Bolt | 010019 | 1 |
| 8 | 3/8" Split Lock Washer | 000820 | 2 |
| 9 | 3/8"-16 Hex Nut | 000915 | 2 |
| 10 | 3/8" Nylon Rope | 400806 | Length |

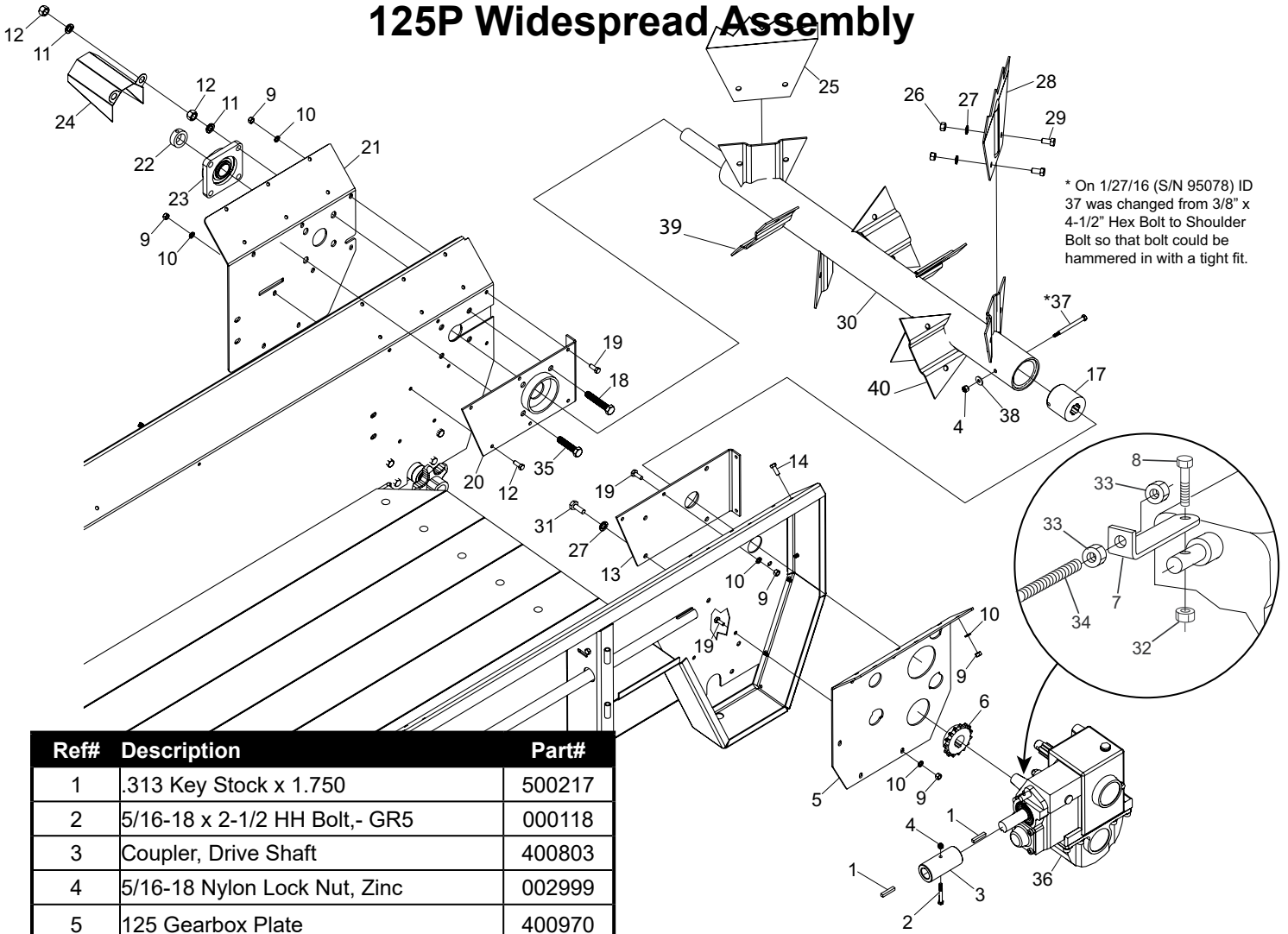
Drive Shaft/Side Pulley Assembly



| ID | Part # | Description | Qty |
|----|--------|-----------------------------|-----|
| 1 | 401690 | 1.25" Bearing Housing | 1 |
| 2 | 400788 | 1.25" x 123" Drive Shaft | 1 |
| 3 | 400115 | 1/4" x 1-1/4" Key | 1 |
| 4 | 000940 | 1/2"-13 Hex Nut | 8 |
| 5 | 000840 | 1/2" Split Lock Washer | 8 |
| 6 | 400805 | Small Pulley | 1 |
| 7 | 001055 | 1/2" USS Flat Washer | 4 |
| 8 | 000435 | 1/2-13 x 1.5 HHB | 2 |
| 9 | 000420 | 1/2"-13 x 1.25" HHB | 3 |
| 10 | 400785 | Side Pulley Bracket | 1 |
| 11 | 400798 | 1.25" 4 Bolt Flange Bearing | 1 |

| ID | Part # | Description | Qty |
|----|--------|--|-----|
| 12 | 400796 | Side Pulley | 1 |
| 13 | 400797 | Hub, Side Pulley | 1 |
| 14 | 000285 | 3/8"-16 x 1-3/4" HHB | 3 |
| 15 | 400799 | Belt, CX-83 | 1 |
| 16 | 400092 | Rubber Handle | 1 |
| 17 | 000340 | 3/8"-16 x 7-1/2" HHB | 1 |
| 18 | 400698 | Side Pulley Shield | 1 |
| 19 | 003000 | 3/8"-16 Nylon Lock Nut | 1 |
| 20 | 400781 | Drive Shaft Shield | 1 |
| 21 | 000540 | 1/2-13 X 1 Truss Head Bolt, Gr. 5 Zinc | 1 |
| 22 | 000445 | 1/2"-13 x 1.75" HHB | 2 |

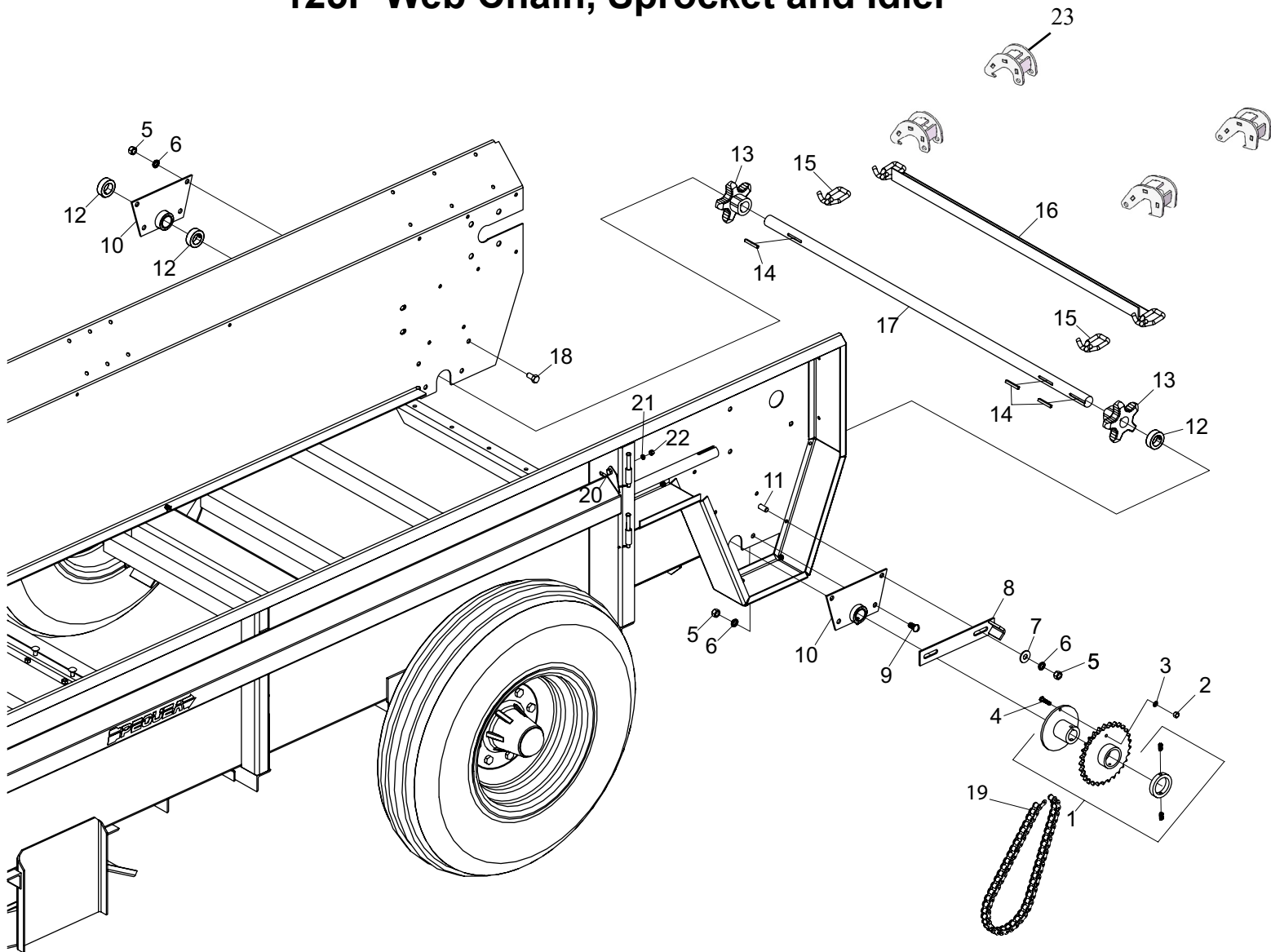
125P Widespread Assembly



| Ref# | Description | Part# |
|------|-------------------------------------|--------|
| 1 | .313 Key Stock x 1.750 | 500217 |
| 2 | 5/16-18 x 2-1/2 HH Bolt,- GR5 | 000118 |
| 3 | Coupler, Drive Shaft | 400803 |
| 4 | 5/16-18 Nylon Lock Nut, Zinc | 002999 |
| 5 | 125 Gearbox Plate | 400970 |
| 6 | 1-3/8" Bore 15 Tooth Drive Sprocket | 400807 |
| 7 | Gear Shifting Cable Bracket | 401348 |
| 8 | 1/4-20 x 1-1/4 HH Bolt, - GR 5 | 000184 |
| 9 | 3/8-16 Hex Nut, Gr.5 Zinc | 000915 |
| 10 | 3/8 Lock Washer, Zinc | 000820 |
| 11 | 9/16 Lock Washer, Zinc | 000850 |
| 12 | 9/16-12 Hex Nut, Gr.5 Zinc | 000965 |
| 13 | 125P Widespread Bearing Bracket | 400691 |
| 14 | 3/8" x 7/8" Hex Head Bolt | 000250 |
| 15 | 3/8-16 Nylon Lock Nut, Zinc | 003000 |
| 16 | 3/8" x 4-1/2" Hex Head Bolt | 000325 |
| 17 | Widespread Pipe Splined Hub | 403784 |
| 18 | 9/16-12 x 2-1/2 Hex Head Bolt | 000602 |
| 19 | 3/8-16 x 1 Hex Head Bolt, Gr.5 Zinc | 000270 |
| 20 | 125P Widespread Bracket | 400688 |
| 21 | Right Rear Supporting Plate | 400971 |
| 22 | 1.500 Plated Shaft Collar | 101044 |
| 23 | 1-1/2" 4 Hole Flange Bearing | 400810 |
| 24 | Widespread Shaft Shield | 401329 |

| Ref# | Description | Part# |
|------|--------------------------------------|--------|
| 25 | Widespread Paddle, Right | 401571 |
| 26 | 1/2-13 Hex Nut, Gr.5 Zinc | 000940 |
| 27 | 1/2 Lock Washer, Zinc | 000840 |
| 28 | Widespread Paddle, Left | 400790 |
| 29 | 1/2-13 x 1 Hex Head Bolt, Gr.5 Zinc | 000405 |
| 30 | Widespread Shaft Assembly,- 125P | 400682 |
| 31 | M12-1.75 x 30 Hex Head Bolt, Zinc | 002530 |
| 32 | 1/4-20 Nylon Lock Nut, Zinc | 003001 |
| 33 | 5/16 Fine Thread Hex Nut Zinc | 001115 |
| 34 | Gear Shifting Cable, 162" | 400804 |
| 35 | 9/16-12 x 2 Hex Head Bolt | 000578 |
| 36 | Gear Box | 400100 |
| 37 | 3/8" x 4" Shoulder Bolt 5/16" Thread | 403805 |
| 38 | 5/16 USS Flat Washer Zinc | 001030 |
| 39 | Mounting Bracket, Right Paddle | 401640 |
| 40 | Mounting Bracket, Left Paddle | 401547 |
| 41 | 1/4-28 Spin-Drive Grease Zert | 400117 |
| 42 | 3/8 USS Flat Washer, Zinc | 001035 |

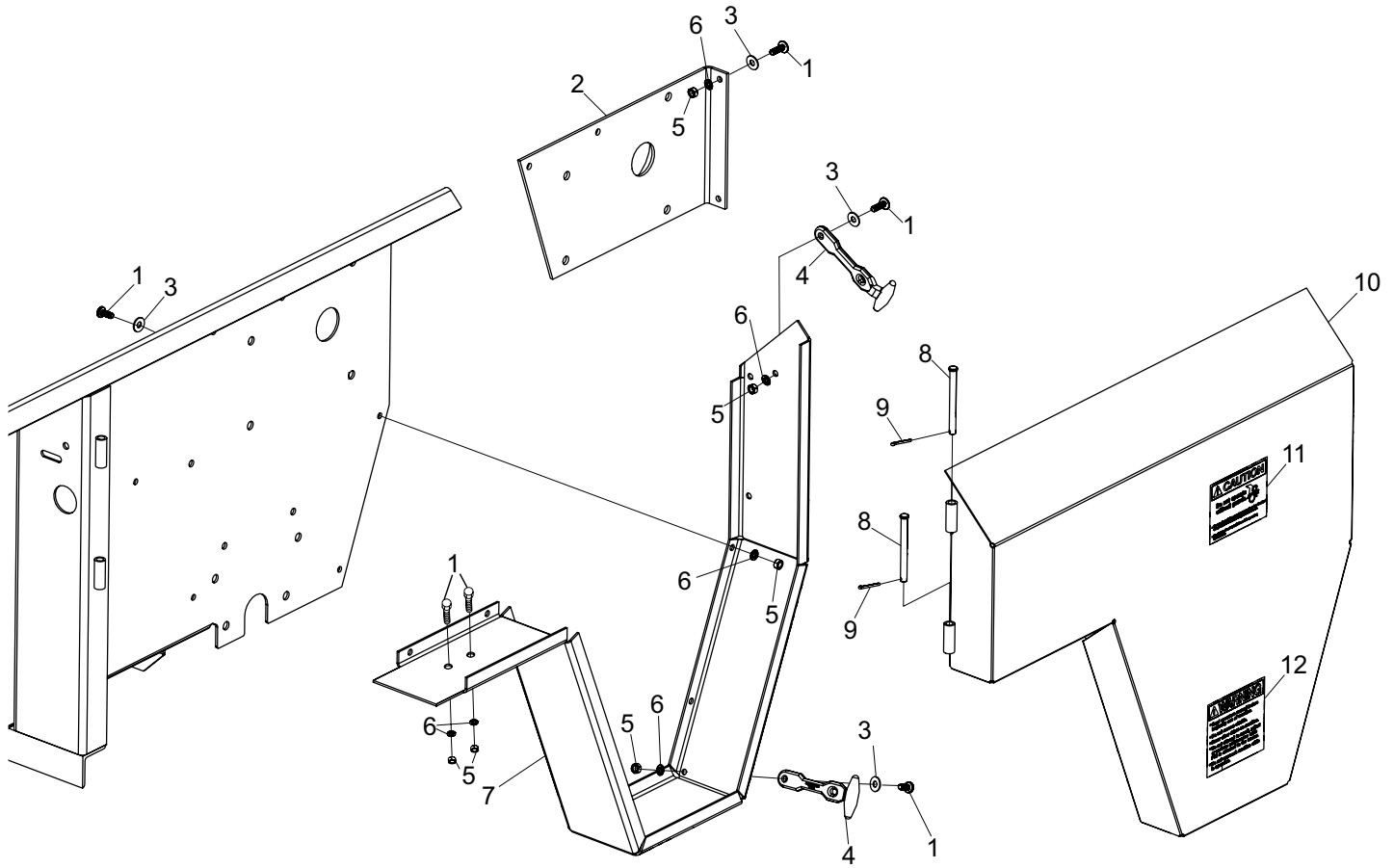
125P Web Chain, Sprocket and Idler



| Ref# | Description | Part# |
|------|----------------------------------|--------|
| 1 | Ø 1.25 6029 Bore Sprocket | 400808 |
| 2 | 5/16-18 Hex Nut, Gr.5 Zinc | 000910 |
| 3 | 5/16 Lock Washer, Zinc | 000810 |
| 4 | 5/16 x 1-1/4 Hex Head Bolt, Gr.5 | 000230 |
| 5 | 1/2-13 Hex Nut, Gr.5 Zinc | 000940 |
| 6 | 1/2 Lock Washer, Zinc | 000840 |
| 7 | 1/2" USS Flat Washer | 001055 |
| 8 | Web Chain Idler Weld Assembly | 400712 |
| 9 | 1/2" x 1" Truss Head Bolt | 000540 |
| 10 | Web Bearing Weld Assembly | 400694 |
| 11 | 1/2-13 x 1-1/4 Hex Head Bolt, | 000420 |
| 12 | 1.250 Plated Shaft Collar | 401476 |

| Ref# | Description | Part# |
|------|------------------------------------|--------|
| 13 | Rear Web Sprocket | 400944 |
| 14 | .250 Key Stock x 2.000 | 400587 |
| 15 | #67 T-Rod Link,- (Black) | 400086 |
| 16 | 125P Web Slat Weldment | 400356 |
| 17 | Web Shaft, 1-1/4" x 51-3/4" | 400793 |
| 18 | 1/2"x 1" Hex Head Bolt | 000405 |
| 19 | Web Chain | 400809 |
| 20 | 3/8-16 X 7/8 H. H. Bolt, Gr.5 Zinc | 000250 |
| 21 | 3/8 Lockwasher, Zinc | 000820 |
| 22 | 3/8 Hex Nut, Gr.5 Zinc | 000915 |
| 23 | Ratchet Tool for Spreader Floor | KITSP2 |

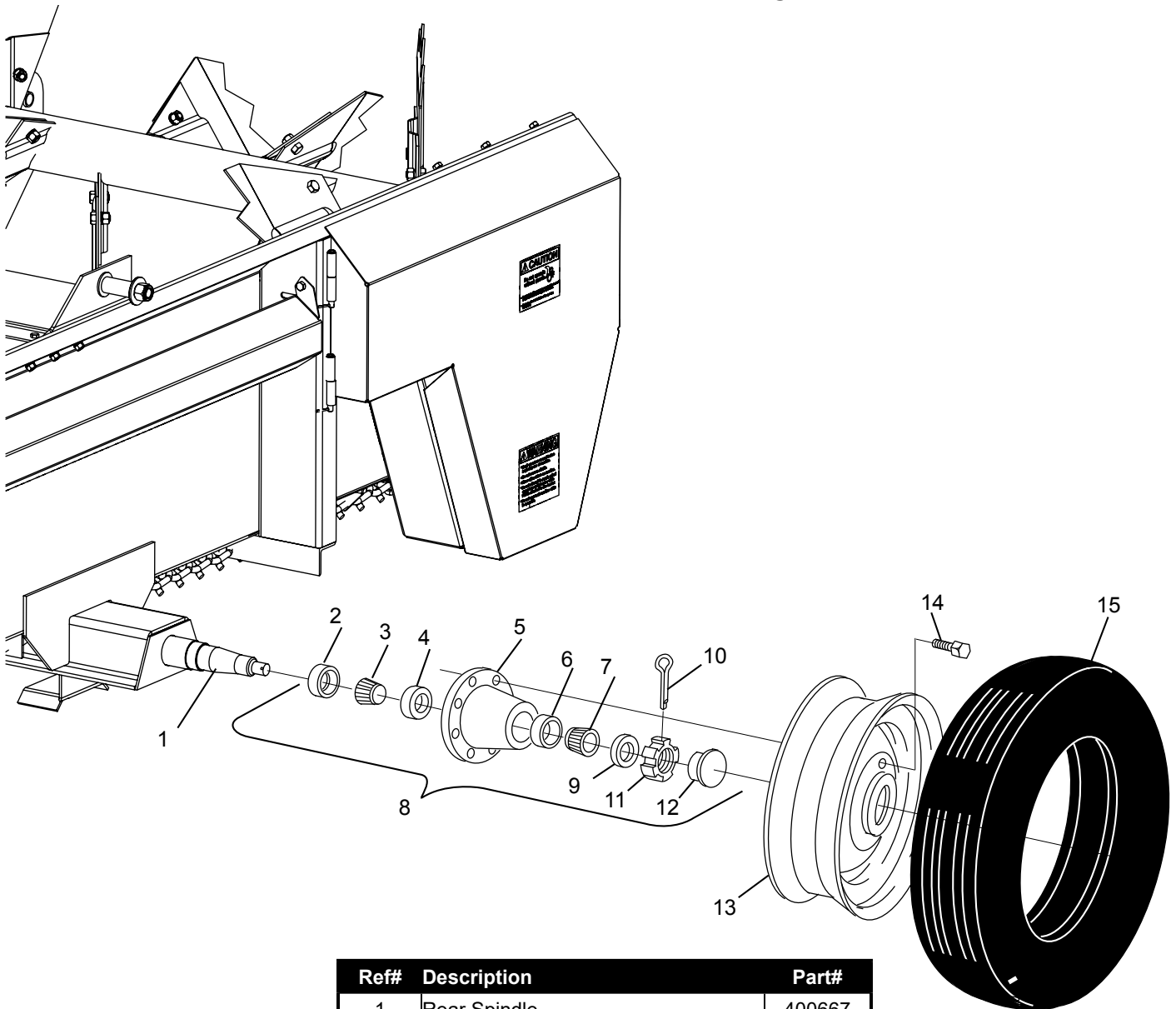
125P Gearbox Shield



| Ref# | Description | Part# |
|------|-------------------------------------|--------|
| 1 | 5/16-18 x 1-1/4 Hex Head Bolt, Zinc | 000230 |
| 2 | Widespread Bearing Bracket | 400691 |
| 3 | 5/16" USS Flat Washer, Zinc | 001030 |
| 4 | Rubber Latch | 400092 |
| 5 | 5/16-18 Hex Nut, Gr.5 Zinc | 000910 |
| 6 | 5/16 Lock Washer, Zinc | 000810 |

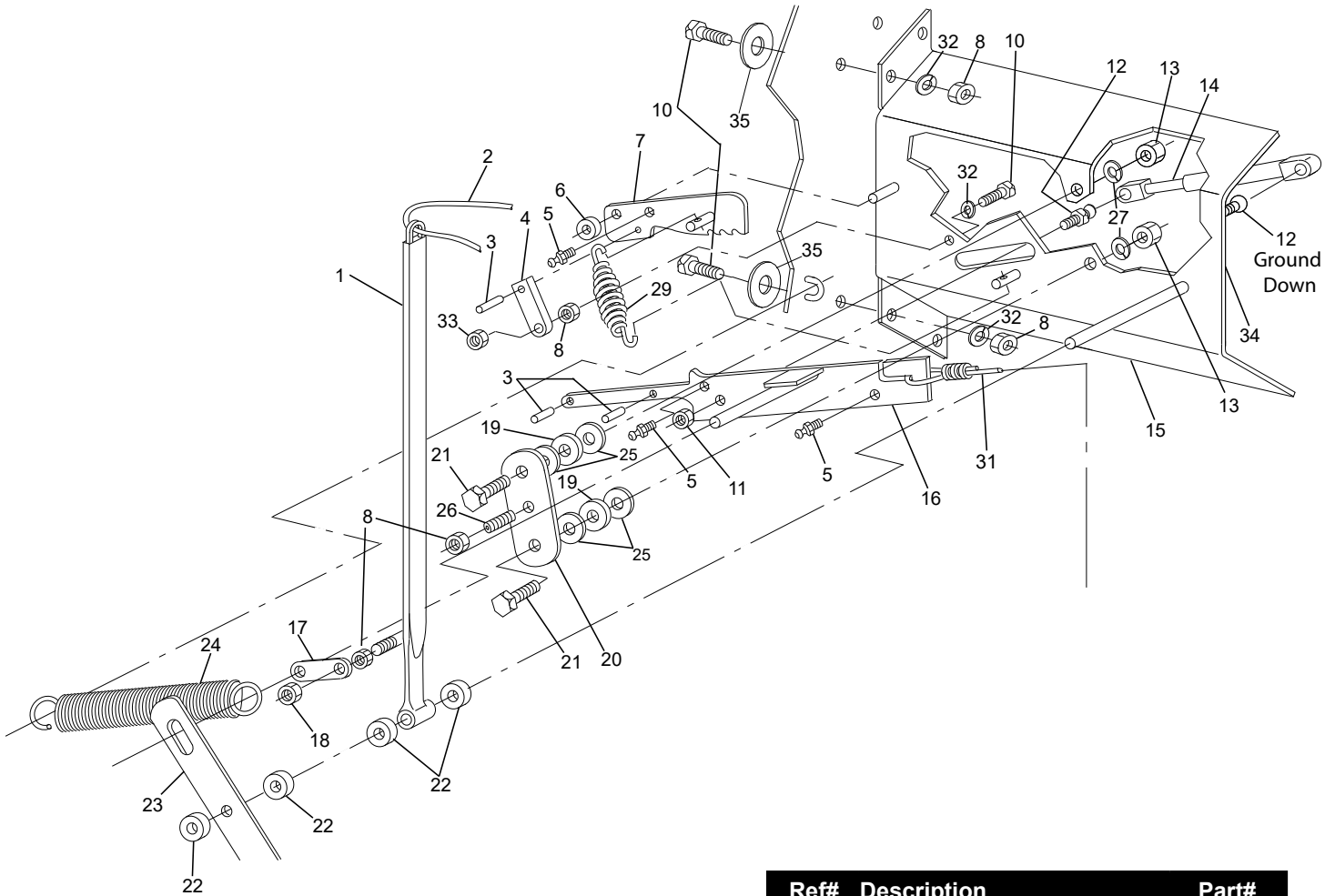
| Ref# | Description | Part# |
|------|------------------------------|--------|
| 7 | Gearbox Shield, Bottom | 400787 |
| 8 | Hinge Pin | 401523 |
| 9 | 1/8 x 1 Cotter Pin Zinc | 001210 |
| 10 | Gearbox Shield Weld Assembly | 400702 |
| 11 | Caution Decal | 400179 |
| 12 | Warning Decal | 400178 |

125P Axle Assembly



| Ref# | Description | Part# |
|------|----------------------------|--------|
| 1 | Rear Spindle | 400667 |
| 2 | Inner Seal | 300500 |
| 3 | Inner Bearing | 300553 |
| 4 | Inner Race | 300551 |
| 5 | Hub Only | 300550 |
| 6 | Outer Race | 300552 |
| 7 | Outer Bearing | 300554 |
| 8 | Complete Hub | 300549 |
| 9 | Spindle Washer | 300283 |
| 10 | Cotter Pin, 5/32 x 1-1/4 | 300282 |
| 11 | Castle Nut | 300281 |
| 12 | Hub Cap | 300555 |
| 13 | 16 x 8 8-Bolt Yellow Rim | 401675 |
| 14 | Lug Bolt | 300556 |
| 15 | Tire, 10.00 - 16 F2M 8 Ply | 401673 |

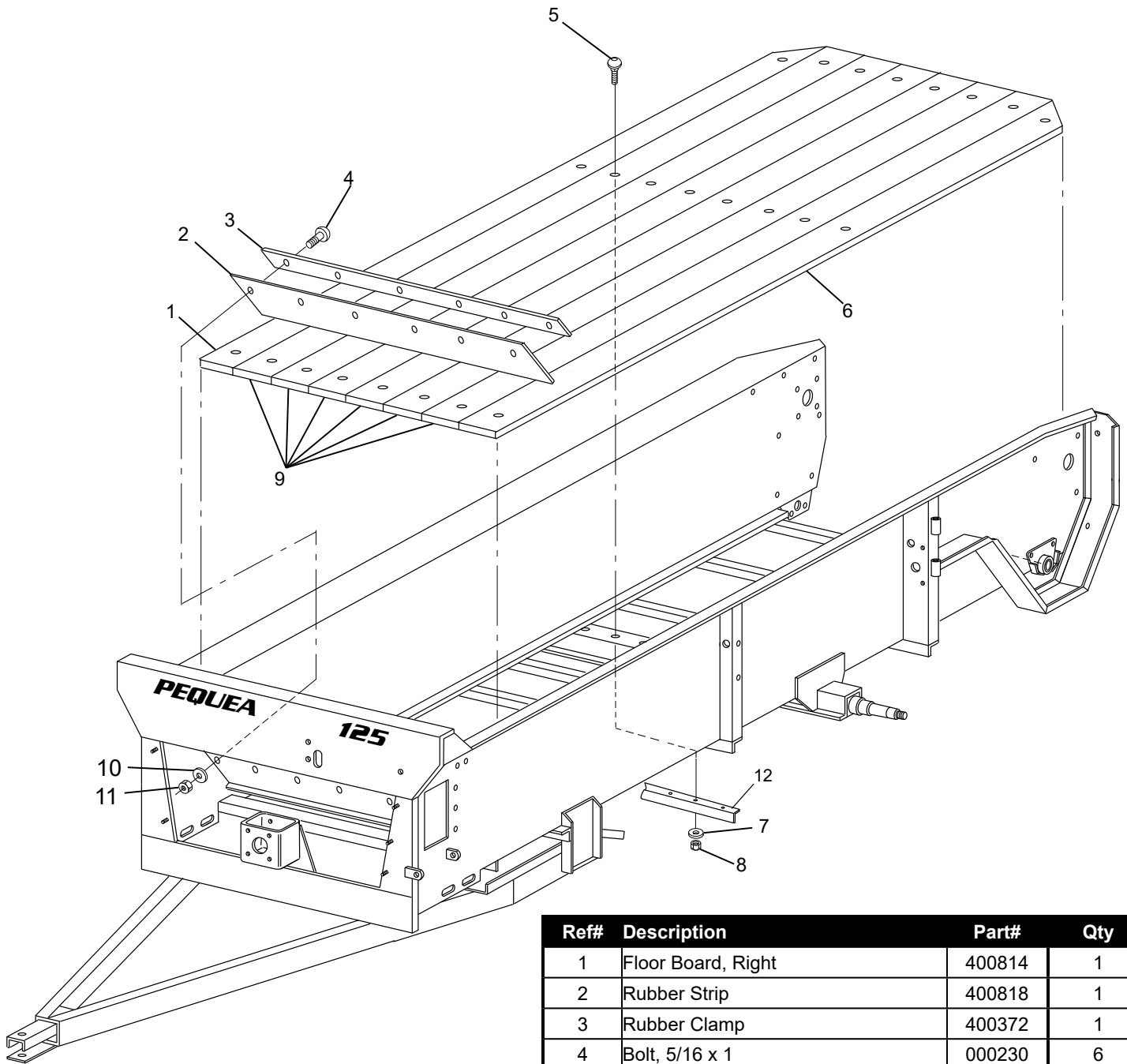
125P Shifter



| Ref# | Description | Part# |
|------|------------------------|--------|
| 1 | Control Arm Assembly | 400746 |
| 2 | Gear Shifter Rope | 400806 |
| 3 | Roll Pin, 1/4" x 5/8" | 400755 |
| 4 | Lifter Arm | 400760 |
| 5 | Grease Fitting | 400118 |
| 6 | 3/8" Shaft Collar | 400776 |
| 7 | Gear Locating Assembly | 400756 |
| 8 | Nut, 3/8 | 000915 |
| 9 | Bolt, 3/8 x 1 | 000270 |
| 10 | Bolt, 3/8 x 1-1/4 | 000275 |
| 11 | Nut, 5/16 | 000910 |
| 12 | Ball Stud | 401013 |
| 13 | Nut, 1/2 | 000940 |
| 14 | Gas Spring | 400764 |
| 15 | Shifter Mounting Plate | 401010 |
| 16 | Shift Arm Assembly | 400751 |

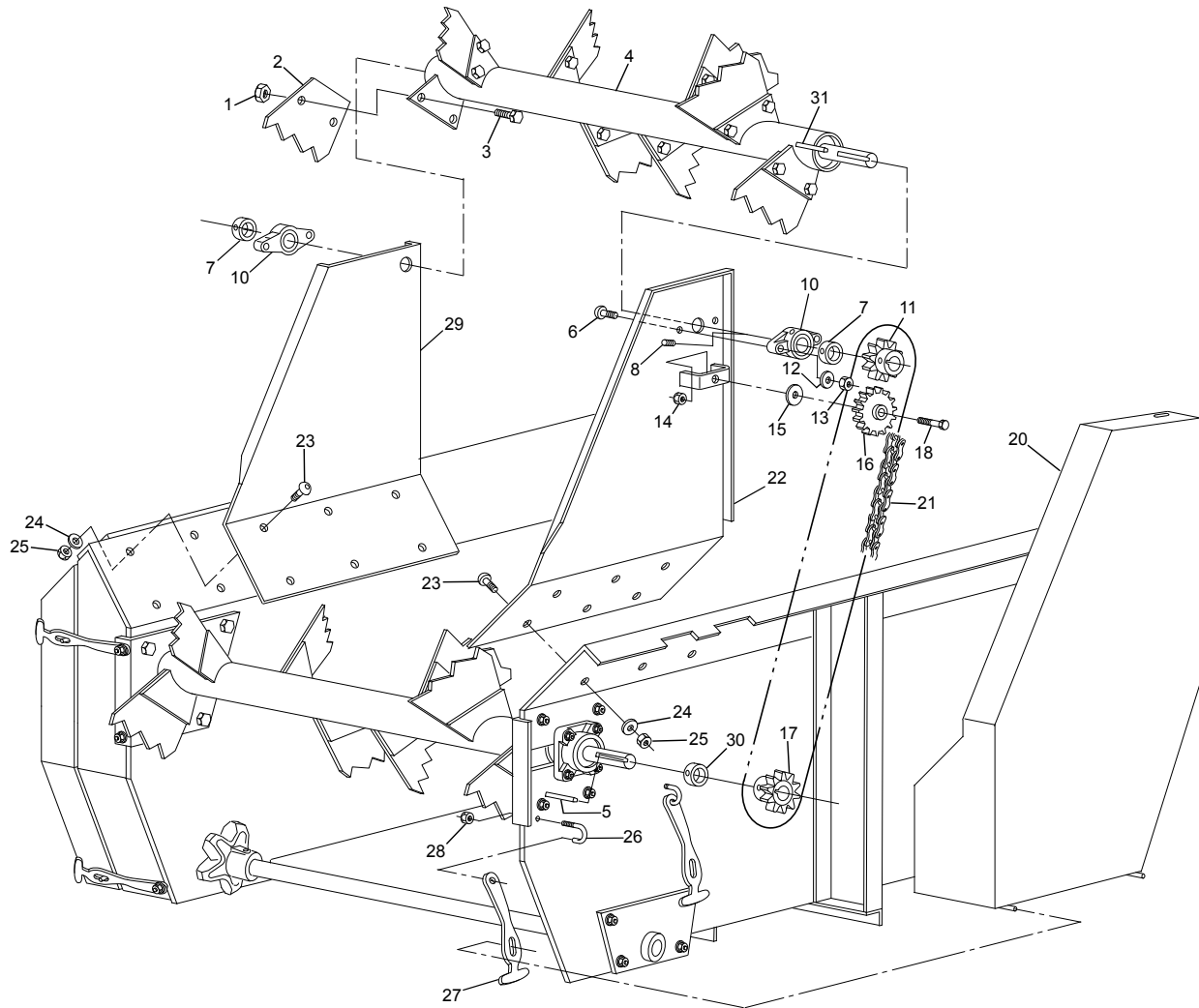
| Ref# | Description | Part# |
|------|---------------------------------------|--------|
| 17 | Shifter Linkage | 400762 |
| 18 | Locknut, 3/8 | 003000 |
| 19 | Bearing, Shifter Arm | 400765 |
| 20 | Guide Plate | 400761 |
| 21 | Bolt, 1/2 x 1-1/2 | 000435 |
| 22 | 3/4" Shaft Collar | 502122 |
| 23 | Indicator | 400763 |
| 24 | Extension Spring | 400404 |
| 25 | Flat Washer, 3/8 | 001035 |
| 26 | Brass Tip Set Screw, 3/8 x 1 | 400766 |
| 27 | 1/2" Lock Washer, Zinc | 000840 |
| 29 | Extension Spring | 400116 |
| 31 | Shifter Cable | 401540 |
| 32 | 3/8" Lockwasher | 000820 |
| 33 | 3/8" Jam Nut | 000920 |
| 34 | Gear Shifting Mounting Plate Weldment | 400759 |
| 35 | 3/8" USS Flat Washer | 001035 |

125P Floor



| Ref# | Description | Part# | Qty |
|------|--------------------------------|--------|-----|
| 1 | Floor Board, Right | 400814 | 1 |
| 2 | Rubber Strip | 400818 | 1 |
| 3 | Rubber Clamp | 400372 | 1 |
| 4 | Bolt, 5/16 x 1 | 000230 | 6 |
| 5 | Carriage Bolt, 3/8 x 1-1/2 | 000151 | 16 |
| 6 | Floor Board, Left | 400813 | 1 |
| 7 | Lock Washer, 3/8 | 000820 | 16 |
| 8 | Nut, 3/8 | 000915 | 16 |
| 9 | Floor Board, Main | 400812 | 6 |
| 10 | Lock Washer, 5/16 | 000810 | 6 |
| 11 | Hex Nut, 5/16 | 000910 | 6 |
| 12 | Floating Floor Hold Down Plate | 401378 | 1 |

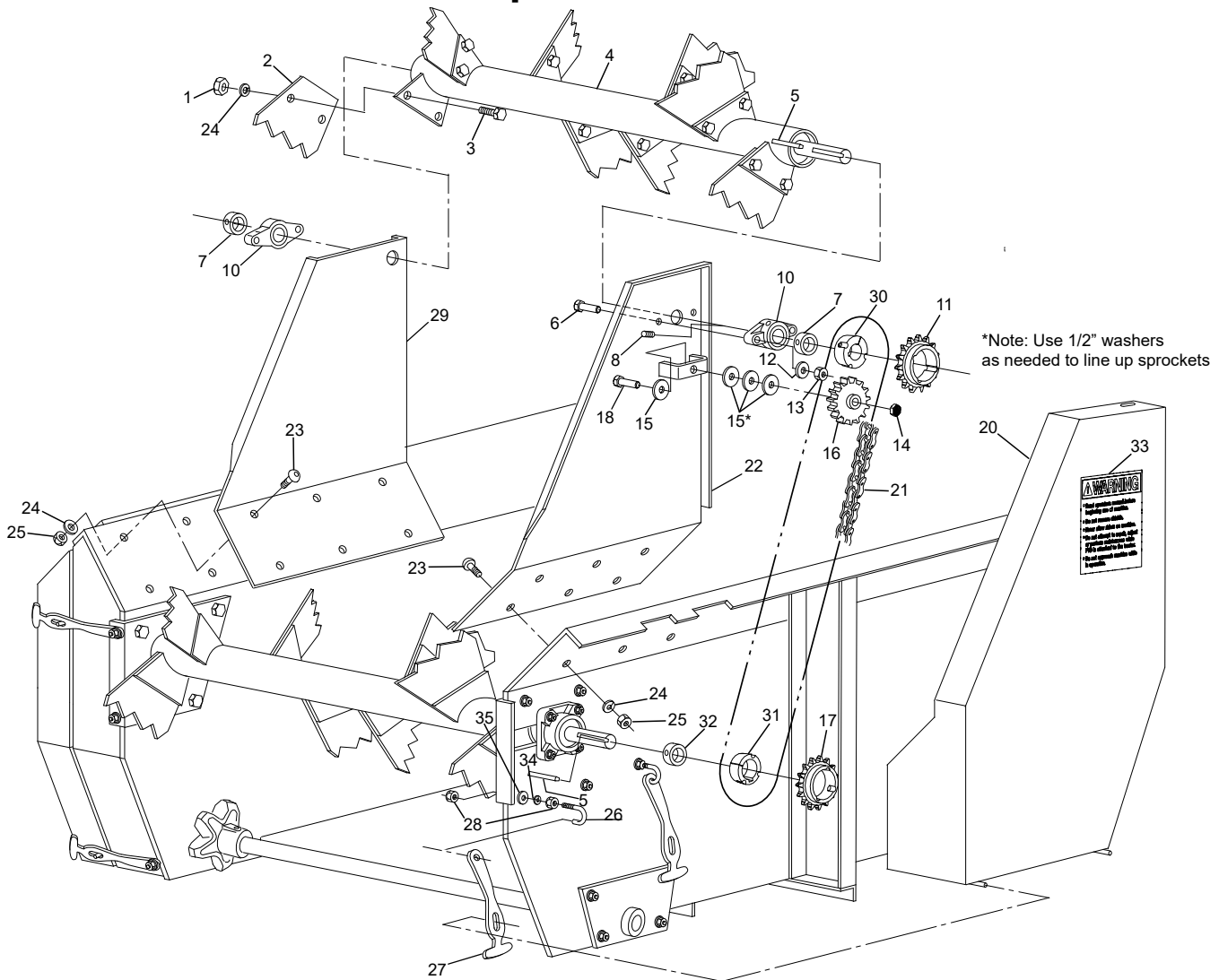
125P Top Beater S/N -91613



| Ref# | Description | Part# |
|------|-----------------------------|--------|
| 1 | Nut, 3/8 | 000915 |
| 2 | Beater Paddle | 400858 |
| 3 | Bolt, 3/8 x 7/8 | 000250 |
| 4 | Top Beater Assembly | 400841 |
| 5 | Key, 1/4 x 1/4 x 1-1/4 | 400115 |
| 6 | 3/8" x 1 1/4" Hex Head Bolt | 000275 |
| 7 | 1-1/8" Shaft Collar | 400144 |
| 10 | Flange Bearing | 400855 |
| 11 | Beater Sprocket | 400105 |
| 12 | Lock Washer, 1/2 | 000840 |
| 13 | Nut, 1/2 | 000940 |
| 14 | Nylon Jam Nut, 1/2 | 000752 |
| 15 | Flat Washer, 1/2 | 001055 |
| 16 | Idler Sprocket | 400399 |

| Ref# | Description | Part# |
|------|---|--------|
| 17 | Beater Sprocket | 400400 |
| 18 | Bolt, 1/2 x 1-3/4 | 000445 |
| 20 | Top Beater Shield | 400846 |
| 21 | Drive Chain | 400854 |
| | 125 Top Beater Mount Weld Assembly, Right | 400849 |
| 22 | | |
| 23 | Bolt, 3/8 x 7/8 | 000250 |
| 24 | Lock Washer 3/8 | 000820 |
| 25 | Nut, 3/8 | 000915 |
| 26 | 5/16-18 J-Bolt,-(Zinc Plated | 400147 |
| 27 | Rubber T-Handle | 400092 |
| 28 | Nut, 3/8 | 000915 |
| 29 | Mounting Bracket, Left | 400851 |
| 30 | 1-1/2" Shaft Collar | 101044 |
| 31 | 3/8" Key x 1-1/2" | 401580 |

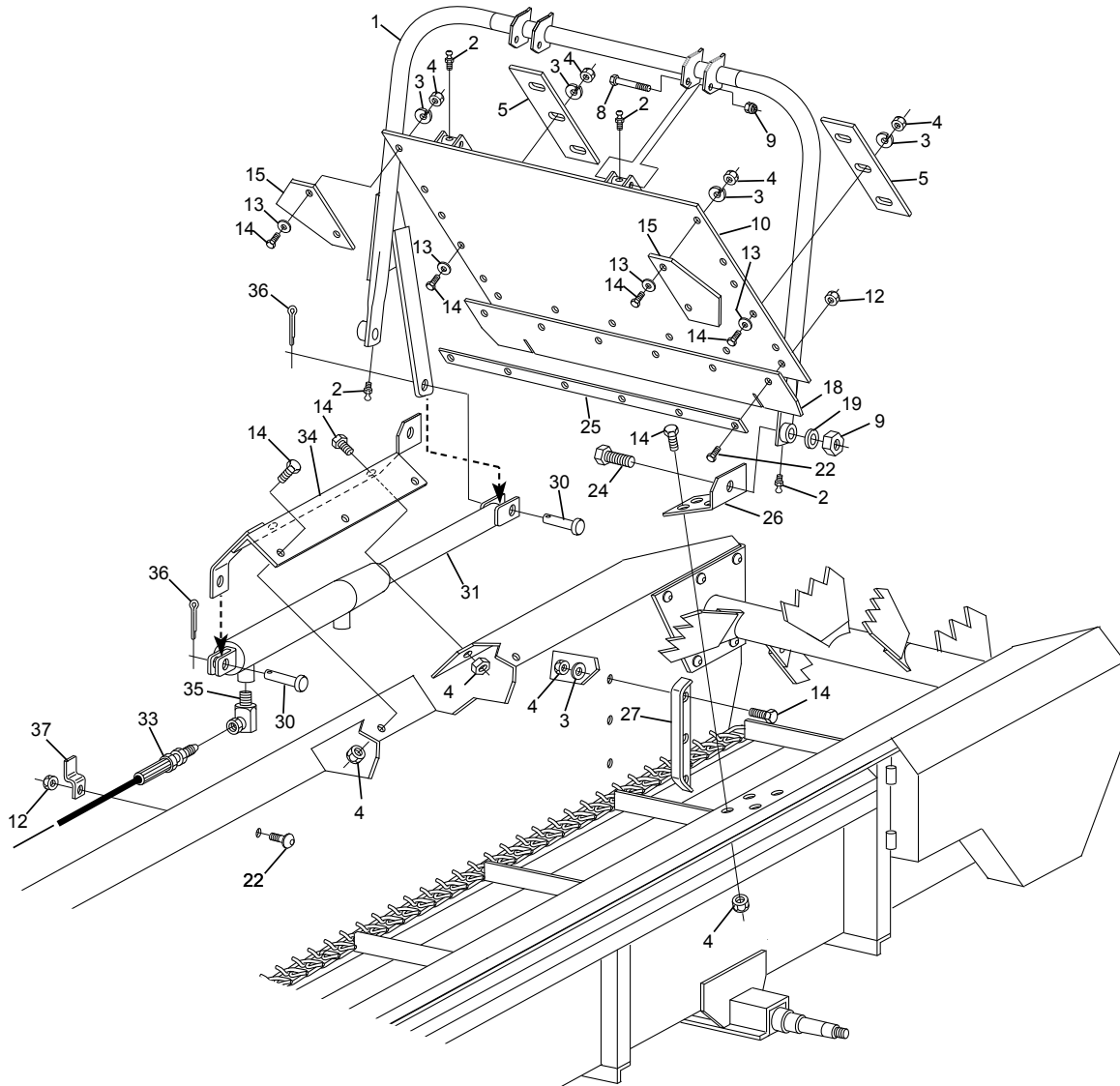
125P Top Beater S/N 91613+



| Ref# | Description | Part# |
|------|------------------------------|--------|
| 1 | 3/8 USS Flat Washer, Zinc | 001035 |
| 2 | Beater Paddle | 400858 |
| 3 | Bolt, 3/8 x 7/8 | 000250 |
| 4 | Top Beater Assembly | 400841 |
| 5 | Key, 1/4 x 1/4 x 1 | 400114 |
| 6 | 7/16" x 1 1/2" Hex Head Bolt | 000360 |
| 7 | 1-1/8" Shaft Collar | 400144 |
| 8 | 1/4-28 X 1/4 Coned Set Screw | 001111 |
| 9 | Key, 3/8 x 3/8 x 1 1/2 | 401580 |
| 10 | Flange Bearing | 400855 |
| 11 | Beater Sprocket | 403767 |
| 12 | Lock Washer, 7/16 | 000830 |
| 13 | Nut, 7/16 | 000935 |
| 14 | Nylon Jam Nut, 1/2 | 000752 |
| 15 | Flat Washer, 1/2 | 001055 |
| 16 | Idler Sprocket | 400399 |
| 17 | Beater Sprocket | 403767 |

| Ref# | Description | Part# |
|------|---|--------|
| 18 | Bolt, 1/2 x 1-3/4 | 000445 |
| 20 | Top Beater Shield | 400846 |
| 21 | Drive Chain | 403770 |
| 22 | 125 Top Beater Mount Weld Assembly, Right | 400849 |
| 23 | Bolt, 3/8 x 1-1/4 | 000275 |
| 24 | Lock Washer 3/8 | 000820 |
| 25 | Nut, 3/8 | 000915 |
| 26 | 5/16" J Bolt | 400147 |
| 27 | Rubber T-Handle | 400092 |
| 28 | 5/16" Nut | 000910 |
| 29 | Mounting Bracket, Left | 400851 |
| 30 | 1-1/8" Taper Lock Bushing | 403769 |
| 31 | 1-1/2" Taper Lock Bushing | 403768 |
| 32 | 1-1/2" Shaft Collar | 101044 |
| 33 | Warning *Read Oper...* Decal | 400178 |
| 34 | 5/16 Lockwasher, Gr.5 Zinc | 000810 |

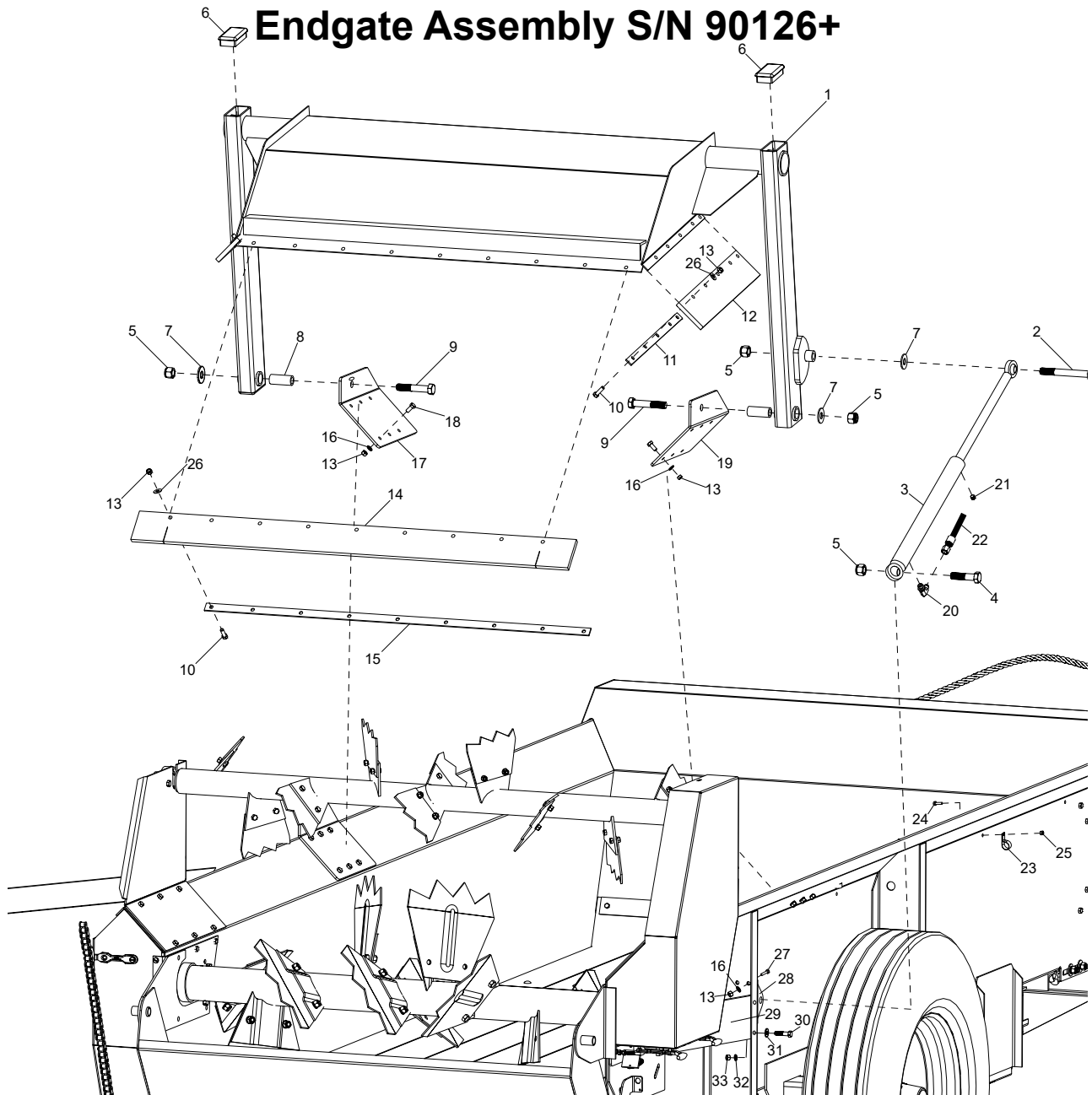
125P Endgate S/N -90126



| Ref# | Description | Part# |
|------|--------------------------------|--------|
| 1 | Endgate Arm Assembly,- 125 | 400860 |
| 2 | 1/8-Npt Spin-Drive Grease Zert | 400118 |
| 3 | Lock Washer, 3/8 | 000820 |
| 4 | Hex Nut, 3/8 | 000915 |
| 5 | Endgate Shim | 400871 |
| 8 | Hex Bolt, 3/4 x 5 | 000750 |
| 9 | Locknut, 3/4 | 000990 |
| 10 | Endgate Panel Assembly,- 125 | 400864 |
| 12 | Hex Nut, 5/16 | 000910 |
| 13 | USS Flatwasher, 3/8 | 001035 |
| 14 | Hex Bolt, 3/8 x 7/8 | 000250 |
| 15 | Flare Plate | 400868 |
| 18 | Belt, Rubber Belt -(46.750") | 400818 |

| Ref# | Description | Part# |
|------|--|---------|
| 19 | 3/4 X 1-1/4 Mach. Bushing, 10ga Zinc | 400146Z |
| 22 | 5/16-18 x 1 Hex Head Bolt Plain | 000220 |
| 24 | 3/4-10 x 3-1/2" Hex Head Bolt, Gr.5 Zinc | 000730 |
| 25 | Rubber Hold-down Strip,-(45.500") | 400372 |
| 26 | Mounting Bracket, Left Endgate Arm | 400869 |
| 27 | Endgate Stop Assembly | 400623 |
| 30 | Cylinder Pin | 400892 |
| 31 | Endgate Cylinder | 400443 |
| 33 | 162" Endgate Hose Assembly,- 125P | 400872 |
| 34 | Cylinder Mounting Bracket Assembly | 400423 |
| 35 | 90 Degree Elbow,- #4 MP x #4 FPX | 502302 |
| 36 | 1/8 X 1-3/4 Cotter Pin | 300056 |
| 37 | Hose Clamp | 400908 |

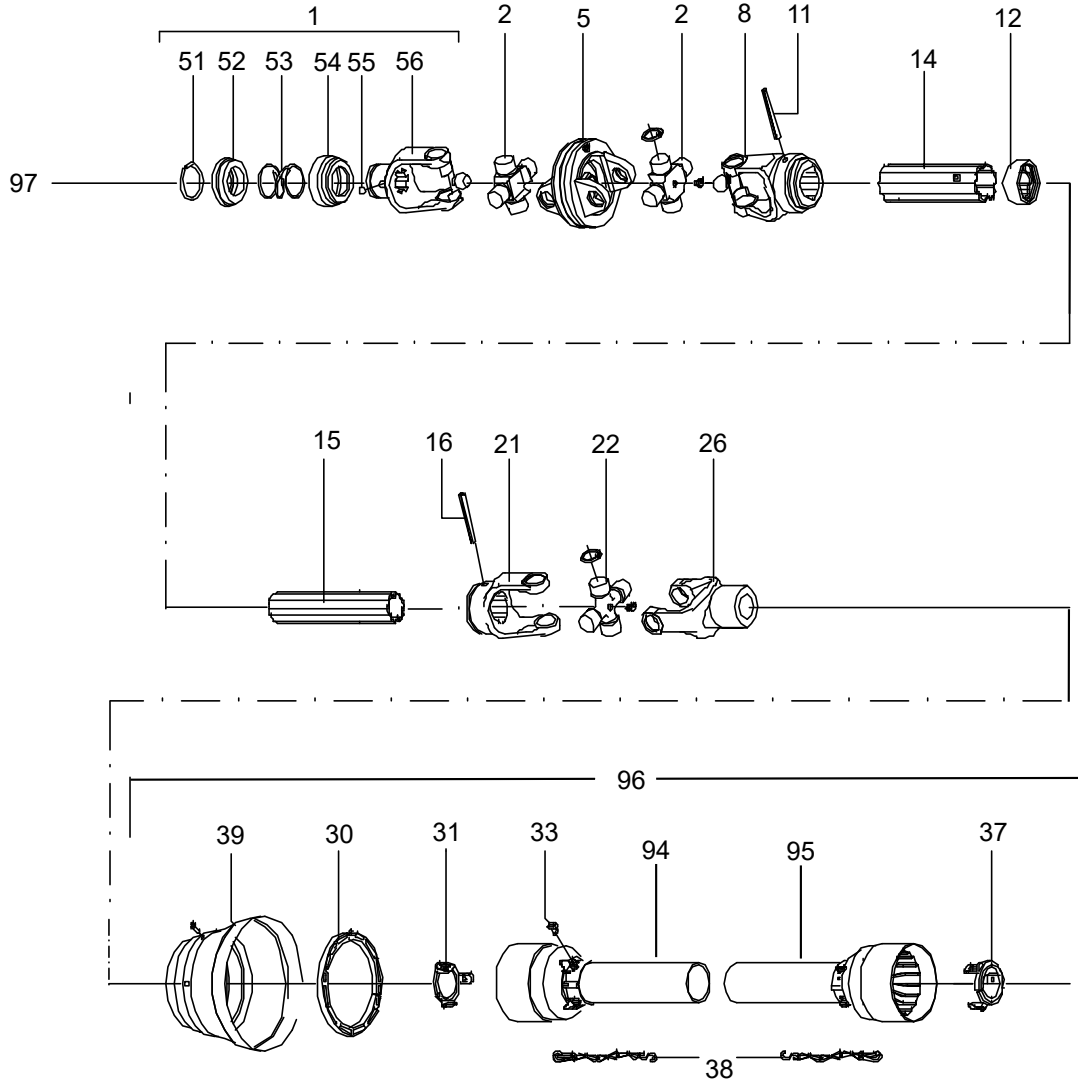
Endgate Assembly S/N 90126+



| ID | Description | Part # |
|----|------------------------|--------|
| 1 | 125 Endgate Weldment | 403748 |
| 2 | 3/4"-10 x 6-1/2" HHB | 000766 |
| 3 | 1.5" Endgate Cylinder | 403757 |
| 4 | 3/4"-10 x 3" HHB | 000715 |
| 5 | 3/4"-10 Nylon Locknut | 000990 |
| 6 | Rubber End Cap | 502276 |
| 7 | 3/4" SAE Flat Washer | 001086 |
| 8 | Endgate Arm Bushing | 403005 |
| 9 | 3/4"-10 x 4-1/4" HHB | 000741 |
| 10 | 3/8"-16 x 1.25" HHB | 000275 |
| 11 | Side Rubber Clamp | 403006 |
| 12 | Endgate Side Seal | 403018 |
| 13 | 3/8"-16 Nut | 000915 |
| 14 | Back Seal | 403039 |
| 15 | Back Rubber Clamp | 403043 |
| 16 | 3/8" Split Lock Washer | 000820 |
| 17 | Left Endgate Bracket | 403030 |
| 18 | 3/8"-16 x .875" HHB | 000250 |

| ID | Description | Part # |
|----|---|--------|
| 19 | Right Endgate Bracket | 403031 |
| 20 | 90 Degree Fitting | 403771 |
| 21 | Breather Plug | 403806 |
| 22 | 204" Hose | 403044 |
| 23 | Wire Loom Clamp | 403045 |
| 24 | 1/4" x 3/4" Hex Head Bolt | 000175 |
| 25 | 1/4" Nylon Locknut | 003001 |
| 26 | 3/8 USS Flat Washer | 001035 |
| 27 | 3/8-16 X 1 Hex Head Bolt, Gr.5 | 000270 |
| 28 | Cylinder Bracket Mount Weld Assembly | 403579 |
| 29 | 125 Rear Brace | 403764 |
| 30 | 1/2-13 X 1-1/2 Hex Head Bolt, Gr.5 Zinc | 000435 |
| 31 | 1/2" SAE Flat Washer | 001061 |
| 32 | 1/2" Lock Washer, Zinc | 000840 |
| 33 | 1/2"-13 Hex Nut, Gr.5 Zinc | 000940 |
| 34 | 3/8"-16 Lock Nut | 003000 |

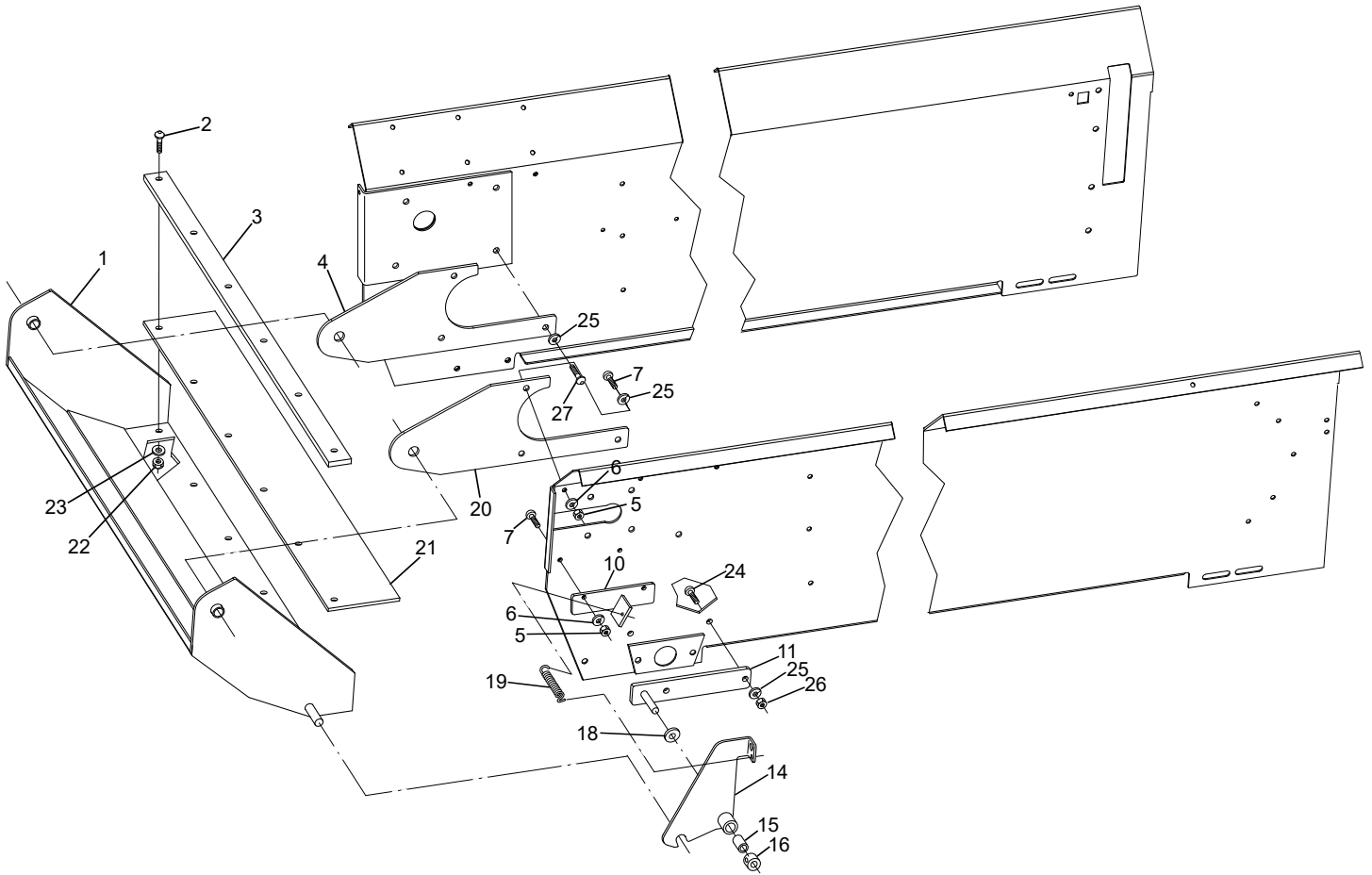
125P PTO Shaft



| Ref# | Description | Part# |
|------|--------------------------|--------|
| 1 | Collar Yoke for CV-Joint | 400717 |
| 2 | Cross Journal Set | 400718 |
| 5 | Double Yoke | 400719 |
| 8 | Outer Yoke | 400720 |
| 11 | Roll Pin, Outer Tube | 400722 |
| 12 | Wiper | 400725 |
| 14 | Outer Tube | 400721 |
| 15 | Inner Tube | 400739 |
| 16 | Roll Pin, Inner Tube | 400741 |
| 21 | Inner Yoke | 400738 |
| 22 | Cross Journal Set | 400737 |
| 26 | Implement Yoke | 400736 |
| 30 | Shield Bearing | 400723 |
| 31 | Outer Shield Bearing | 400726 |

| Ref# | Description | Part# |
|------|-----------------------|--------|
| 33 | PTO Shield Screw | 400730 |
| 37 | Inner Shield Bearing | 400742 |
| 38 | Safety Chain | 400729 |
| 39 | CV Shield w/ Bearing | 400767 |
| 51 | Outer Clip | 400727 |
| 52 | Sliding Sleeve Collar | 400728 |
| 53 | Spring | 400731 |
| 54 | Fixed Sleeve | 400732 |
| 55 | Ball, 1/2" | 400743 |
| 56 | Yoke, CV-Joint | 400744 |
| 94 | Female Half Guard | 400724 |
| 95 | Male Half Guard | 400740 |
| 96 | Complete Shield Kit | 503115 |
| 97 | Complete PTO Shaft | 400715 |

125P Fine Spread Pan



| Ref# | Description | Part# |
|------|--------------------|--------|
| 1 | Fine Spread Pan | 400826 |
| 2 | Bolt, 5/16 x 1 | 000221 |
| 3 | Rubber Strip Clamp | 400372 |
| 4 | Pan Hinge, Left | 400823 |
| 5 | Nut, 3/8 | 000915 |
| 6 | Lock Washer, 3/8 | 000820 |
| 7 | Bolt, 3/8 x 1-1/2 | 000280 |
| 10 | Latch Stop | 400831 |
| 11 | Latch Hinge | 400834 |
| 14 | Latch | 400895 |
| 15 | Bushing, Latch | 700081 |

| Ref# | Description | Part# |
|------|-----------------------------|--------|
| 16 | 5/8" Shaft Collar | 400856 |
| 18 | Flat Washer, 5/8 | 001076 |
| 19 | Extension Spring | 400116 |
| 20 | Pan Hinge, Right | 400824 |
| 21 | Rubber Belting | 400818 |
| 22 | Nut, 5/16 | 000910 |
| 23 | Lock Washer, 5/16 | 000810 |
| 24 | 1/2" x 1-1/2" Hex Head Bolt | 000435 |
| 25 | 1/2" Lock Washer | 000840 |
| 26 | 1/2" Hex Nut | 000940 |
| 27 | 12mm -1.75 x 30 Gr. 8.8 | 002530 |

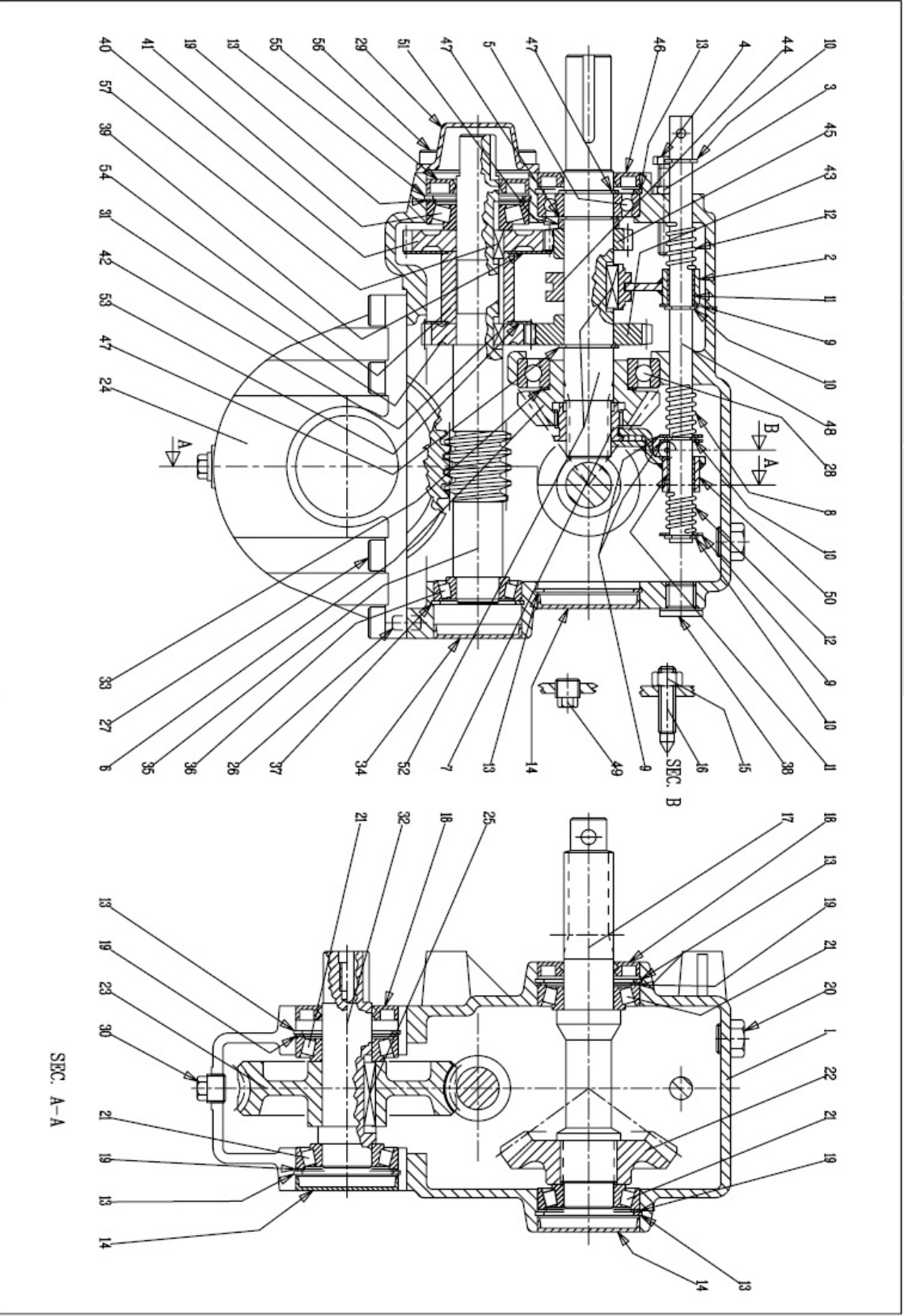
Gearbox Assembly



COMPANY
MILLER

REV. 6456
DATE 16-04-98

DESCRIPTION
N-689 B
CODE 689.006.10



OMER S.p.A. 42046 Millom di Bergamo (BG) Italia Tel. 0352 / 974111 (9 linee) Telefax 0352 / 972349 Telex 530252 OMER I

Gearbox

| Ref# | Description | Part# |
|------|-------------------------------|--------|
| 1 | Gearbox Casing | 402400 |
| 2 | Fork | 402401 |
| 3 | M8 Hex Nut | 402402 |
| 4 | M8 Bolt | 402403 |
| 5 | 6207 Bearing | 402404 |
| 6 | Z17 Pinion | 402405 |
| 7 | Bushing | 402406 |
| 8 | Spring | 402407 |
| 9 | 16.2 x 1.5 Shim | 402408 |
| 10 | Snap Ring | 402409 |
| 11 | Friction Bearing | 402410 |
| 12 | Spring | 402411 |
| 13 | Snap Ring | 402412 |
| 14 | Cap, 72 x 10 | 402413 |
| 15 | Hex Nut, M12 | 402414 |
| 16 | Screw | 402415 |
| 17 | Splined Shaft, 1 -3/8" | 402416 |
| 18 | Double Lip Seal, 35 x 72 x 10 | 402417 |
| 19 | Shim, 71.7 | 402418 |
| 20 | Oil Filler Plug | 402419 |
| 21 | Bearing, 30207 | 402420 |
| 22 | Crown Wheel, Z23 | 402421 |
| 23 | Crown Wheel, Z41 | 402422 |
| 24 | Gearbox Casing | 402423 |
| 25 | Parallel Key, 10 x 8 x 45 | 402424 |
| 26 | Spring Pin, 10 x 20 | 402425 |
| 27 | Bolt, M12 x 35 12.9 | 402426 |
| 28 | Bearing, 6211 | 402427 |
| 29 | Cover | 402428 |

| Ref# | Description | Part# |
|------|------------------------|--------|
| 30 | Plug, 1/2" Gas | 402429 |
| 31 | Gear, Z22 | 402430 |
| 32 | Shaft | 402431 |
| 33 | Shim, 61.7 | 402432 |
| 34 | Cap, 62 x 10 | 402433 |
| 35 | Worm Screw | 402434 |
| 36 | Bearing, 30206 | 402435 |
| 37 | Snap Ring, 62mm | 402436 |
| 38 | Plug | 402437 |
| 39 | Spacer | 402438 |
| 40 | Gear, Z30 | 402439 |
| 41 | Bearing, 30206 | 402440 |
| 42 | Parallel Key, 8x7x14.5 | 402441 |
| 43 | Gear, Z25 | 402442 |
| 44 | Bushing | 402443 |
| 45 | Gear, Z17 | 402444 |
| 46 | Oil Seal, 35x72x10 | 402445 |
| 47 | Snap Ring, 35mm | 402446 |
| 48 | Lever | 402447 |
| 49 | Plug, 3/8 GAS | 402448 |
| 50 | Fork | 402449 |
| 51 | Spacer | 402450 |
| 52 | Shaft | 402451 |
| 53 | Spacer | 402452 |
| 54 | Spacer | 402453 |
| 55 | Oil Seal, 30x72x10 | 402454 |
| 56 | Bolt, M10x20 8.8 | 402455 |
| 57 | Parallel Key, 8x7x20 | 402456 |