



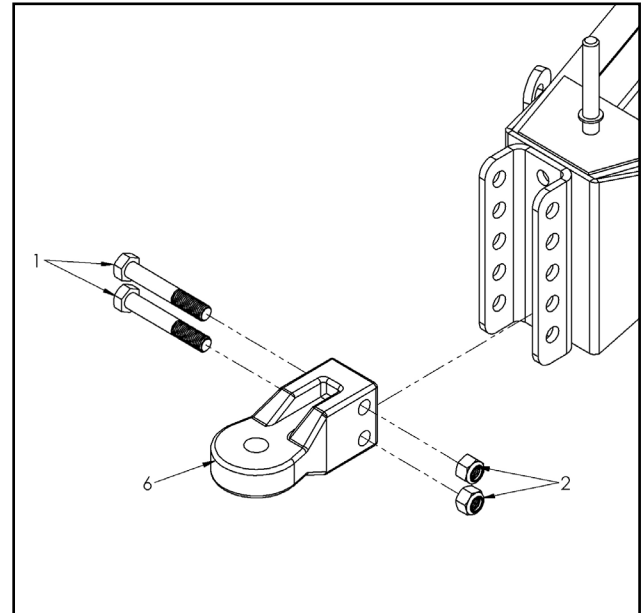
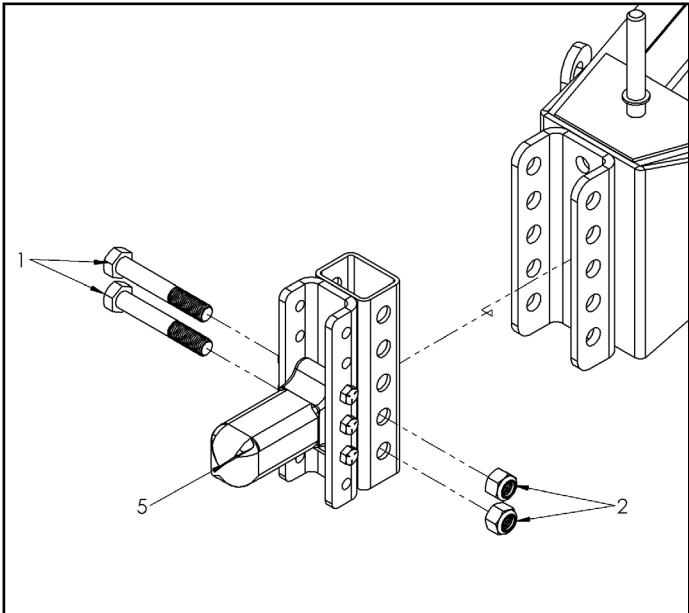
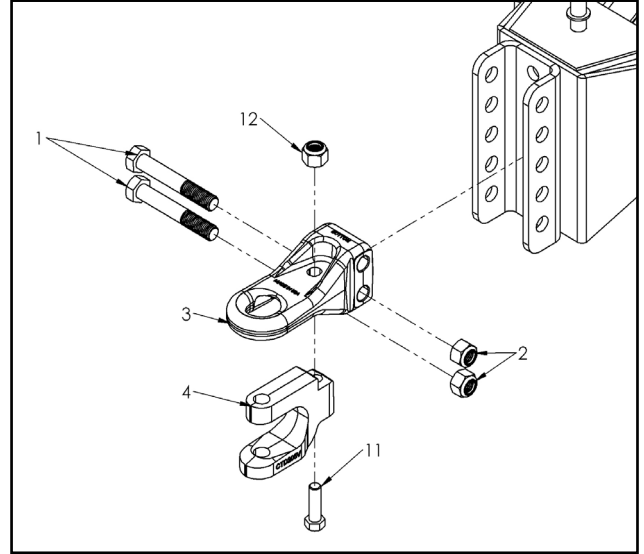
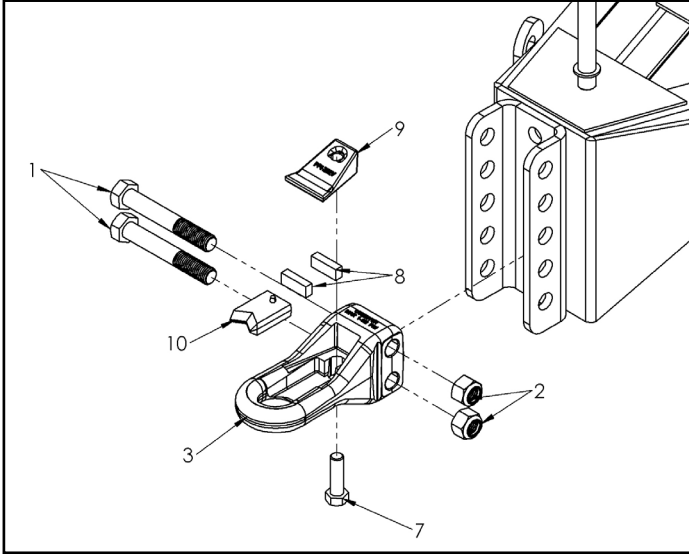
V12 Orchard Spreader

Serial Numbers 100038 And Higher

Illustrated Parts Breakdown

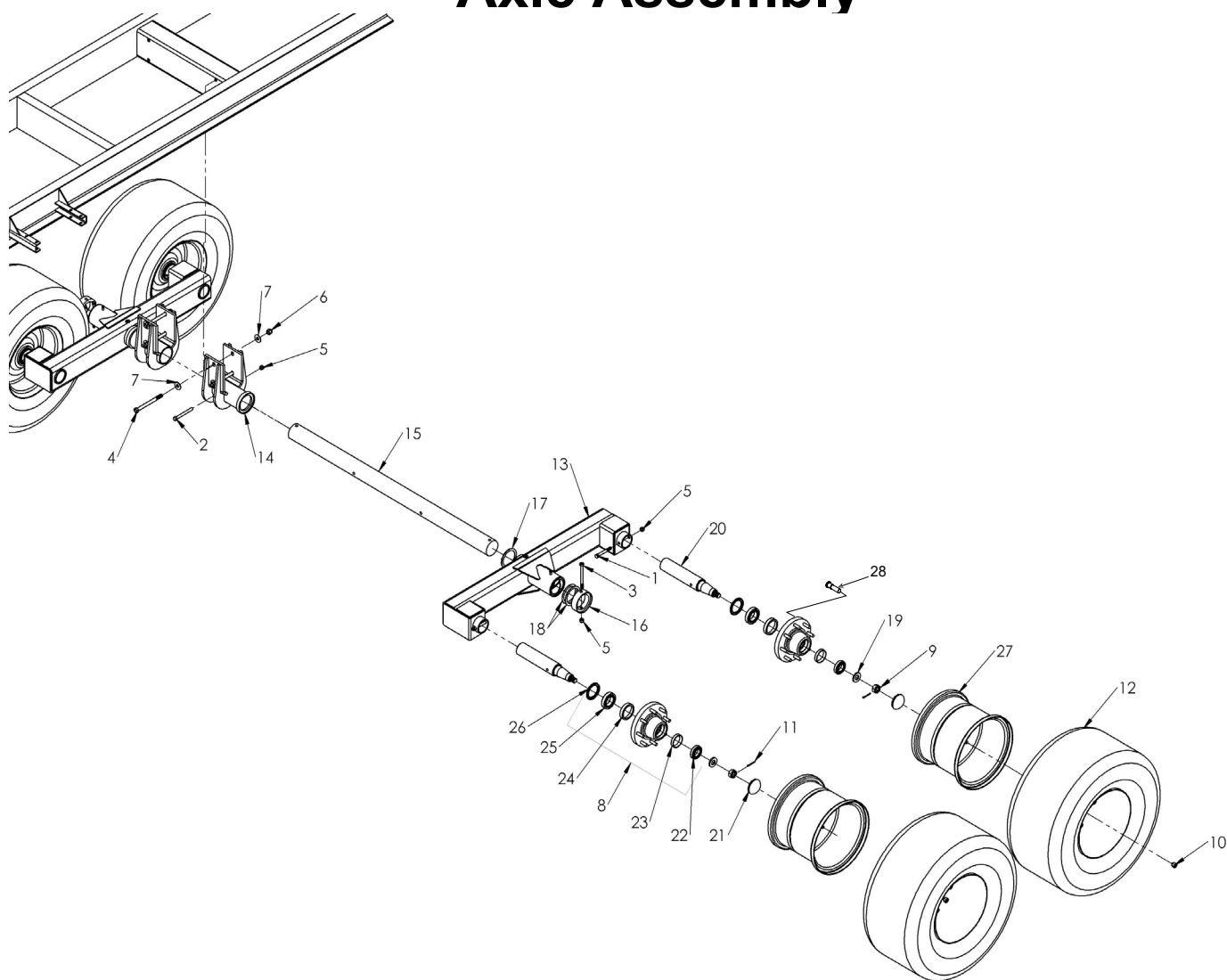
Page 1	Hitch Assembly Options
Page 2	Axle Assembly
Page 3	Floor & Apron
Page 4	Pump Assembly
Page 5	Manifold Components
Page 6	Gearbox Components
Page 7	Manifold Cover
Page 8	Rear Gate
Page 9	Rear Gate - March 2024+
Page 10	Spinner Assembly
Page 11	Dual Conveyer Assembly
Page 12	Dual Conveyer Assembly
Page 13	Single Conveyer Option
Page 14	Single Conveyer Option
Page 15-16	Deflector Options
Page 17	Deflector Option (Tall)
Page 18	Flicker Option S/N 103214-
Page 19	Flicker Option S/N 103214+
Page 20	Switchbox
Page 21	Oil Cooler Option
Page 22	Light Package Option
Page 23	Hydraulics

Hitch Assembly Options



Ref#	Description	Part#	Qty
1	1"-8 x 6-1/2" Hex Head Bolt Gr.5 Zinc	000791	2
2	1"-8 Nylon Lock Nut, Gr. 2 Zinc	001012	2
3	Pintle Hitch, Perfect Hitch Opt.	896285	1
4	Clevis Hitch Attachment	896309	1
5	Hitch Coupler Adaptor (Kit)	896336	1
6	Bull Pull Swivel Hitch	896215	1
7	Grade 5 Bolt, CTD	896429	1
8	Neoprene Cushion	896427	2
9	Top Plate	896426	1
10	V-Block	896428	1
11	Grade 8 Bolt, CTD	896430	1
12	Hex Nut, CTD	896431	1

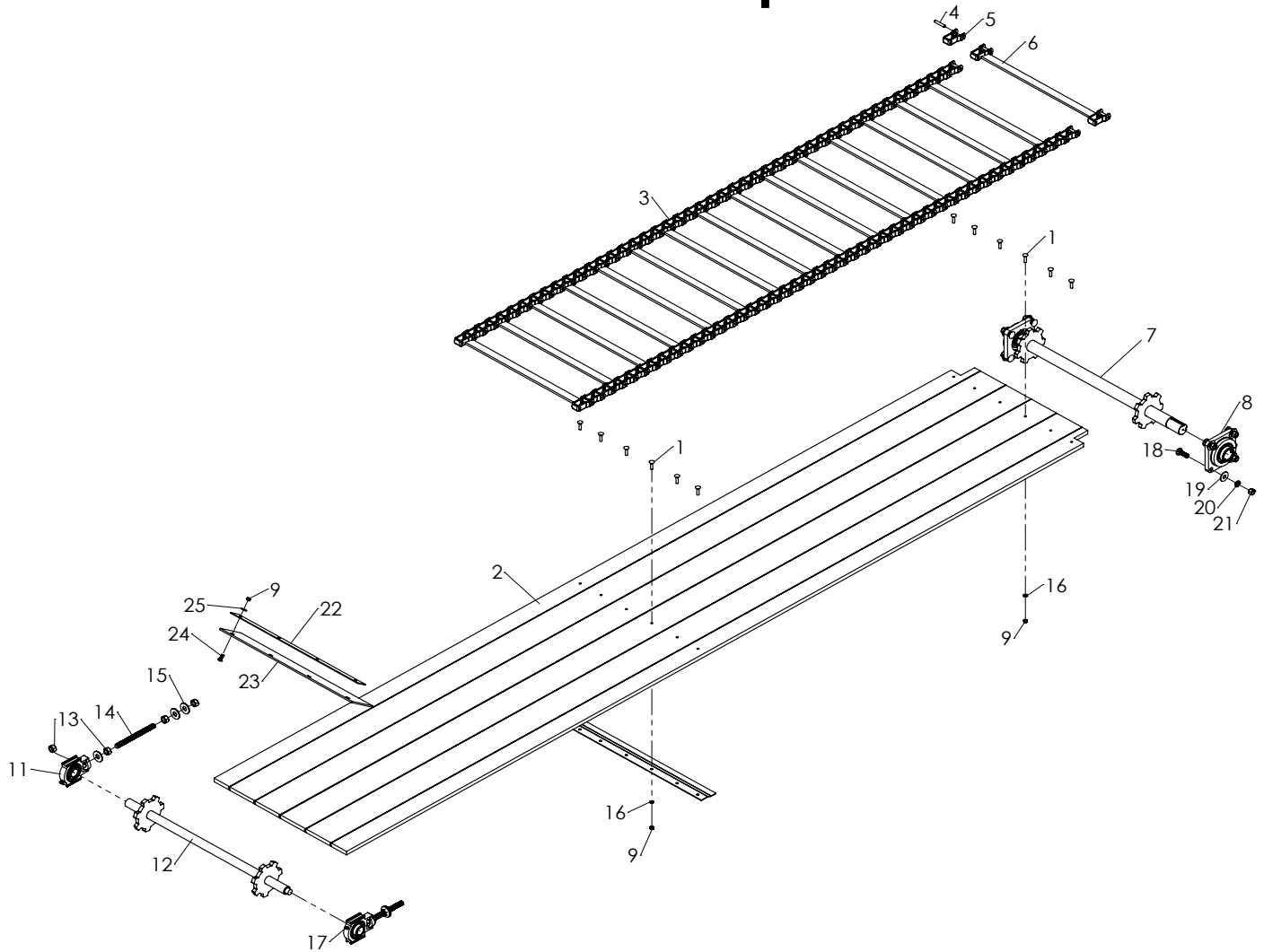
Axle Assembly



Ref#	Description	Part#	Qty
1	1/2-13 x 4 HH Bolt	000490	4
2	1/2-13 x 5 HH Bolt	000510	2
3	1/2-13 x 6 HH Bolt	000550	2
4	5/8-11 x 7-1/2 HH Bolt	000662	4
5	1/2-13 Nylon Lock Nut	000950	8
6	5/8-11 Nylon Lock Nut	000972	4
7	5/8 Flat Washer	001075	8
8	Hub Assembly, G60-8	300242	4
9	1-14 Castle Hex Nut	300275	4
10	5/8 Lug Nut	300278	32
11	Cotter Pin, 5/32 x 1-3/4	300282	4
12	Tire, 18L x 16.1 Implement Tire	800513	2
13	Walking Beam	890549	2

Ref#	Description	Part#	Qty
14	Axle Mount Weldment	890555	2
15	Axle, Solid Round	890560	1
16	End Cap	890561	2
17	Thick Spacer Washer, 11 ga	830015	2
18	Thin Spacer Washer, 14 ga	890573	4
19	Hub Washer	890585	4
20	Spindle, G60-8 Hub	890588	4
21	Hub Cap	300249	4
22	Outer Bearing	300248	4
23	Outer Race	300247	4
24	Inner Race	300245	4
25	Inner Bearing	300244	4
26	Grease Seal	300243	4
27	Wheel, 16.1 x 14, 8 Bolt	830235	4
28	5/8-18 Stud Bolt, - Press In	300250	32

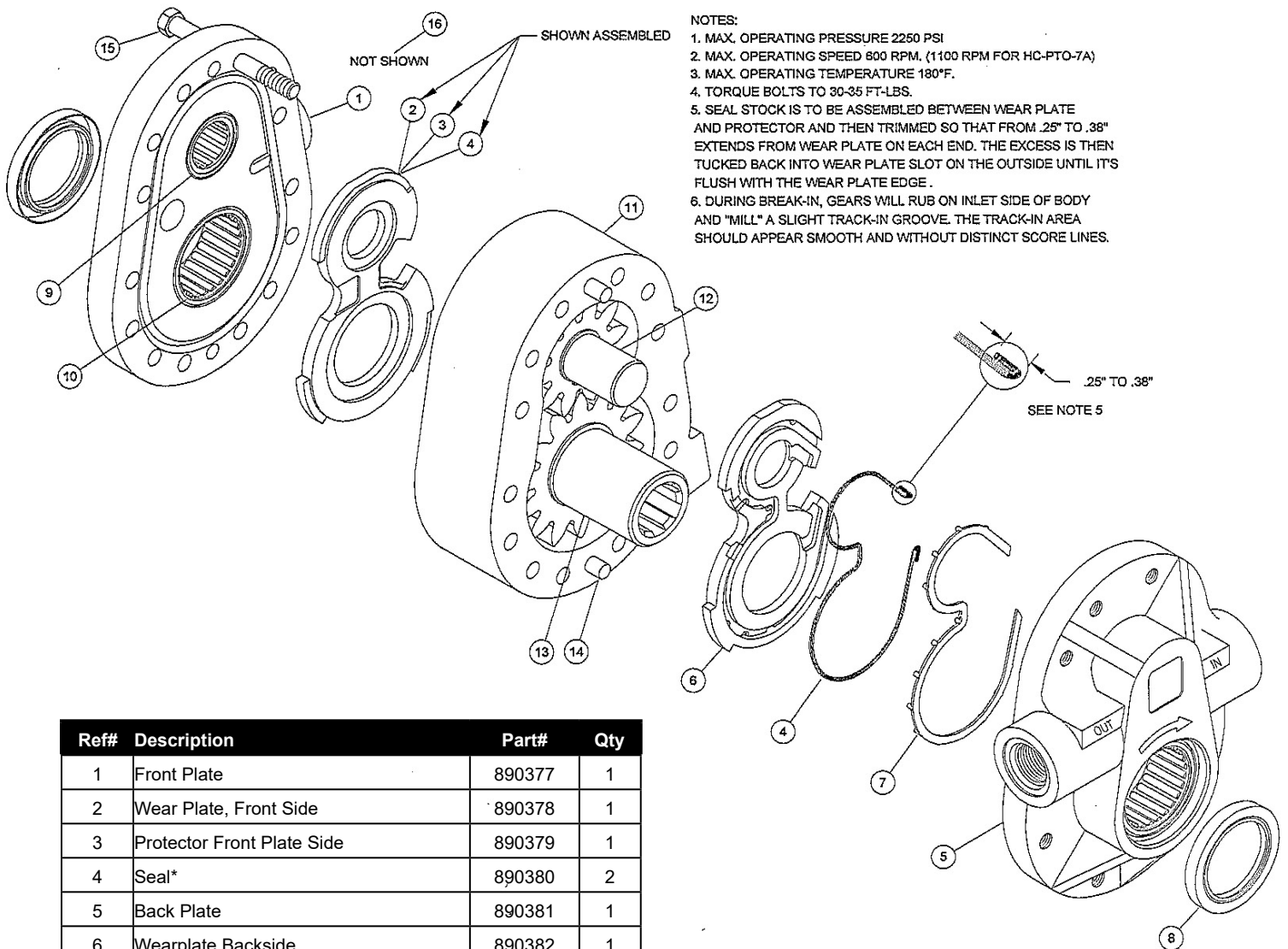
Floor & Apron



Ref#	Description	Part#	Qty	Ref#	Description	Part#	Qty
1	3/8-16 X 1-1/2 Carriage Bolt, Zinc	000151	12	14	Front Tensioner Rod	801175	2
2	Floor Board **	890198	6	15	3/4 USS Flat Washer	001085	6
3	Web Chain w/ Slats (10' Section)	830555-WD	3.3	16	3/8 Lock Washer, Zinc	000820	12
4	Connector Pin	830328	N/A	17	Grease Fitting, 1/4-28 45°Zert	701171	2
5	Connector Link w/ Pin	830326	N/A	18	5/8-11 x 2 Carriage Bolt, Gr.5 Zinc	000617	8
6	Slat Assembly	890375	N/A	19	5/8 USS Flat Washer, Zinc	001075	16
7	Rear Drive Shaft Weldment	830528	1	20	5/8 Lock Washer, Zinc	000860	8
8	Flange Bearing	801100	2	21	5/8-11 Hex Nut, Gr.5 Zinc	000970	8
9	Nut, 3/8	000915	16	22	Backer Bar, Front V12	890597	1
10	Floor Hold Plate	830557	3	23	Rubber Skirt, Front V12	890598	1
11	Take-up Bearing	801099	2	24	3/8-16 x 1 Carriage Bolt, Zinc Gr. 5	000125	4
12	Front Drive Shaft Weldment	830675	1	25	3/8 USS Flat Washer, Zinc	001035	4
13	3/4-10 Hex Nut, Gr. 5	000975	8				

** Left & Right floor boards must be cut to correct width

Pump Assembly (890178)



NOTES:

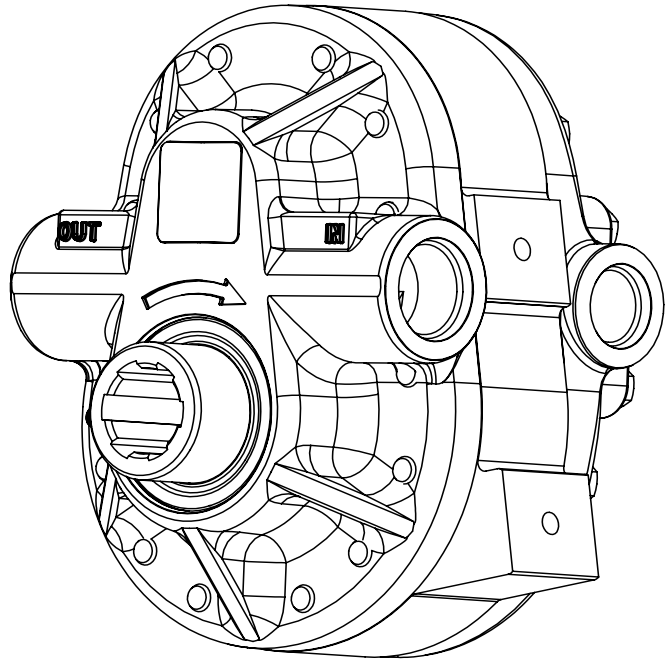
1. MAX. OPERATING PRESSURE 2250 PSI
2. MAX. OPERATING SPEED 600 RPM. (1100 RPM FOR HC-PTO-7A)
3. MAX. OPERATING TEMPERATURE 180°F.
4. TORQUE BOLTS TO 30-35 FT-LBS.
5. SEAL STOCK IS TO BE ASSEMBLED BETWEEN WEAR PLATE AND PROTECTOR AND THEN TRIMMED SO THAT FROM .25" TO .38" EXTENDS FROM WEAR PLATE ON EACH END. THE EXCESS IS THEN TUCKED BACK INTO WEAR PLATE SLOT ON THE OUTSIDE UNTIL IT'S FLUSH WITH THE WEAR PLATE EDGE.
6. DURING BREAK-IN, GEARS WILL RUB ON INLET SIDE OF BODY AND "MILL" A SLIGHT TRACK-IN GROOVE. THE TRACK-IN AREA SHOULD APPEAR SMOOTH AND WITHOUT DISTINCT SCORE LINES.

Ref#	Description	Part#	Qty
1	Front Plate	890377	1
2	Wear Plate, Front Side	890378	1
3	Protector Front Plate Side	890379	1
4	Seal*	890380	2
5	Back Plate	890381	1
6	Wearplate Backside	890382	1
7	Protector Back Plate Side*	890383	1
8	Shaft Seal*	890384	2
9	Idle Shaft Bearing	890385	2
10	Drive Shaft Bearing	890386	2
11	Body HC-PTO-2A	890387	1
12	Gear Assembly	890388	1
13	Drive Gear Assembly	890389	1
14	Dowel Pin	890390	2
15	Cap Screw	890391	12
16	Seal Kit	890392	1

Note: All items with * are included in Seal Kit.

* P/N 890178 has a serial number break only valid for serial numbers up to serial number 105940. Serial numbers higher will be the Wolverine Pump. Pumps are serial number specific. Prince pump no longer available.

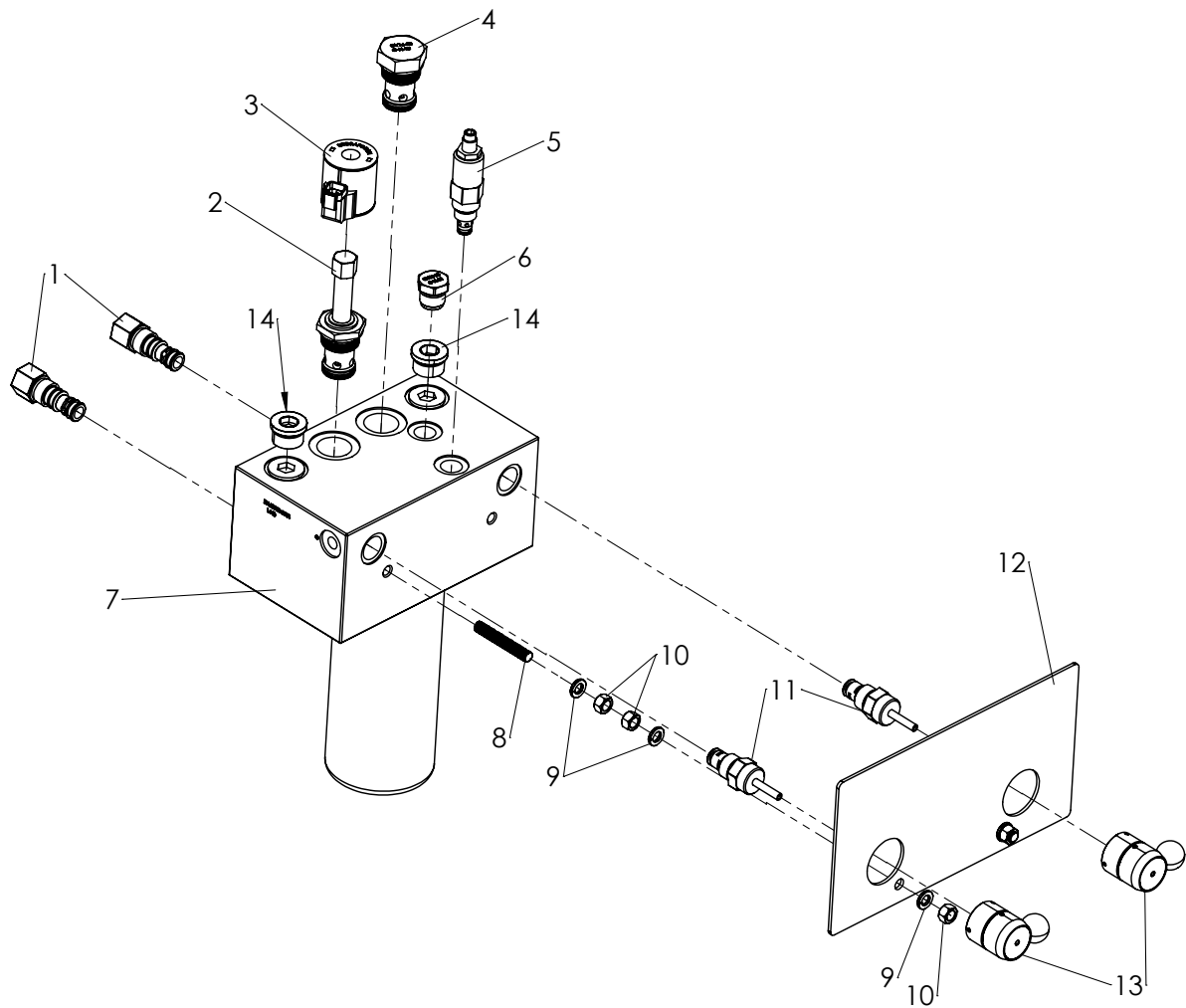
Wolverine- Pump Assembly



Ref#	Description	Part#
1	Wolverine- Pump Assembly	890178
2	Seal Kit	890189

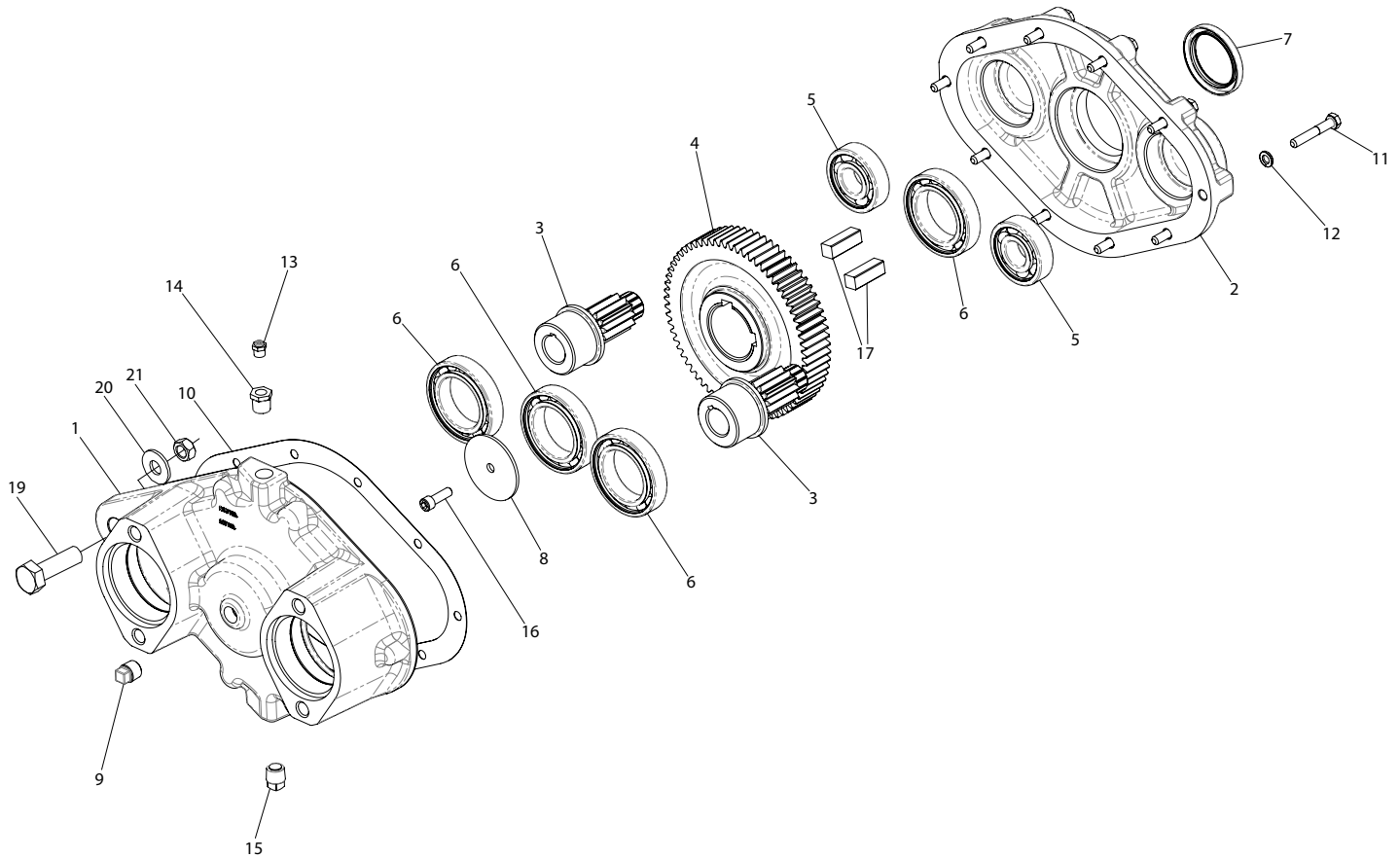
The Wolverine Pump is for serial numbers including 105941 and up. Any new orders for pumps will be for the Wolverine Pump.

Manifold Components



Ref#	Description	Part#	Ref#	Description	Part#
1	EP10-S35 40 Directional Valve	806140	8	3/8" x 2-1/2" Threaded Rod	890951
2	SV16-21 2 Way N/O Poppet Valve	830320	9	3/8" Lock Washer	000820
3	Solenoid Valve Coil	830325	10	3/8" Hex Nut	000915
4	CV16-20-0-N-15 Check Valve	830801	11	MR10-20A Flow Control Valve	806136
5	Relief Valve	830535	12	Manifold Face Plate	896418
6	CV10-20-0-N-02 Check Valve	830802	13	Control Knob, Detent	896413
7	Hydraulic Manifold with all valves included	890940	14	O-Ring Hollow Hex Plug 6408-HHP-12	830415

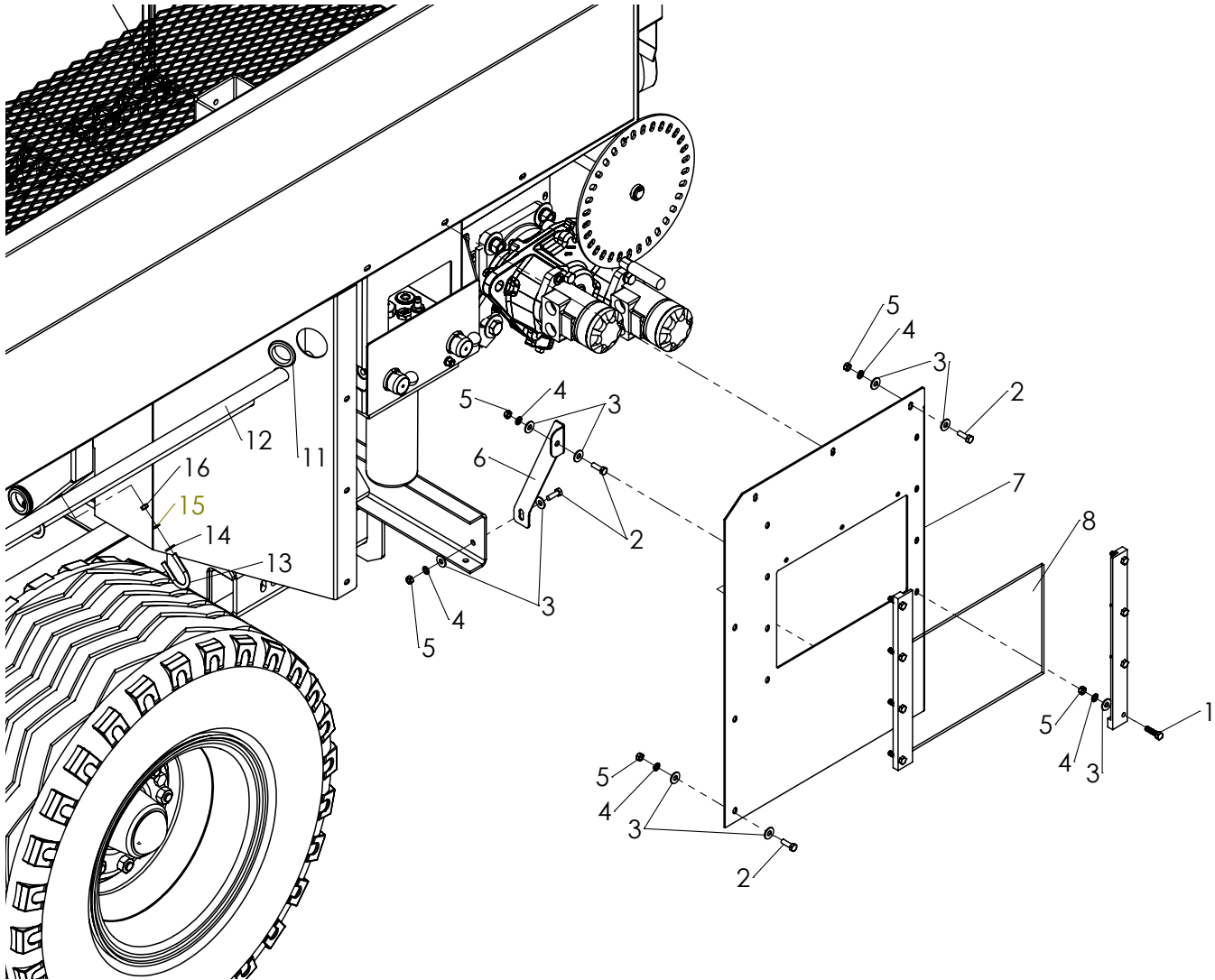
Gearbox Components



Ref#	Description	Part#
1	Outer Housing	801435
2	Inner Housing	801436
3	11 Tooth Spur Gear	801422
4	67 Tooth Spur Gear	801423
5	6305 C3 Ball Bearing	801424
6	6010 C3 Ball Bearing	801425
7	1.969-2.627-.312	801437
8	2.50 x .34 x .120 Washer	801427
9	3/8" NPT Square Head Plug w/ 3M	801428
10	IP39 Gasket	801438
11	5/16" x 2" Hex Head Bolt, Gr. 8	000122

Ref#	Description	Part#
12	5/16" Lock Washer	000810
13	1/8" NPT Vent Plug, 5 PSI	801430
14	3/8" NPT x 1/8" NPT Bushing	801431
15	3/8" NPT MAG Square Head Plug	801432
16	5/16" x 1" Gr. 8 Bolt	401434
17	1/2" x 1/2" x 1-1/2" Key	801439
18	Complete Gearbox	801418
19	5/8"-11 x 2-1/4" Hex Head Bolt, Gr.5 Zinc	000626
20	5/8 USS Flat Washer, Zinc	001075
21	5/8-11 Nylon Lock Nut, Gr.5 Zinc	000972

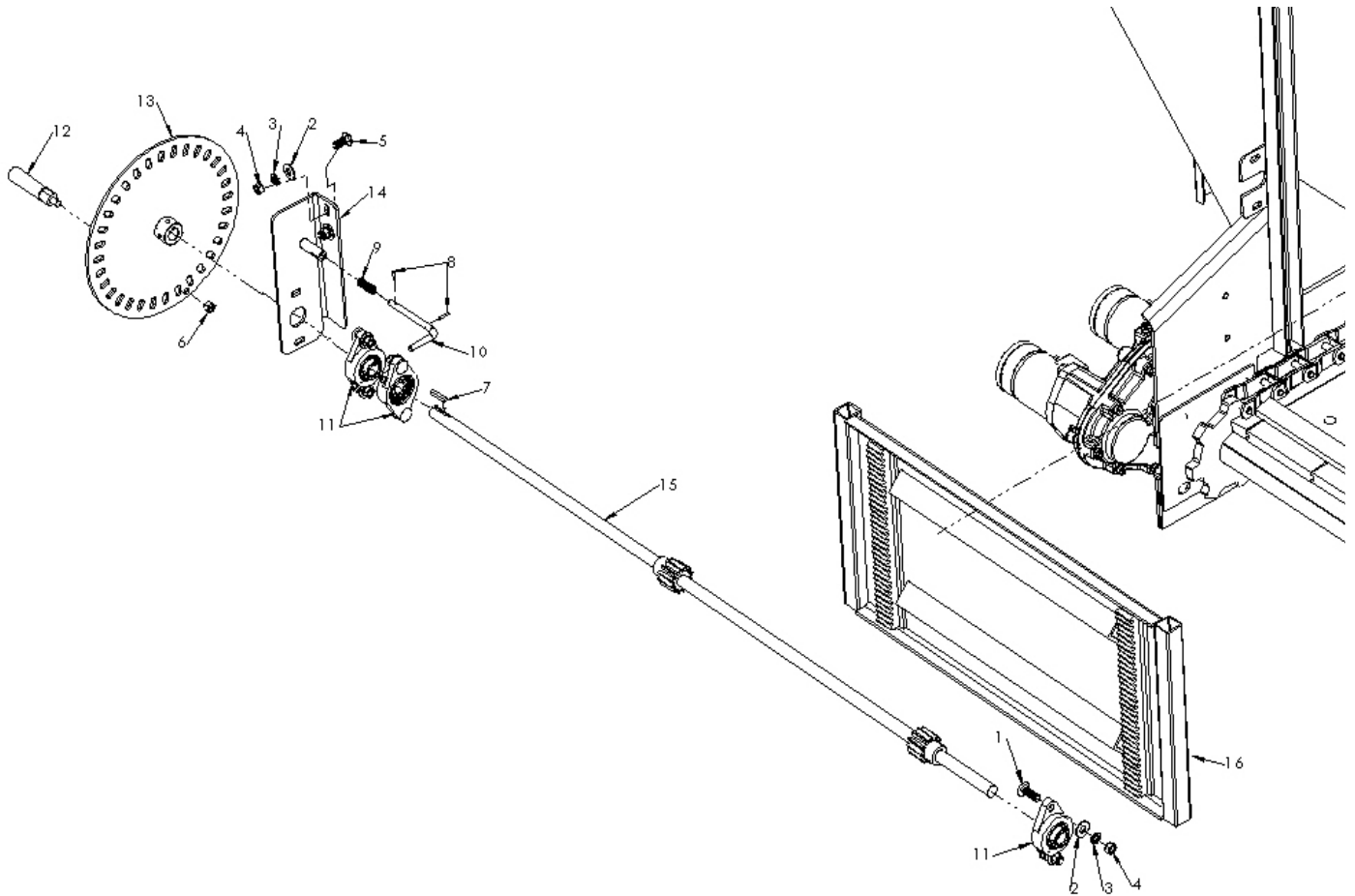
Manifold Cover



Ref#	Description	Part#	Qty
1	5/16-18 x 1-1/4 Hex Head Bolt	000230	8
2	5/16-18 x 1 Hex Head Bolt	000221	9
3	5/16 USS Flat Washer	001030	8
4	5/16 Lock Washer	000810	25
5	5/16-18 Hex Nut	000910	25
6	Bracket For Manifold Cover	890626	1
7	Manifold Cover Plate	890545	1
8	Flow Control Cover	890200	1

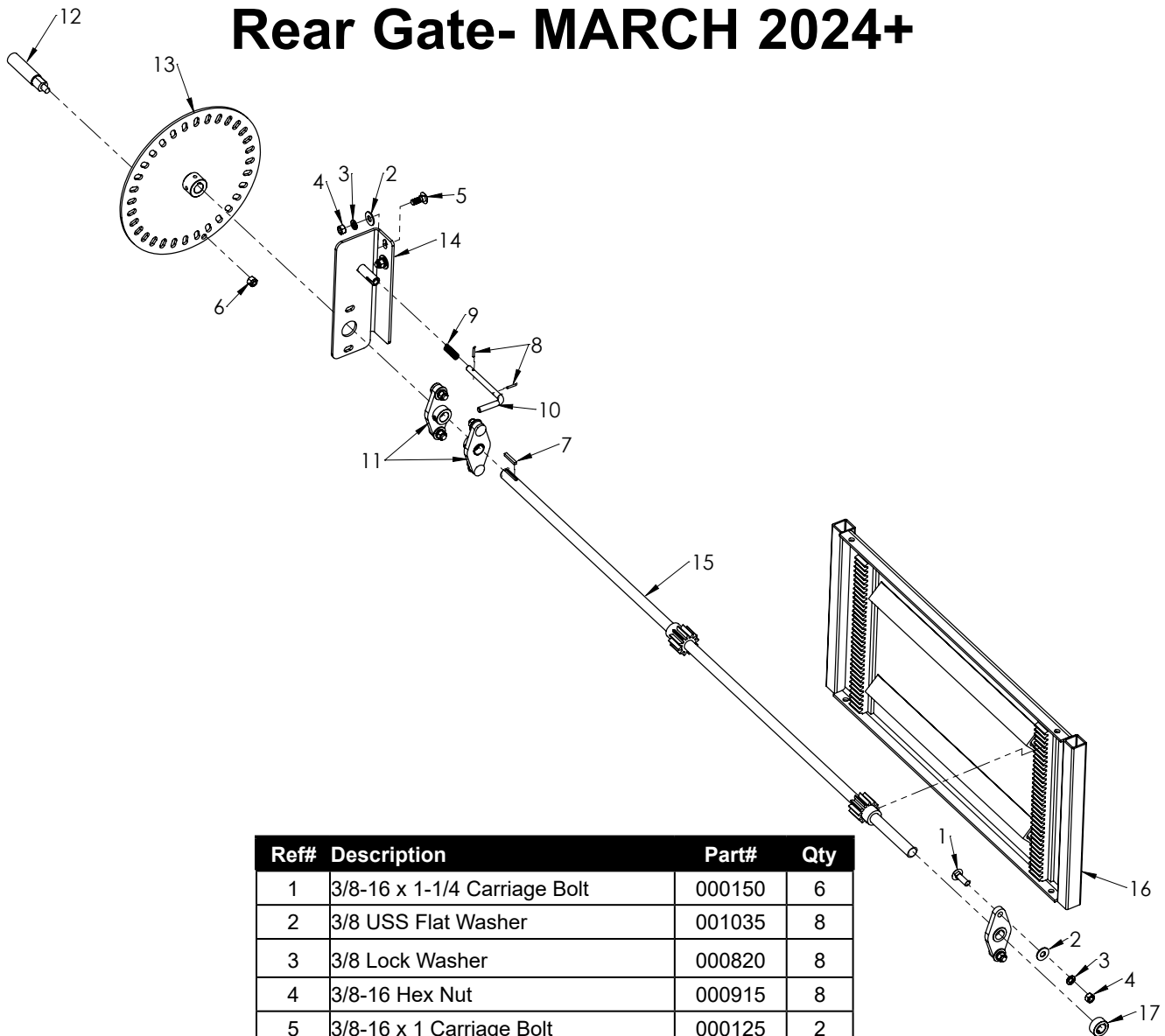
Ref#	Description	Part#	Qty
9	Manifold Window Slide, Right	890456	1
10	Manifold Window Slide, Left	890455	1
11	Grommet, 1-1/2" ID, 1/8" Groove	403796	5
12	LPV12 Hydraulic Line	890154	2
13	1/4"-20, 3/4 PIPE U-Bolt	705048	8
14	1/4" USS Flat Washer, Zinc	001020	16
15	1/4" Split Lock Washer Zinc	000805	16
16	1/4"-20 Hex Nut, Gr.5 Zinc	000900	16

Rear Gate



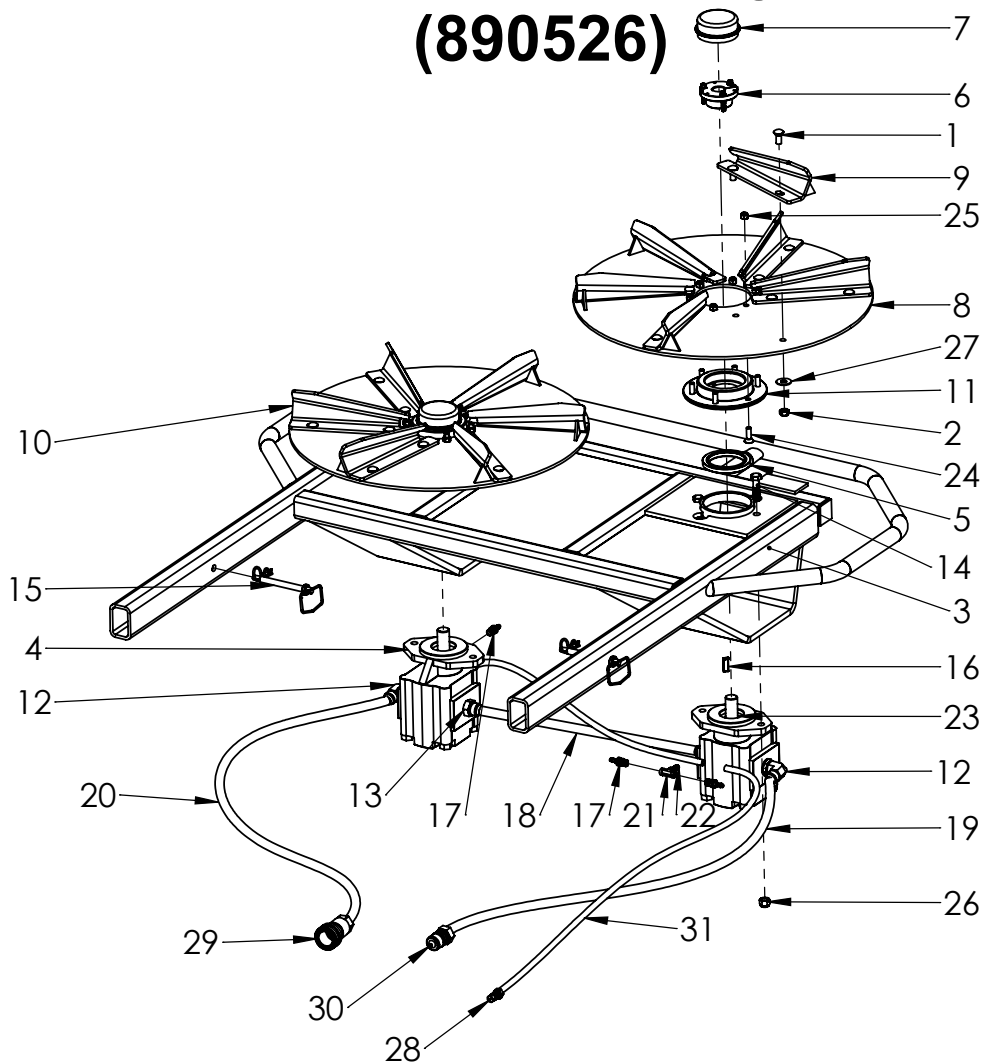
Ref#	Description	Part#	Qty
1	3/8-16 x 1-1/4 Carriage Bolt	000150	6
2	3/8 USS Flat Washer	001035	8
3	3/8 Lock Washer	000820	8
4	3/8-16 Hex Nut	000915	8
5	3/8-16 x 1 Carriage Bolt	000125	2
6	3/8-16 Nylon Lock Nut	003000	1
7	Key, 3/16 x 1-1/4	401264	1
8	1/8 x 3/4 Roll Pin Stainless Steel	000561	2
9	Latch Pin	806052	1
10	Endgate Latch Spring	806166	1
11	Bearing, 3/4" Dia, 2 Hole Flange	806108	3
12	Swivel Handle	890193	1
13	Endgate Wheel Weldment	806131	1
14	Endgate Wheel Lock Bracket, Bolt-On	890613	1
15	Endgate Shaft Weldment	890522	1
16	Endgate Weldment, V12	890504	1

Rear Gate- MARCH 2024+



Ref#	Description	Part#	Qty
1	3/8-16 x 1-1/4 Carriage Bolt	000150	6
2	3/8 USS Flat Washer	001035	8
3	3/8 Lock Washer	000820	8
4	3/8-16 Hex Nut	000915	8
5	3/8-16 x 1 Carriage Bolt	000125	2
6	3/8-16 Nylon Lock Nut	003000	1
7	Key, 3/16 x 1-1/4	401264	1
8	1/8 x 3/4 Roll Pin Stainless Steel	000561	2
9	Latch Pin	806052	1
10	Endgate Latch Spring	806166	1
11	Plastic Bushing Endgate Assembly	806275	3
12	Swivel Handle	890193	1
13	Endgate Wheel Weldment	806131	1
14	Endgate Wheel Lock Bracket, Bolt-On	890613	1
15	Endgate Shaft Weldment	890522	1
16	Endgate Weldment, V12	890504	1
17	.750 Plated Shaft Collar	502122	1

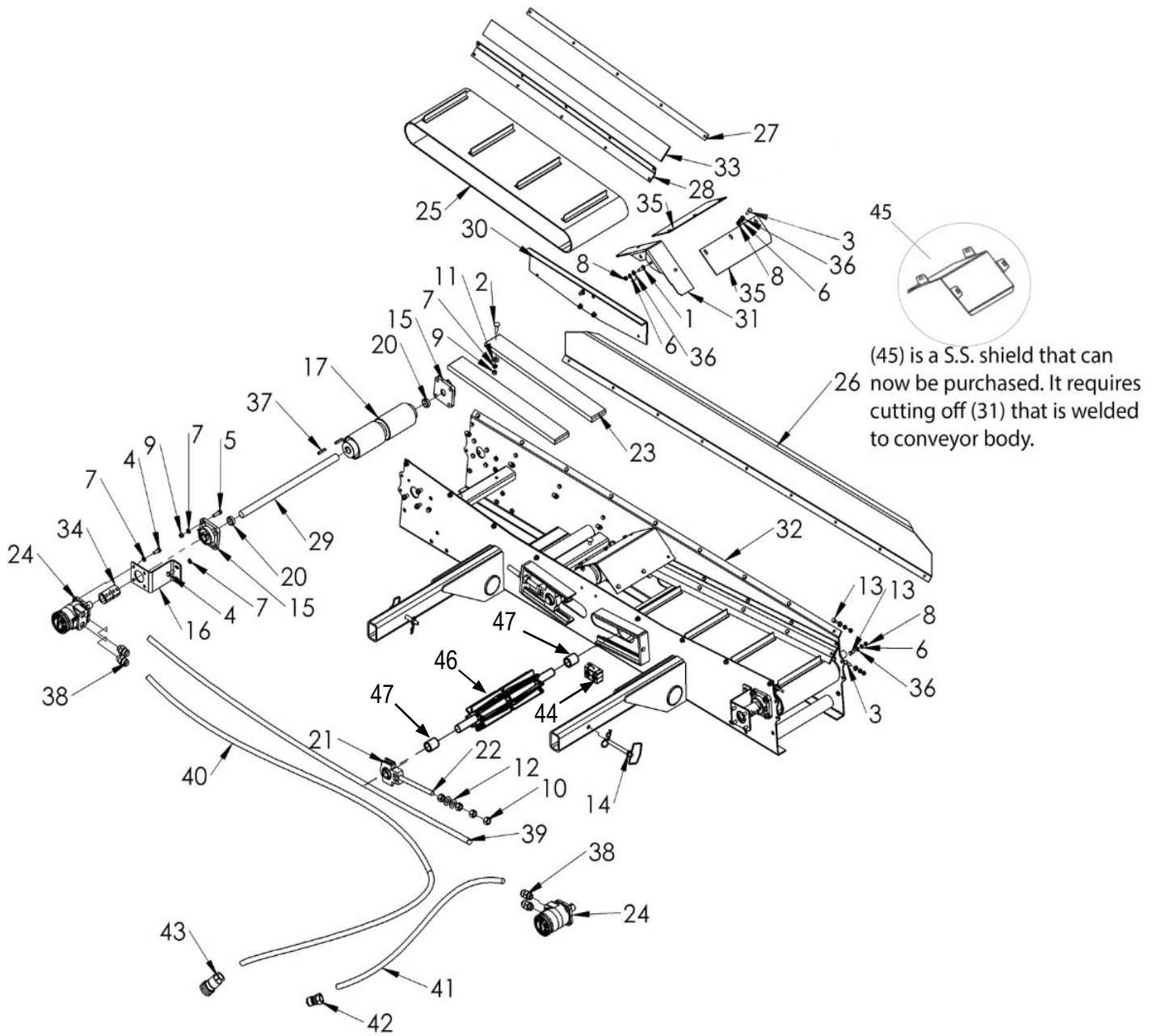
Dual Spinner Assembly Option (890526)



Ref#	Description	Part#	Qty
1	7/16-14 X 1 Carriage bolt Gr 5 Z	000356	24
2	7/16-14 Stover lock nut	000387	24
3	Spinner frame weldment	890527	1
4	Permco M2100 Double pump 1" shaft spinner motor	830318	2
5	Spinner Pilot Seal	830317	2
6	1" SDS tapered bushing	505420	2
7	3.35 Ag hub cap	830314	2
8	25" Bolt on spinner disc	830309	2
9	Left spinner paddle weldment	830267	6
10	Right spinner paddle weldment	830265	6
11	Tapered spinner hub	830629	2
12	6801-12-12	290022	2
13	6400-12-12	290065	2
14	1/2-13 x 2: HH bolt, Grade 5	000452	4
15	Hitch pin	100292	2
16	1/4 x 3/8 x 1-1/2" Key	830390	2

Ref#	Description	Part#	Qty
17	Brass push-on hose fitting	890036	3
18	15" Hose	890363	1
19	32" Hose	890362	1
20	56" Hose	890364	1
21	T-fitting	290033	1
22	1/4 x 1-1/2" Brass nipple	290039	1
23	Metric Seal 25.4 x 52 x 7	830389	2
24	3/8-16 x 1-1/4 Flat head socket cap screw, Zinc	000367	12
25	3/8-16 Top lock nut	000917	12
26	1/2-13 Nylock lock nut	000950	4
27	7/16 USS flat washer	001045	24
28	1/4 Male coupling	290197	1
29	3/4 Female coupling	290041	1
30	3/4 Male coupling	290040	1
31	72" Hose (cut in 2)	4LOLA+	1

Dual Side Conveyor Assembly Option (890540)

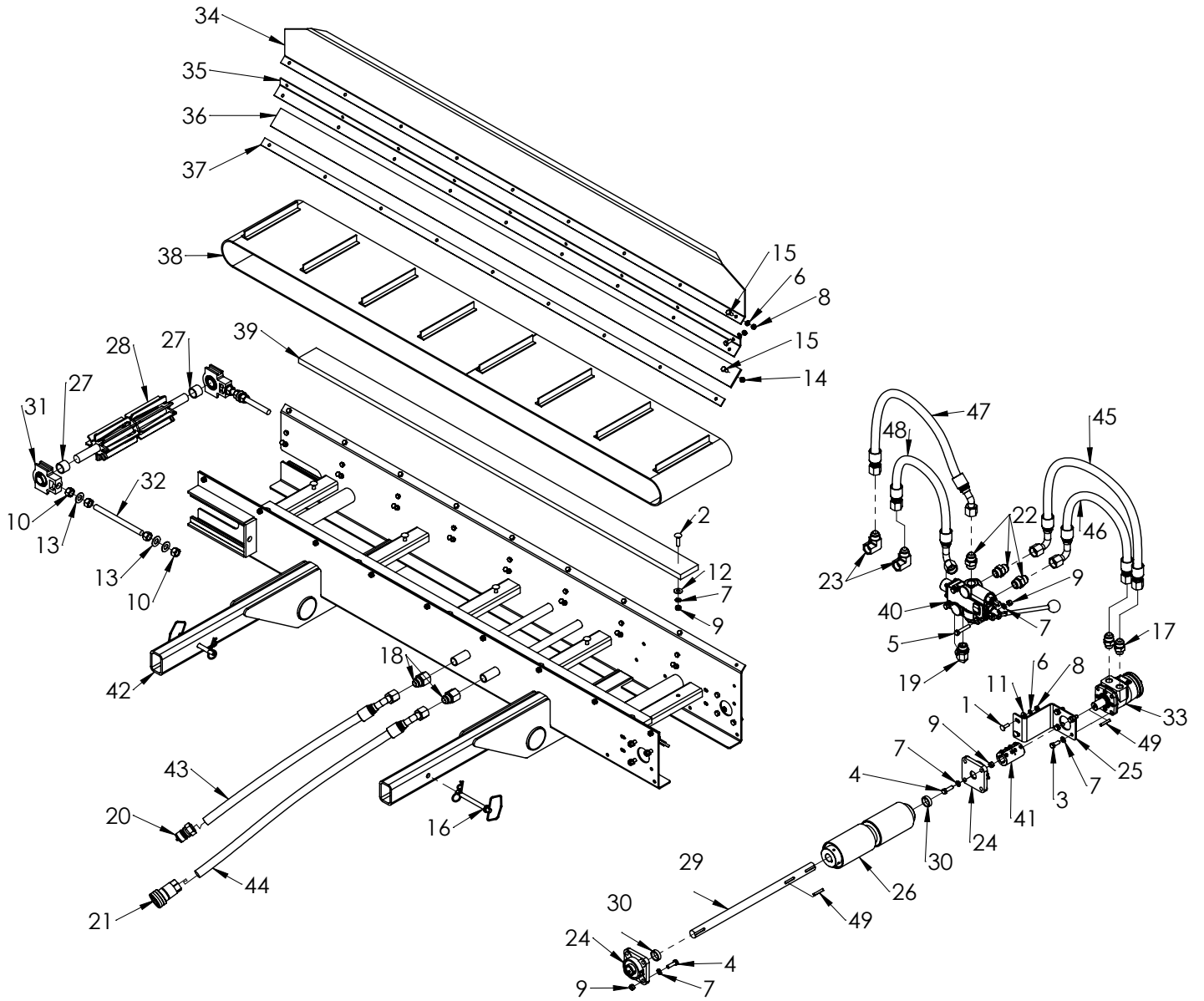


Dual Conveyor Assembly Option (890540)

Ref#	Description	Part#	Qty
1	5-16-18 x 1 Carriage Bolt	000124	2
2	3/8-16-2-1/2 Carriage Bolt	000151	8
3	5/16 x 1 Hex Head Bolt	000221	30
4	3/8-16 x 1 Hex Head Bolt	000270	12
5	3/8-16 x 1-1/4 Hex Head Bolt	000275	16
6	5/16 Lock Washer	000810	58
7	3/8 Lock Washer	000820	36
8	5/16 - 18Hex Nut	000910	58
9	3/8-16 Hex Nut	000915	24
10	5/8-11 Hex Nut	000970	16
11	3/8 USS Flat Washer	001035	8
12	5/8 SAE Standard Flat Washer	001076	8
13	5/16 x 3/4 Hex Head Bolt	010005	26
14	Hitch Pin	100292	2
15	1" Dia. 4 Bolt Flange Bearing	700053	4
16	Motor Bracket, Conveyor	800244	2
17	Conveyor Pulley	800520	4
18	Conveyor Puller Spacer	800563	4
19	Side Conveyor Idler Shaft	800578	2
20	Conveyor Pulley Spacer	800994	4
21	1" Takeup Bearing	806106	4
22	5/8-11 All-Thread	806139	4
23	Poly Board	890163	4
24	101-1011 Motor	890164	2

Ref#	Description	Part#	Qty
25	12" x 75" Cleated Belt	890167	2
26	Cross Conveyor Extension Side	890172	1
27	Hold Down Strip	890174	4
28	Skirtboard Strip	890175	4
29	LPV12 Conveyor Shaft	890277	2
30	Cross Conveyor Baffle, Front	890500	1
31	Cross Conveyor Divider Extension	890501	2
32	Cross Conveyor Weldment, 2x3 Mount	890541	1
33	Skirtboard Polyurethane	890166	4
34	1" Shaft Coupler, Split	890586	2
35	Dual Conveyor Flow Divider Extension	890961	2
36	5/16 Flat Washer	001030	58
37	Key, .25 x 1.5	902017	4
38	12MJ x 10MB Straight Fitting	290001	4
39	72", #12 Hose (12G-12FJX x 12G-12FJX)	890292	1
40	84", #12 Hose (12G-12FJX x 12G-12MP)	890291	1
41	20", #12 Hose (12G-12FJX90 x 12G-12MP)	890293	1
42	3/4 Male Coupling	290040	1
43	3/4 Female Coupling	290041	1
44	3/4" Hose Clamp	890402	1
45	Conveyor Flow Divider	890566	1
46	Hollow Pulley (used to be same as #17)	801450	2
47	Pulley Spacer	891234	4

Single Conveyor Option (890590)

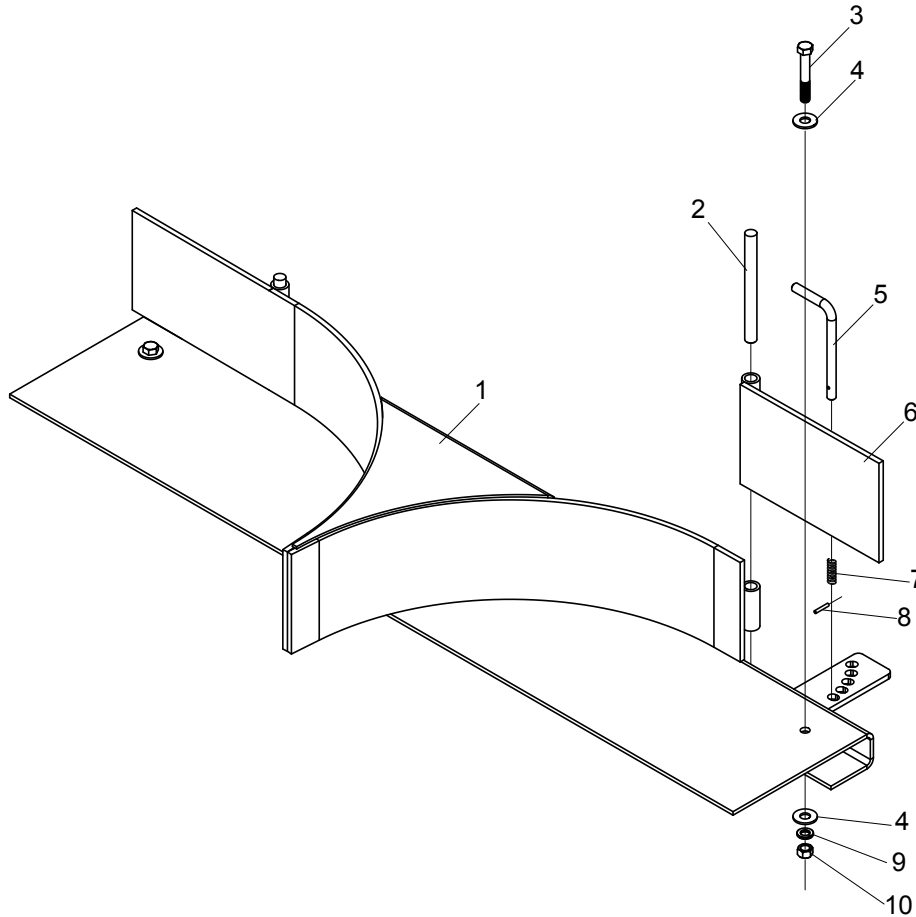


Single Conveyor Option (890590)

Ref#	Description	Part#	Qty
1	5/16" - 18 x 1" Carriage Bolt	000124	2
2	3/8-16 x 2-1/2 Carriage Bolt	000151	10
3	3/8-16 x 1.000 HH Bolt Zinc	000270	4
4	3/8-16 x 1.25 HH Bolt Zinc	000275	8
5	3/8-16 x 2 HH Bolt Zinc	000286	3
6	5/16 Lock Washer	000810	29
7	3/8 Split Lock Washer	000820	25
8	5/16-18 HH Nut Zinc	000910	29
9	3/8-16 Hex Nut zinc	000915	21
10	5/8-11 Hex Nut Zinc	000970	8
11	5/16 USS Flat Washer	001030	2
12	3/8 USS Flat Washer	001035	10
13	SAE Standard Washer	001076	6
14	5/16-18 Nylon Lock Nut	002999	18
15	5/16 x 3/4 HH Bolt, Plated	010005	45
16	Hitch Pin	100292	2
17	12MJ X 10MB Straight Fitting	290001	2
18	3/4" Female Ag Coupling	290019	2
19	12/12/6801	290022	1
20	3/4 Male Coupling	290040	1
21	3/4 Female Coupling	290041	1
22	12/12/6400	290065	3
23	90 Degree Elbow, - #12 MJ X #12 FP	290093	2
24	4 Bolt Flange Bearing, 1.0	700053	2
25	Motor Bracket, Conveyor	800244	1

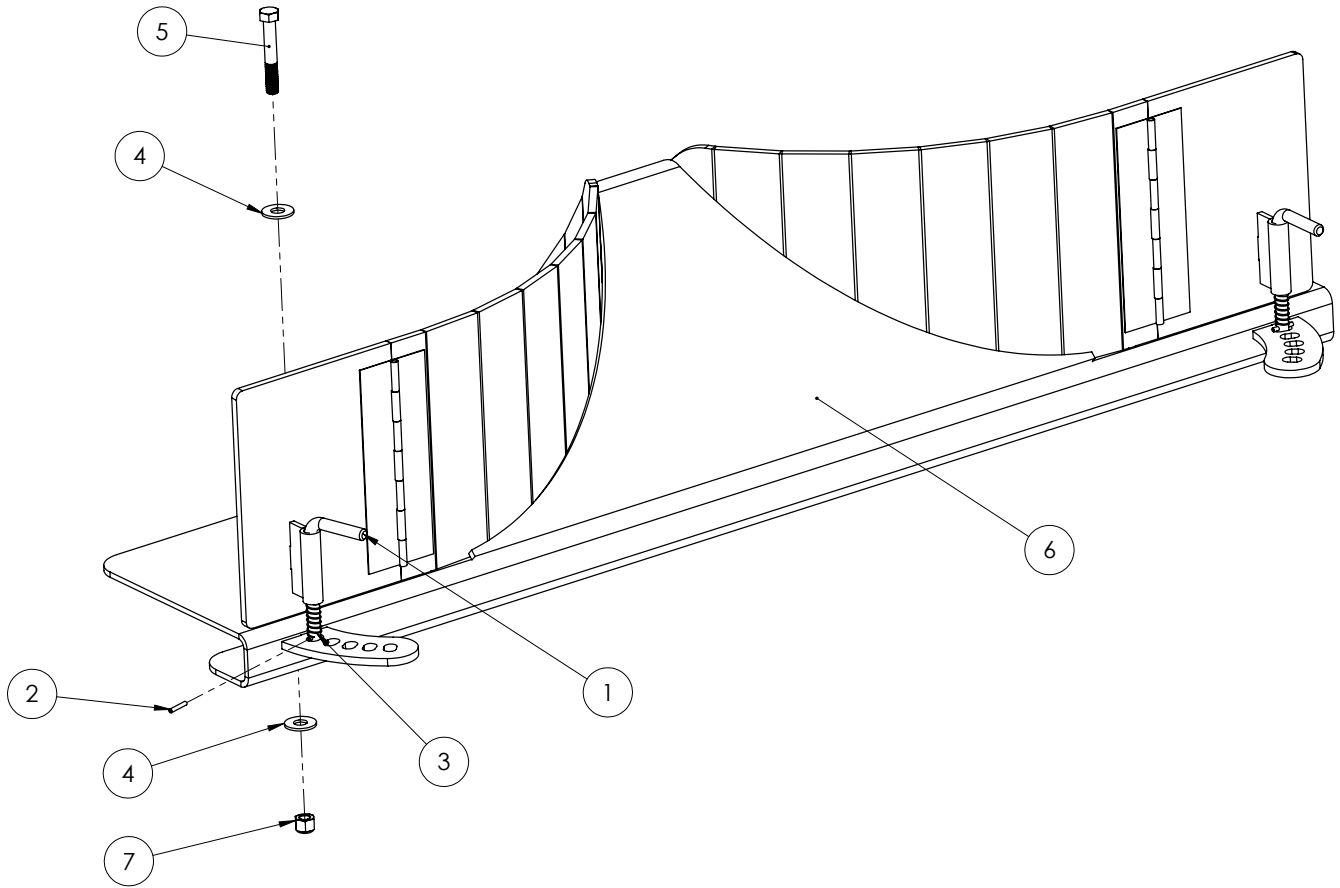
Ref#	Description	Part#	Qty
26	Conveyor Pulley	800520	1
27	Roller Spacer	800563	1
28	Hollow Pulley (used to be same as #26)	801450	1
29	Pulley Shaft	800542	1
30	Conveyor Pulley Spacer	800994	2
31	1 Inch Take Up Bearing	806106	2
32	5/8-11 All Thread	806139	2
33	101-1011 Motor	890164	1
34	Cross Conveyor Extension Side	890172	1
35	Skirtboard strip	890396	2
36	Skirtboard polyurethane	890398	2
37	Holddown Strip	890399	2
38	12" X 154" Cleated Belt	890400	1
39	Poly Board	890401	2
40	Motor Spool Valve	890403	1
41	1" Shaft Coupling, Split	890586	1
42	Cross Conveyor Weldment	890591	1
43	41" HOSE (12FJX45 x 12MP)	890943	1
44	26" HOSE (12FJX45 x 12MP)	890944	1
45	29" HOSE (12FJS x 12FJX90S)	890945	1
46	21" HOSE (12FJS x 12FJX90S)	890946	1
47	29" HOSE (12FJX45 x 12FJX)	890947	1
48	27" HOSE (12FJX90 x 12FJX)	890948	1
49	.25 x 1.5 Key	902017	2

Dual Side Deflector Option (Before 2025 - 5" Tall)



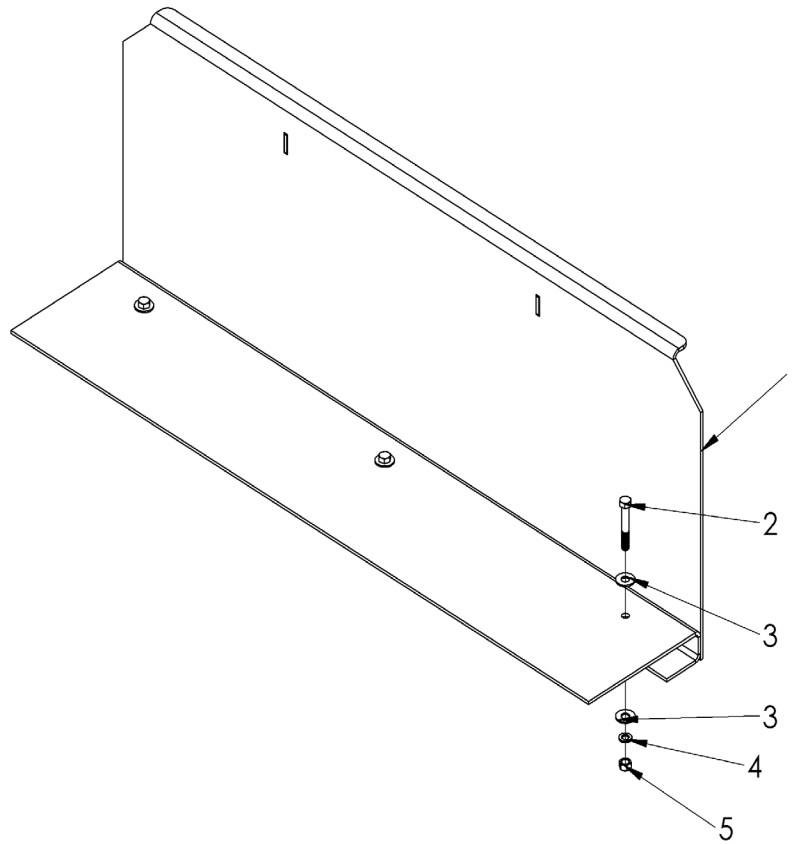
Ref#	Description	Part#	Qty
1	Deflector Frame	890179 (no longer available)	1
2	Hinge Pin	801063	2
3	Bolt, 3/8 x 2-1/2	000300	3
4	Flat Washer, 3/8	001035	6
5	Latch Pin	806052	2
6	Flow Deflector, Left	890181	1
	Flow Deflector, Right	890180	1
7	Spring	806166	2
8	Roll Pin	000561	2
9	Lockwasher, 3/8	000820	3
10	Nut, 3/8	000915	3

Dual Side Deflector Option (894003 - 8" Tall - Jan 2025+)



Ref#	Description	Part#	Qty
1	Latch Pin SS	806052	2
2	1/8 x 3/4 SS Roll Pin	000561	2
3	Spring SS	806166	2
4	3/8 USS Flat Washer	001035	4
5	3/8 x 2 1/2 Hex Head Bolt	000300	2
6	Spinner Deflector Weldment	890654	1
7	3/8-16 Nylon Lock Nut	003000	2

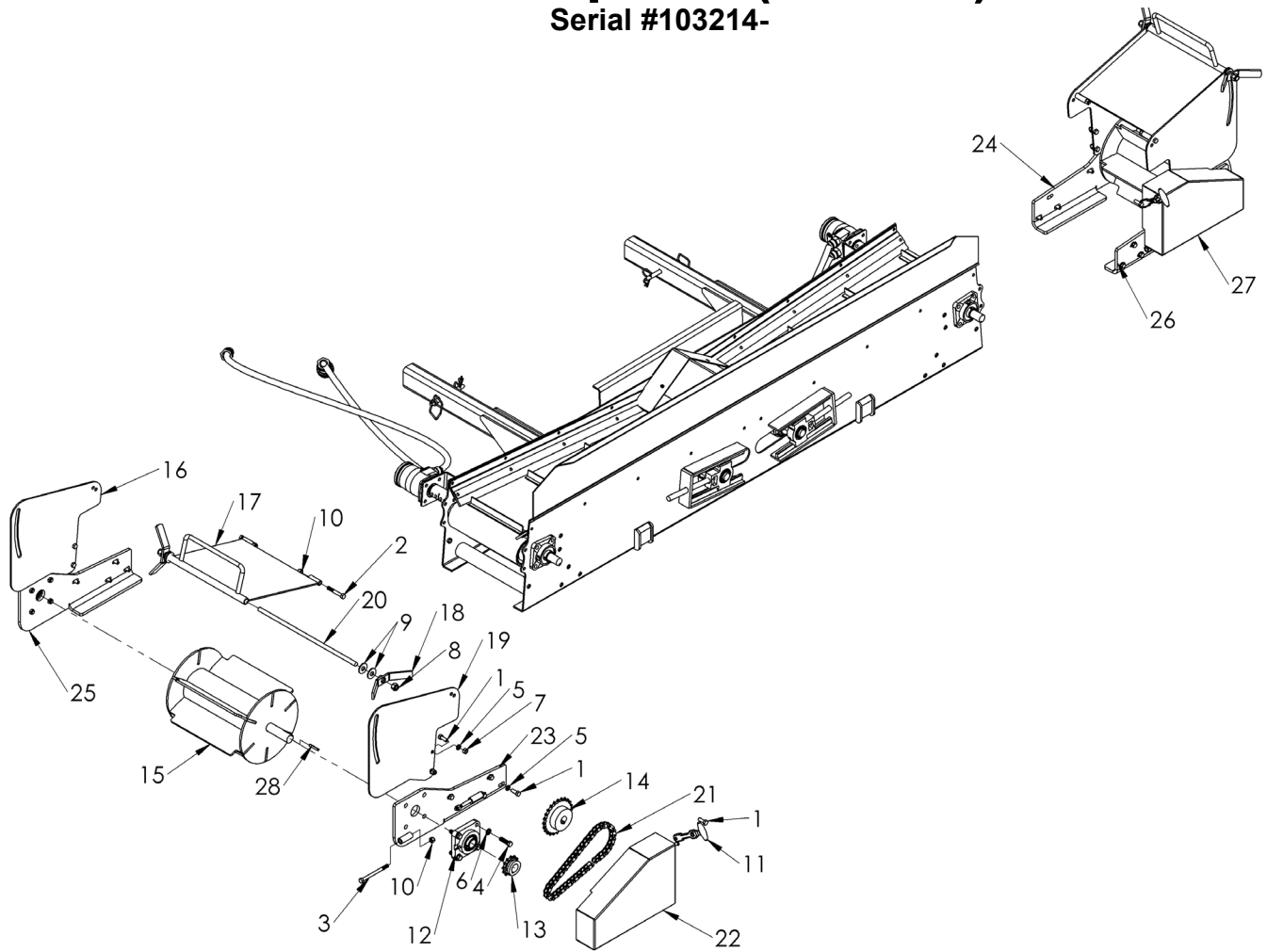
Deflector Option (Tall)



Ref#	Description	Part#	Qty
1	Spinner Deflector Weldment, 16" Tall	890535	1
2	3/8-16 x 2-1/2 Hex Head Bolt	000300	3
3	3/8 USS Flat Washer	001035	6
4	3/8 Lock Washer	000820	3
5	3/8-16 Hex Nut	000915	3

Flicker Option (890563)

Serial #103214-

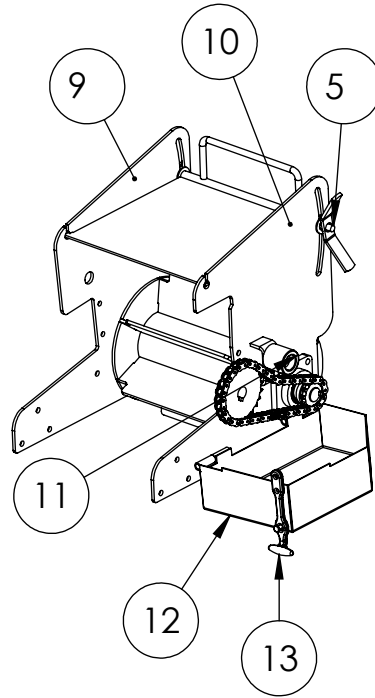
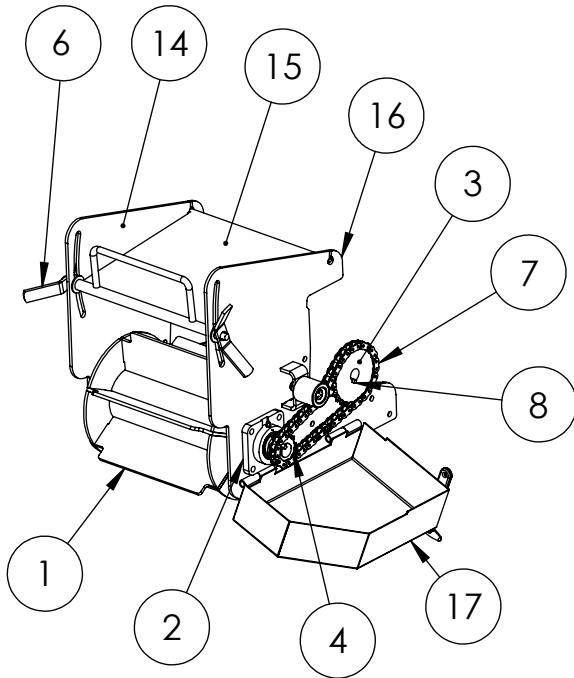


Ref#	Description	Part#	Qty
1	3/8-16 x 1.000 HH Bolt Zinc	000270	24
2	3/8 x 2 1/2 Hex Head Bolt	000300	4
3	3/8-16 x 4-1/2 Hex Head Bolt	000325	2
4	7/16-14 x 1-1/2 HH Bolt,	000360	16
5	3/8 Split Lock Washer	000820	22
6	7/16 Split Lock Washer	000830	16
7	3/8-16 Hex Nut zinc	000915	8
8	1/2-13 Nylon Lock Nut	000950	4
9	1/2 USS Flat Washer, Plated	001055	8
10	3/8-16 Nylon Lock Nut	003000	6
11	Rubber Handle	400092	2
12	1-1/8" 4 Hole Flange Bearing	400104	4
13	FLICKER DRIVE SPROCKET	830665	2
14	FLICKER SPROCKET	830666	2

Ref#	Description	Part#	Qty
15	Flicker Weldment	890254	2
16	Flicker Side	890265	2
17	Flicker Deflector Weldment	890268	2
18	Tightner Handle	890272	4
19	Flicker Side Panel	890274	2
20	1/2-13 THREADED ROD	890287	2
21	#50 Roller CHAIN	890290	2
22	FLICKER SHEILD, HINGED, LH	890564	1
23	Flicker Mount Weldment	890567	1
24	Flicker Mount Weldment, RH	890568	1
25	Flicker Bracket Weldment, LH	890569	1
26	Flicker Bracket Weldment, Hinged, RH	890570	1
27	FLICKER SHEILD, HINGED, RH	890576	1
28	.25 x 1" Key	400114	4

Flicker Option (894005)

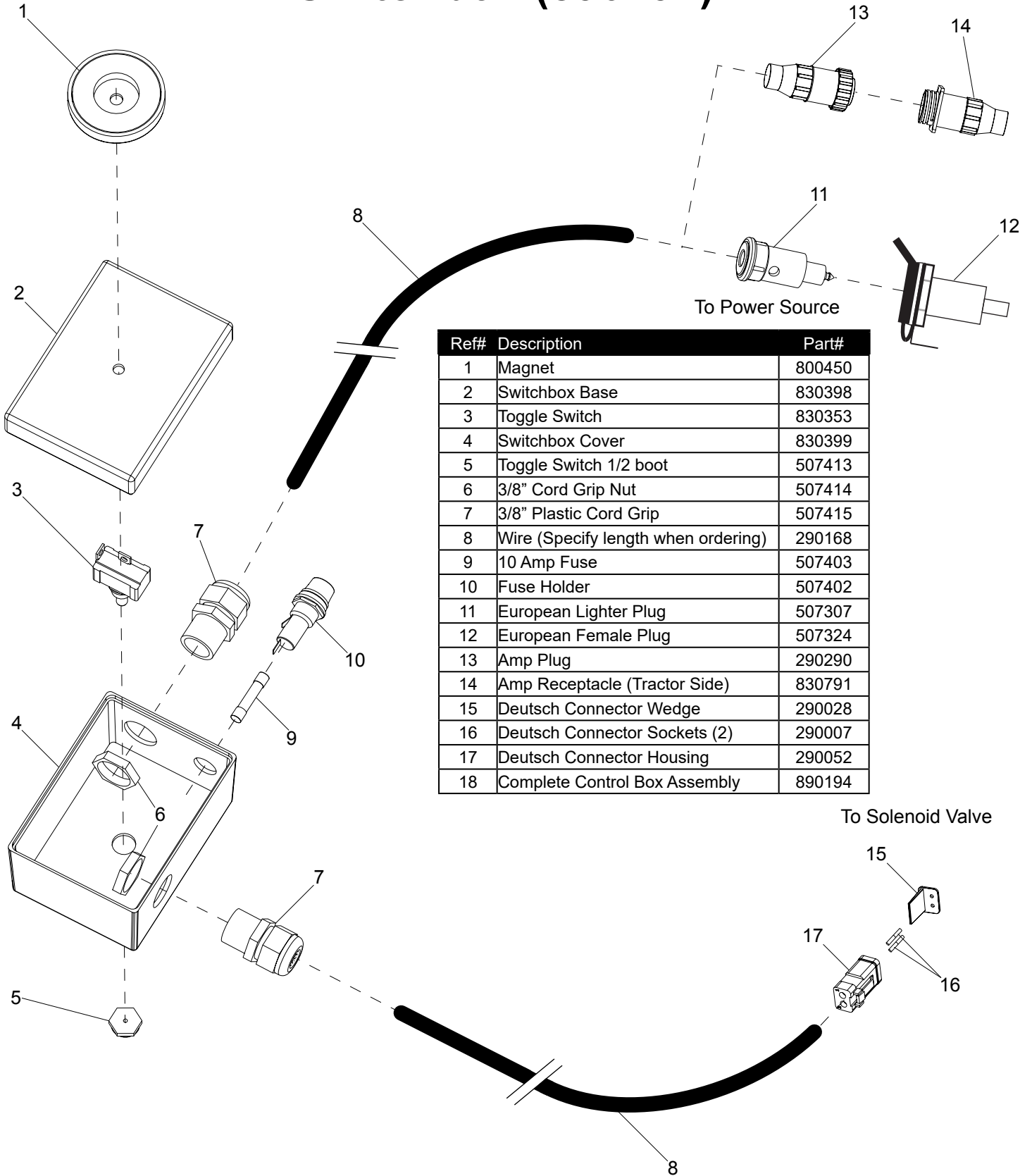
Serial #103214+



Ref#	Description	Part#	Qty
1	Flicker Weldment	890254	2
2	1-1/8" 4 Hole Flange Bearing	400104	4
3	Flicker Sprocket	830666	2
4	Flicker Drive Sprocket	830665	2
5	1/2-13 Threaded Rod	890287	2
6	Tightener Handle	890272	4
7	#50 Roller Chain	890290	2
8	1/4 X 1" Key	400114	4
9	Flicker Side Plate Wldmnt.	890471	1
10	Flicker Side Panel RR	890470	1
11	Flicker Chain Tensioner	890466	2
12	Flicker Shield Right	890473	1
13	Rubber Handle	400092	2

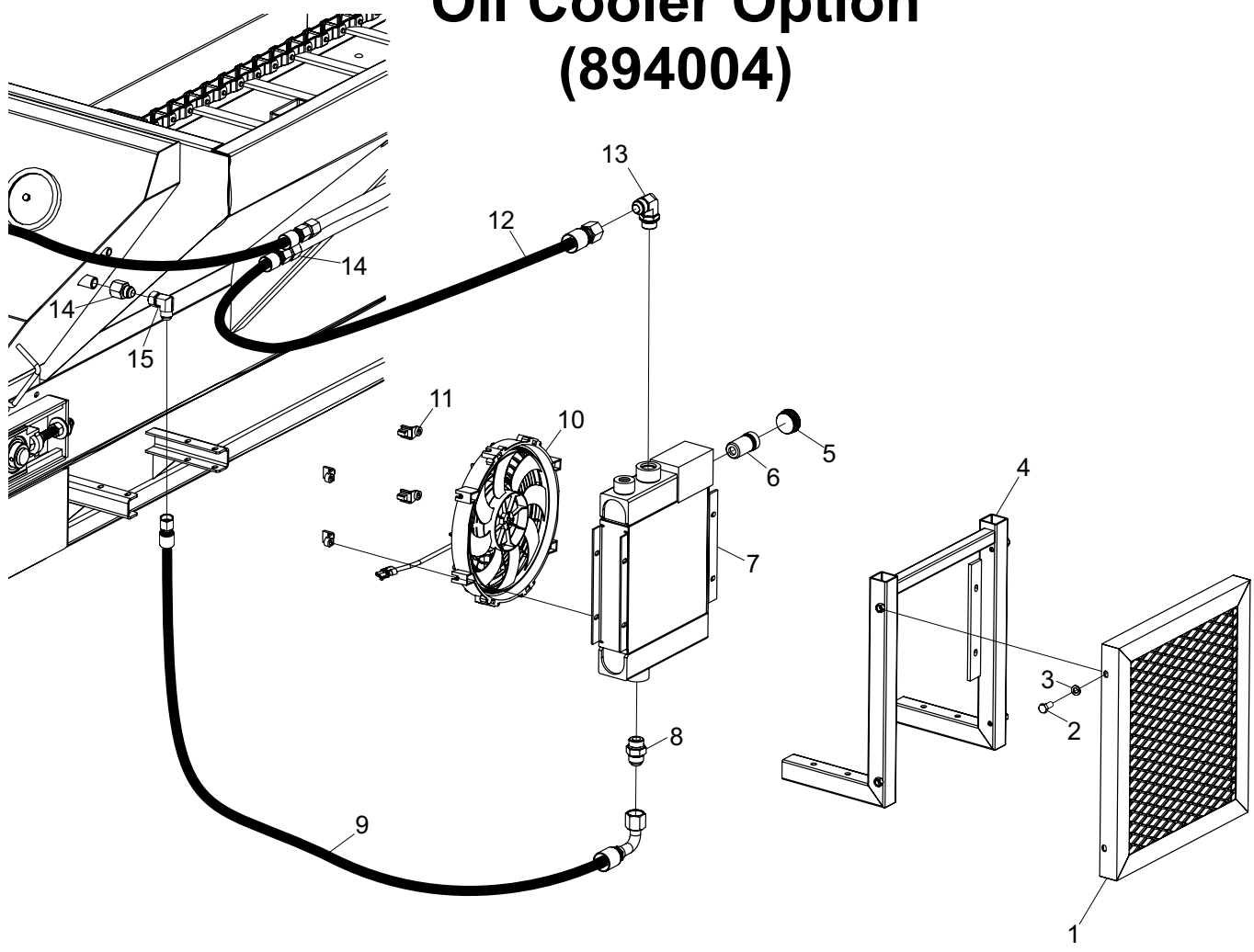
Ref#	Description	Part#	Qty
14	Flicker side Wldmnt	890475	1
15	Flicker Deflector Wldmnt	890472	2
16	Flicker side Lft Rear	890474	1
17	Flicker Shield Left	890476	2

Switchbox (890194)



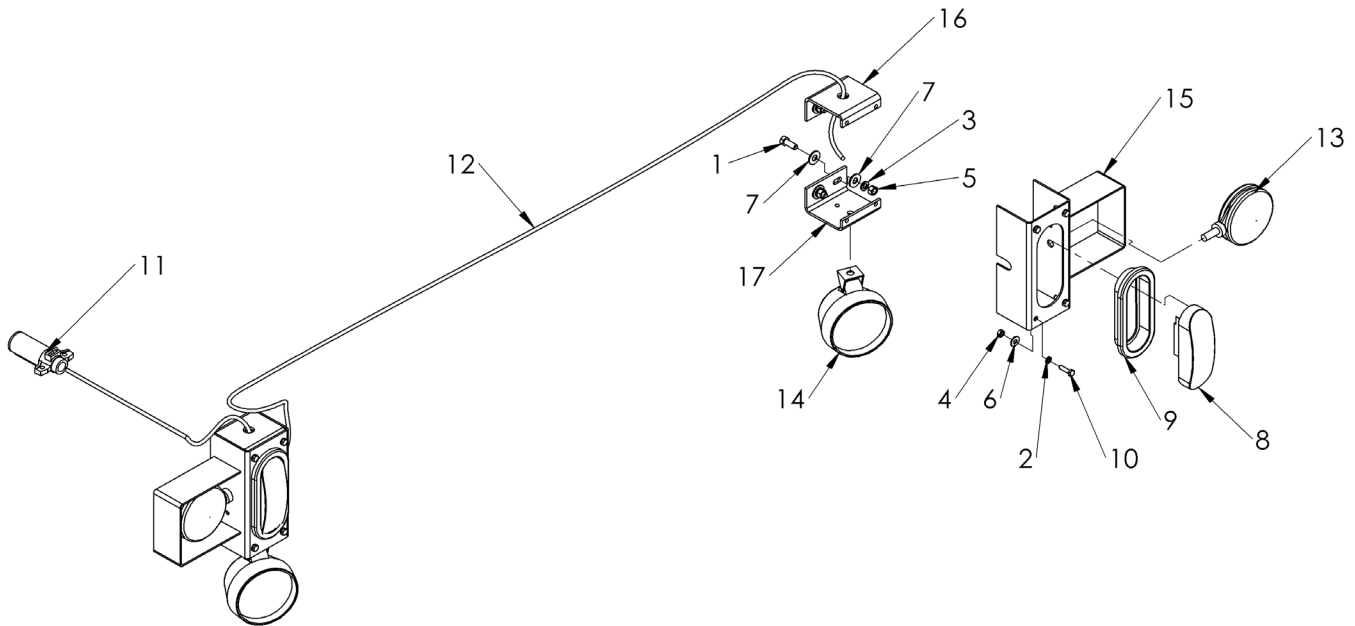
Ref#	Description	Part#
1	Magnet	800450
2	Switchbox Base	830398
3	Toggle Switch	830353
4	Switchbox Cover	830399
5	Toggle Switch 1/2 boot	507413
6	3/8" Cord Grip Nut	507414
7	3/8" Plastic Cord Grip	507415
8	Wire (Specify length when ordering)	290168
9	10 Amp Fuse	507403
10	Fuse Holder	507402
11	European Lighter Plug	507307
12	European Female Plug	507324
13	Amp Plug	290290
14	Amp Receptacle (Tractor Side)	830791
15	Deutsch Connector Wedge	290028
16	Deutsch Connector Sockets (2)	290007
17	Deutsch Connector Housing	290052
18	Complete Control Box Assembly	890194

Oil Cooler Option (894004)



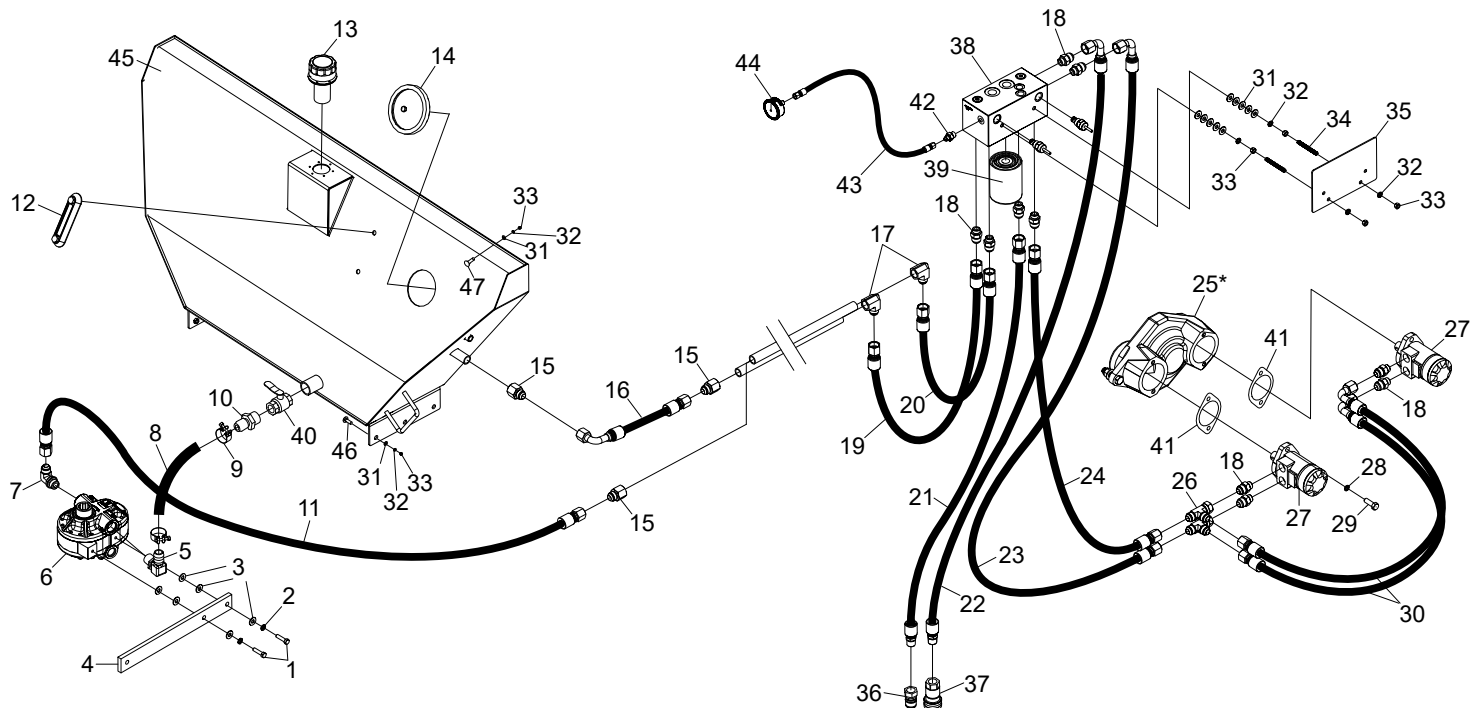
Ref#	Description	Part#
1	Cooler Grill Weldment	801166
2	5/16-18 x 3/4 Truss Head Bolt, Zinc	000210
3	5/16 Lock Washer, Zinc	000810
4	Cooler Frame Weldment	801160
5	#20 Plug	890459
6	Oil Cooler Check Valve	890462
7	Oil Cooler Core	890463
8	Straight Fitting, #12 MJ x #12 MB	290065
9	45-1/2" Hose Assembly (12FJX90S - 12FJX)	891211
10	Oil Cooler Fan W/Shroud	890460
11	Oil Cooler Fan Mounting Bracket	890461
12	27" Hose Assembly (12FJX - 12FJX)	890357
13	90 Degree Fitting, #12 MJ x #12 MB	290022
14	Straight Fitting, - #12 MJ x #12 FP	290019
15	90 Degree Elbow, - #12 MJ x #12 FJX	290150
16	Complete Oil Cooler	890209

Light Package Option (890599)



Ref#	Description	Part#	Qty
1	3/8-16 x 1.000 HH Bolt Zinc	000270	8
2	1/4 Split Lock Washer	000805	8
3	3/8 Split Lock Washer	000820	8
4	1/4-20 Hex Nut Zinc	000900	8
5	3/8-16 Hex Nut zinc	000915	8
6	1/4 USS Flat Washer	001020	8
7	3/8 USS Flat Washer	001035	16
8	6" Oval Tail Light, L.E.D.	100055	2
9	6" Oval Tail Light Grommet	100140	2
10	1/4-20 x 1 HH Bolt, Gr5	100148	8
11	Cole Hersee Plug	100447	1
12	(V12) Trailer Cable, 6 Contact 14 GA	290253	1
13	Light, Pedestal Mount Dual Face	507164	2
14	Flood Light	507176	2
15	Light Box Weldment	702506	2
16	Light Bracket Mount, top	890523	2
17	Light Bracket Mount, BOTTOM	890524	2

Hydraulics



Ref#	Description	Part#
1	3/8" x 1-1/2" Hex Head Bolt	000280
2	3/8" Split Lock Washer	000820
3	3/8" Flat Washer	001035
4	Pump Holder	801052
5	90 Degree Elbow (20HB x 16MB)	290080
6	PTO Pump	890178
7	90 Degree Elbow (12MJ x 12MB)	290022
8	72" Suction Hose	830689
9	1-1/2" SV Hose Clamp	290169
10	Straight Fitting (20HB x 20MP)	290187
11	111" Hose Assembly (12FJX x 12FJX)	830688
12	Hydraulic Tank Sight Gauge	290054
13	4" Tank Filler Breather Cap	290142
14	6" Tank Door	290044
15	Straight Fitting (12MJ x 12FP)	290019
16	27" Hose Assembly	830336
17	90 Degree Elbow (12MJ x 12FP)	290093
18	Straight Fitting (12MJ x 10MB)	290001
19	22" Hose Assembly (12FJX - 12FJX)	830681
20	25" Hose Assembly (12FJX - 12FJX)	830682
21	12" Hose Assembly (12FJX x 12MP)	830683
22	19" Hose Assembly (12FJX90S x 12MP)	830684
23	24" Hose Assembly (12FJX90S - 12FJX)	830686
24	21" Hose Assembly (12FJX - 12FJX)	830685
25	6:1 Double Drive Gearbox	801418

Ref#	Description	Part#
26	T-Fitting (12MJ x 12FJX x 12MJ)	290034
27	Drive Motor	830171
28	1/2" Lock Washer	000840
29	1/2" x 1-1/2" Hex Head Bolt	000435
30	23" Hose Assembly (12FJX90 x 12FJX)	890333
31	3/8" Flat Washer	001035
32	3/8" Lock Washer	000820
33	3/8" Hex Nut	000915
34	3/8" x 3-1/4" Threaded Rod	902245
35	Manifold Face Plate	890451
36	3/4" Male Ag Coupling	290040
37	3/4" Female Ag Coupling	290041
38	Manifold	890940
39	Oil Filter	890962
40	Ball Valve	830355
41	2 Bolt Flange Gasket	830251
42	Straight Fitting, - #4 MJ x #6 MB	700908
43	12" Hose Assembly (4FJX x 4FJX)	830812
44	SPG Pressure Gauge	290293
45	Oil Tank	890410
46	3/8-16 X 1-1/4 Hex Head Bolt, Gr.5 Zinc	000275
47	3/8-16 X 1 Hex Head Bolt, Gr.5 Zinc	000125