



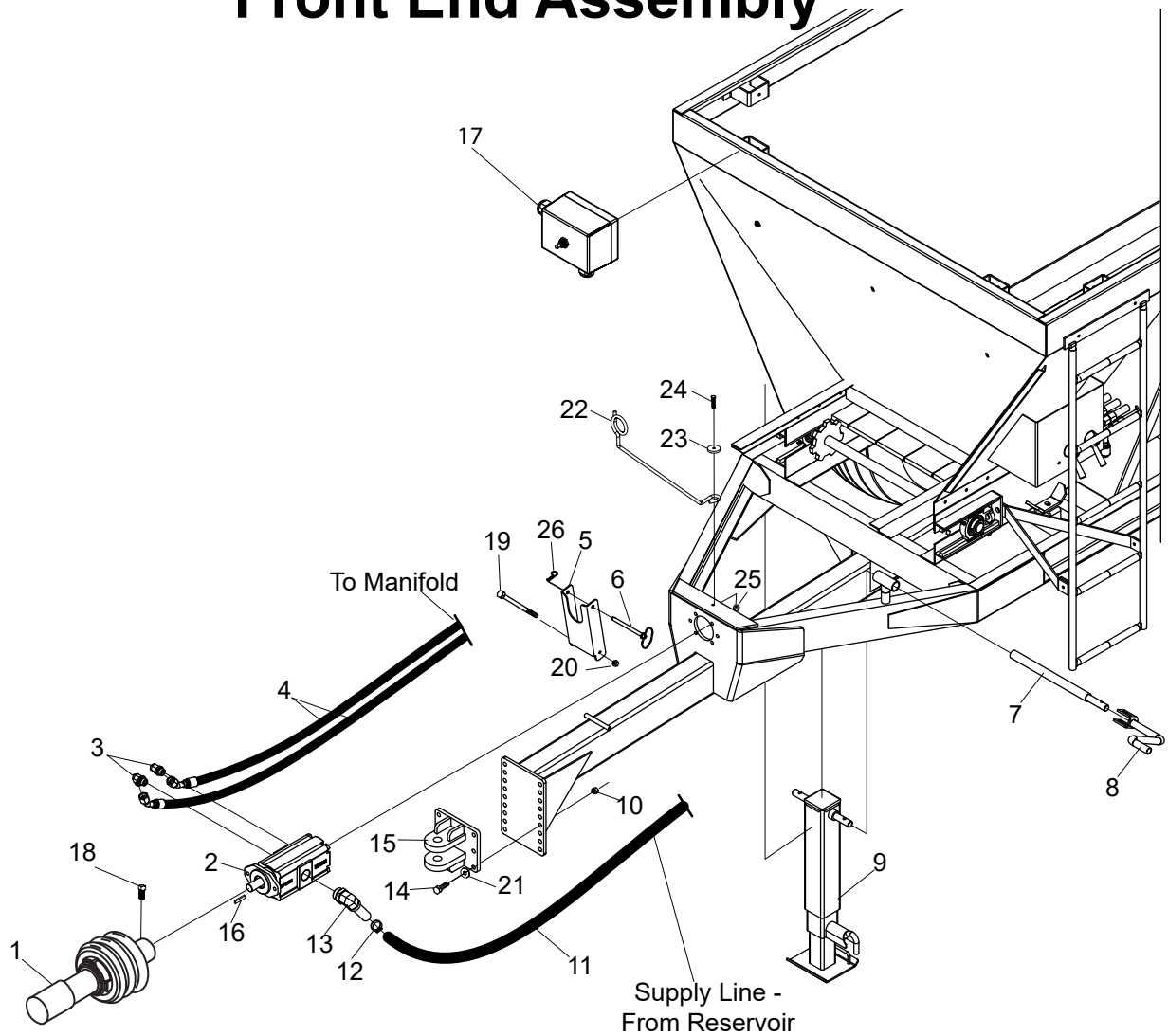
Lime Spreader

Model SL10

Illustrated Parts Breakdown

Page 1	Front End
Page 2	Hydraulic System
Page 3	Hydraulic Manifold
Page 4	Switch Box
Page 5	Floor & Apron
Page 6	Axle Assembly
Page 7	Heavy Duty Axle Assembly
Page 8	Apron Drive
Page 9	Rear Gate
Page 10	Gearbox Components S/N -95417
Page 11	Gearbox Components S/N 95417+
Page 12	Spinner Assembly

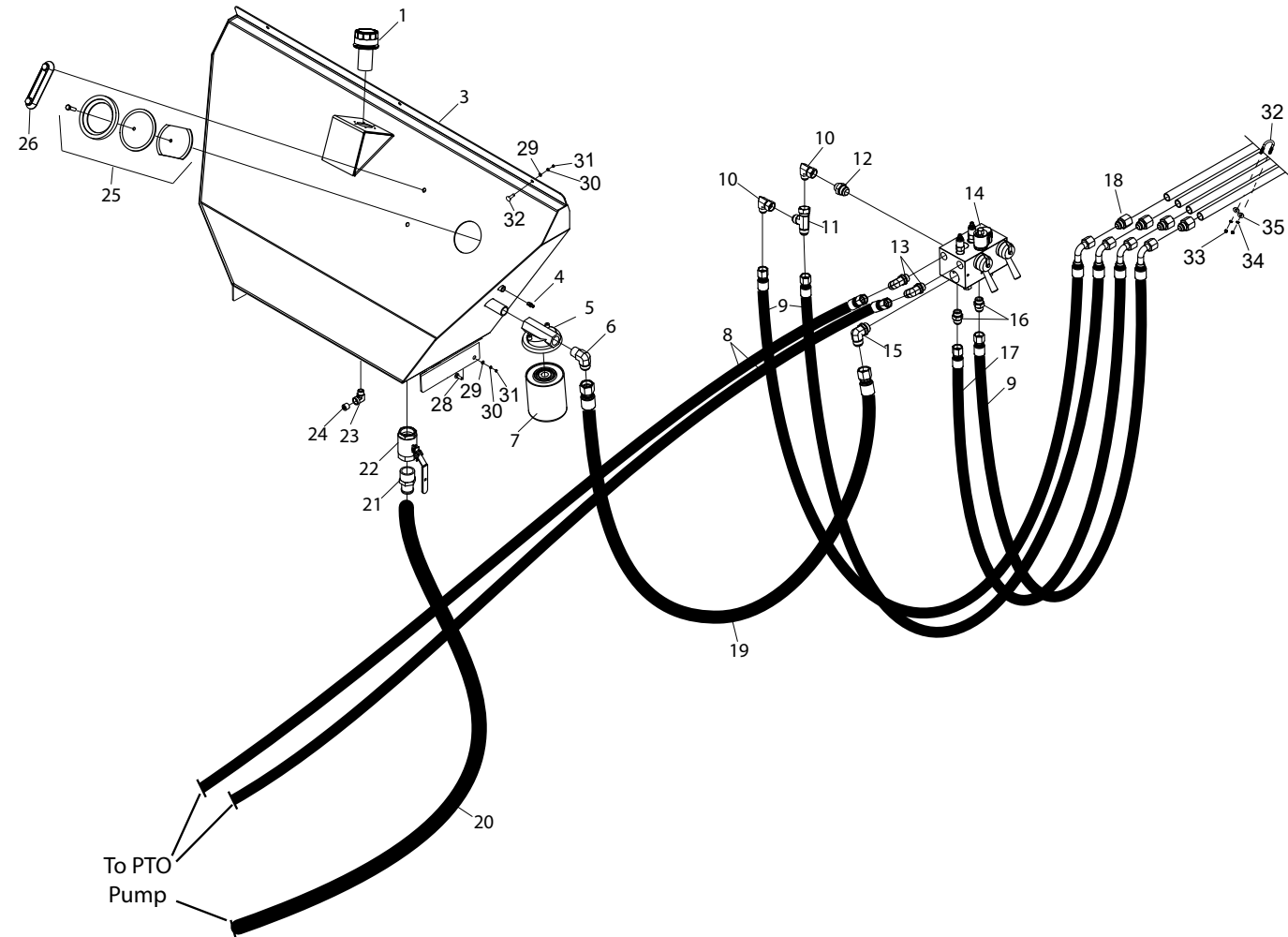
Front End Assembly



Ref#	Description	Part#
1	Complete PTO Shaft, 1000 RPM	830241
	Complete PTO Shaft w/ CV joint, 1000 RPM	830245
	Complete PTO Shaft, 540 RPM	830170
	Complete PTO Shaft w/ CV joint, 540 RPM	830244
	Complete PTO Shield Kit without CV joint	830628
	Complete PTO Shield Kit with CV joint	830612
2	PTO Pump, 1000 RPM	830164
	Seal Kit for 1000 RPM Pump	830347
	PTO Pump, 540 RPM	830236
	Seal Kit for 540 RPM Pump	830346
3	Elbow Fitting, 12MJ x 12MB	290022
4	72" Hose Assembly	890366
5	PTO Stand	830114
6	1/2 x 6-1/2 Hitch Pin	830243
7	Jack Handle Extension	100668
8	Jack Handle	100448
9	Drop Leg Jack	100427

Ref#	Description	Part#
10	Hex Nut, 5/8	000970
11	36" Supply Hose	890367
12	Hose Clamp	290042
13	Elbow Fitting, 24HB x 24MB	290027
14	Hex Bolt, 5/8 x 2-1/2	000620
15	Bolt-on Hitch	830056
16	Pump Shaft Key	830344
17	Switchbox	830242
18	3/8"-16 x 3/4" Cup Point Square Drive Set Screw	000244
19	3/8"-16 x 6-1/2" Hex Head Bolt, Gr.5 Zinc	000339
20	3/8-16 Nylon Lock Nut, Zinc	003000
21	5/8" SAE Washer	001076
22	Hose Support	502288
23	Hose Support Washer	502308
24	5/16" x 1-1/2" Bolt	000225
25	5/16"-18 Nylon Lock Nut, Zinc	002999
26	.148 Wire X 2" Zinc Plated Hairpin Cotter	100216

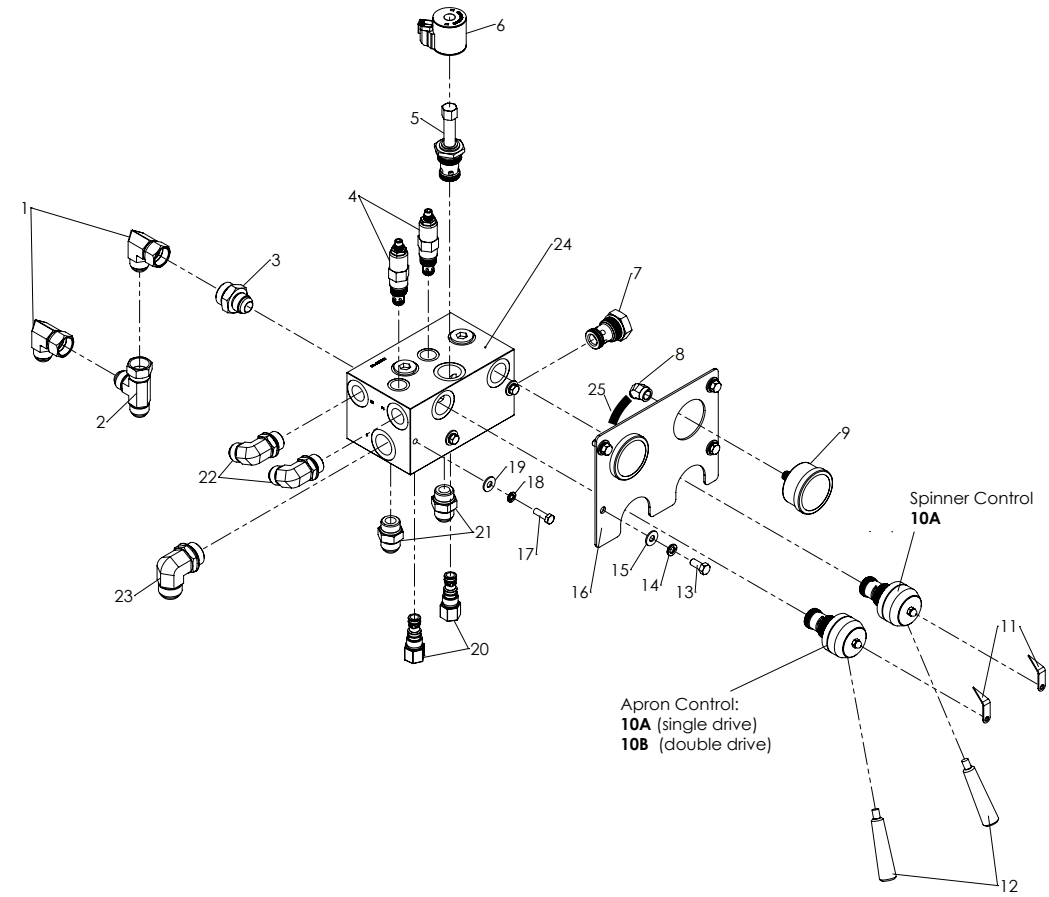
Hydraulics



Ref#	Description	Part#	Qty.
1	4" Tank Filler Breather Cap	290142	1
3	Hydraulic Tank	830523	1
4	Push-Lock Fitting 1/4NPT	290036	1
5	Filter Head	830117	1
6	Elbow Fitting, 16MJ x 16MP	290023	1
7	10 Micron oil Filter	830116	1
8	72" Hose Assembly	890366	2
9	27" Hose Assembly	830336	3
10	Elbow Fitting, 12MJ x 12FJX	290150	1
11	T-Fitting, 12MJ x 12FJX x 12MJ	290034	1
12	Straight Fitting 12MJ x 16MB	290198	1
13	Elbow Fitting, 12MJ x 12MB	290022	2
14	Manifold Assembly	830150	1
15	Elbow Fitting, 16MJ x 16MB	290020	1
16	Straight Fitting 12MJ x 12MB	290065	2
17	29" Hose Assembly	830337	1
18	Straight Fitting, 12MJ x 12FP	290019	4

Ref#	Description	Part#	Qty.
19	40" Hose Assembly	830339	1
20	36" Supply Hose	890367	1
21	Straight Fitting, 24HB x 24MP	830366	1
22	Ball Valve	290026	1
23	Elbow Fitting, 8MP x 8FP	290016	1
24	Pipe Plug	290025	1
25	Door, Hydraulic Reservoir	290044	1
26	Hydraulic Sight Guage	290054	1
28	3/8-16 X 1-1/4 Hex Head Bolt, Gr.5	000275	2
29	3/8 USS Flat Washer, Zinc	001035	5
30	3/8 Lock Washer, Zinc	000820	5
31	3/8-16 Hex Nut, Gr.5 Zinc	000915	5
32	3/8-16 X 1 Carriage Bolt, Gr.5 Zinc	000125	3

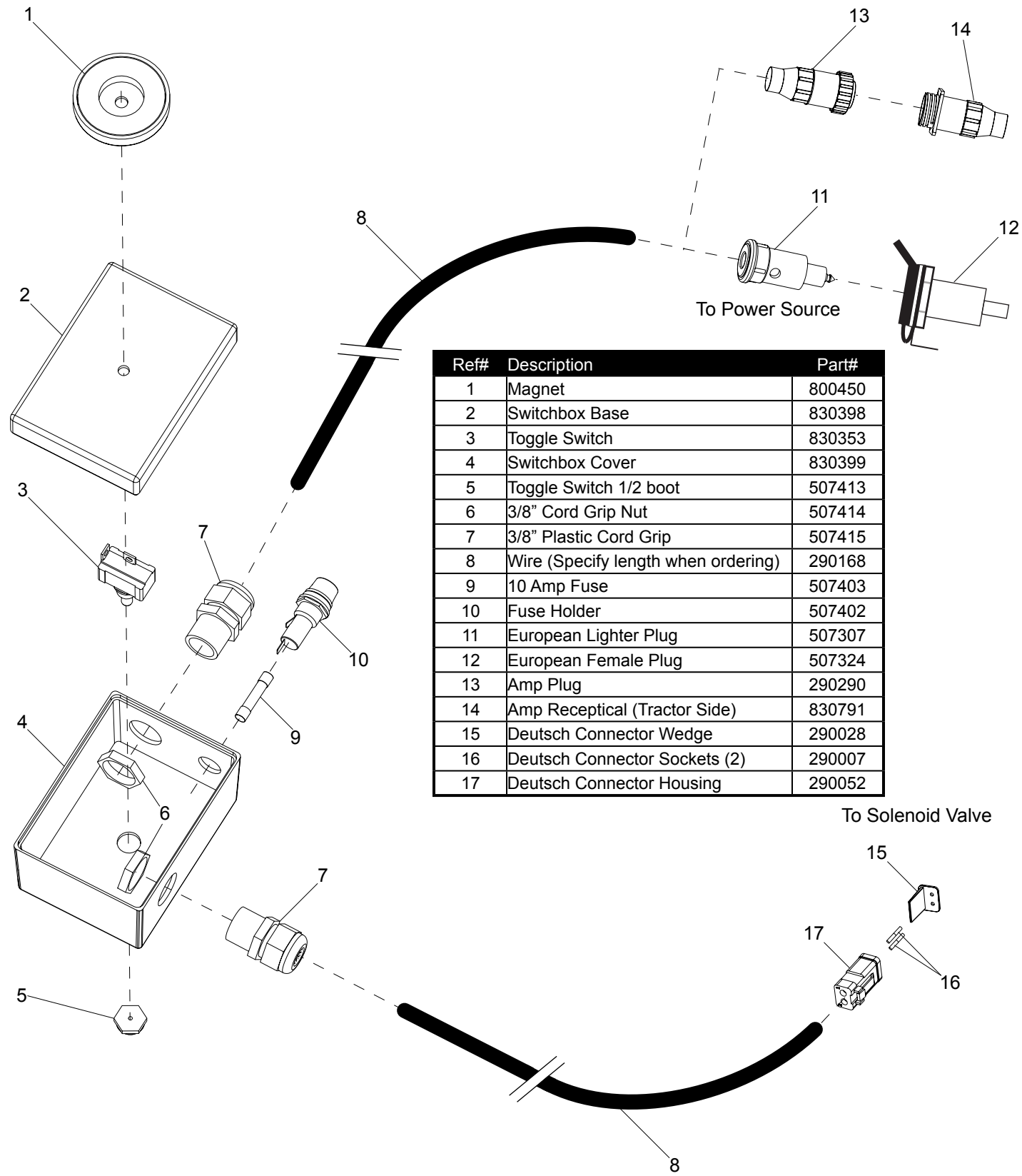
Hydraulic Manifold



Ref#	Description	Part#	Qty.
1	Elbow Fitting, 12MJ x 12FJX	290150	1
2	T-Fitting, 12MJ x 12FJX x 12MJ	290034	1
3	Straight Fitting, 12MJ x 16MB	290198	1
4	Relief Valve	830322	2
5	Solenoid Valve	830320	1
6	Coil, Solenoid Valve	830325	1
7	Check Valve	830321	1
8	2505-4-4	290295	2
9	SPG 3000 PSI Pressure Gauge	290293	2
10	Valve w/ Handle	830324	2
11	Valve Indicator	830136	2
12	Valve Handle	830162	2
13	3/8-16 X 7/8 Hex Head Bolt Gr.5, Zinc	000250	4

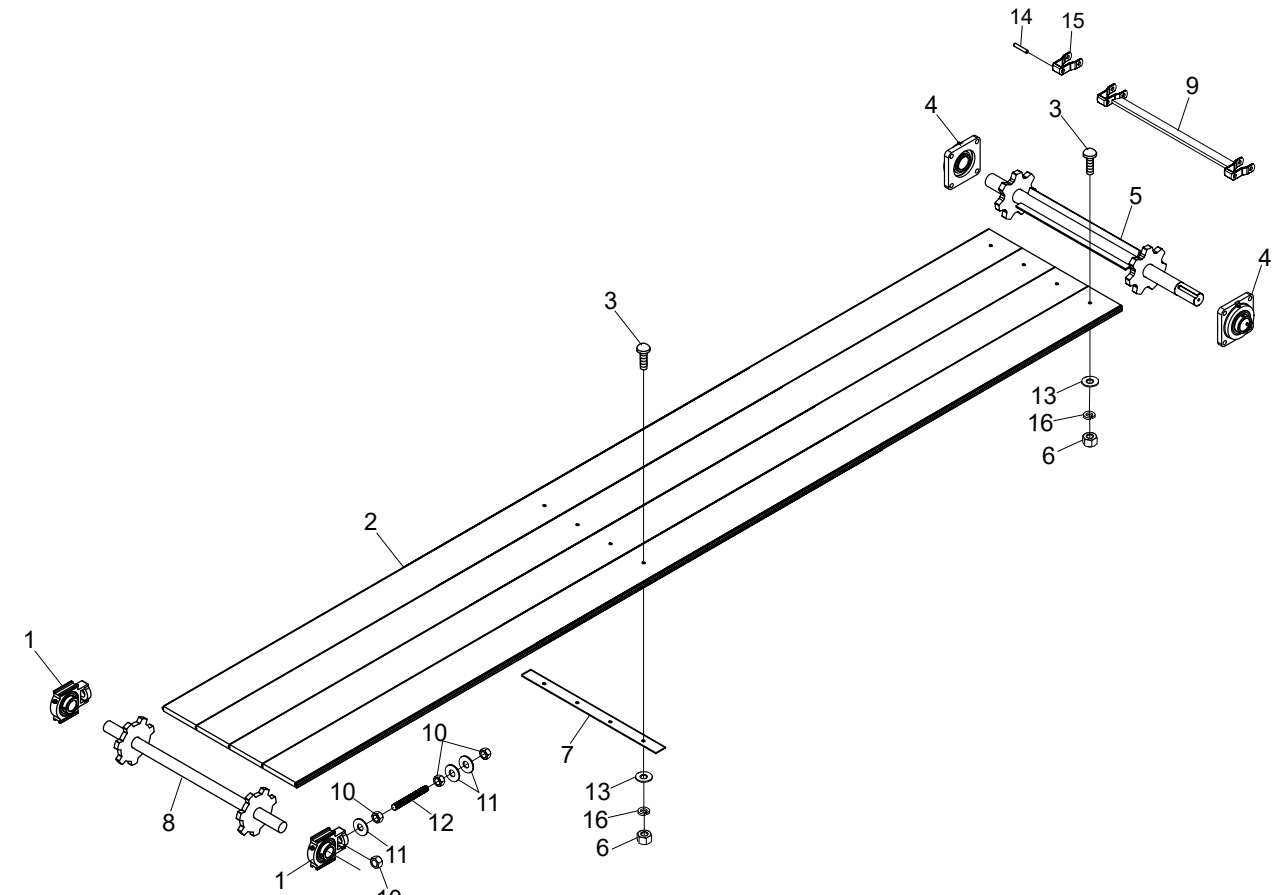
Ref#	Description	Part#	Qty.
14	3/8 Lock Washer, Zinc	000820	4
15	5/16" USS Flat Washer, Zinc	001030	7
16	SP/SL Manifold Access Cover	830809	1
17	5/16-18 X 1 H.H. Bolt Gr. 5 Zinc	000221	3
18	5/16 Lock Washer, Zinc	000810	3
19	5/16" USS Flat Washer, Zinc	001030	3
20	Directional Valve	806140	2
21	Straight Fitting, 12MJ x 12MB	290065	2
22	Elbow Fitting, 12MJ x 12MB	290022	2
23a	Elbow Fitting, 16MJ x 16MB	290020	1
23b	Double Web Drive Elbox Fitting, 20MJ x 16MB	830359	1
24	Poultry Spreader Manifold	830149	1
25	20" Hose Assembly	290296	2

Switch Box



Ref#	Description	Part#
1	Magnet	800450
2	Switchbox Base	830398
3	Toggle Switch	830353
4	Switchbox Cover	830399
5	Toggle Switch 1/2 boot	507413
6	3/8" Cord Grip Nut	507414
7	3/8" Plastic Cord Grip	507415
8	Wire (Specify length when ordering)	290168
9	10 Amp Fuse	507403
10	Fuse Holder	507402
11	European Lighter Plug	507307
12	European Female Plug	507324
13	Amp Plug	290290
14	Amp Receptical (Tractor Side)	830791
15	Deutsch Connector Wedge	290028
16	Deutsch Connector Sockets (2)	290007
17	Deutsch Connector Housing	290052

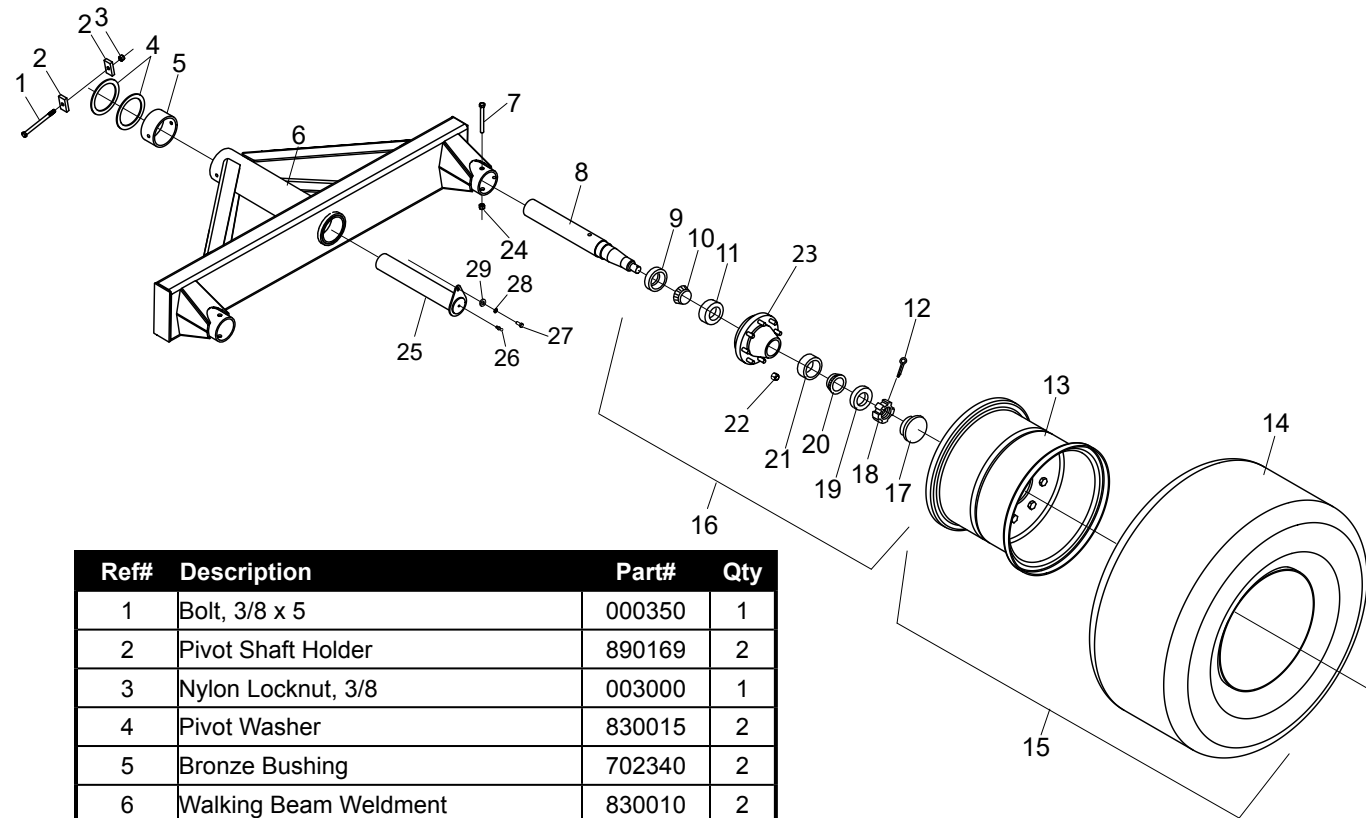
Floor & Apron



Ref#	Description	Part#	Qty
1	Sliding Bearing	801099	2
2	Poly Floor Board	800541	6
3	Carriage Bolt, 5/16 x 1-1/2	000126	8
4	4-Bolt Flange Bearing	801100	2
5	Apron Shaft, Rear	830631	1
6	Hex Nut, 5/16	000910	8
7	Floor Hold Down Strip	830557	2
8	Apron Shaft, Front	830675	1
9a	10' Section of Web Slats	830555-H-WD	3

Ref#	Description	Part#	Qty
9b	1 Slat Assembly	890375	N/A
10	3/4"-10 Hex Nut	000975	6
11	3/4" SAE Flat Washer	001086	6
12	3/4"-10 All Thread x 8-7/8"	801175	2
13	5/16" Flat Washer	001030	8
14	Connector Pin	830328	6
15	Connector Link w/ Pin	830326	6
16	5/16" Lock Washer	000810	8

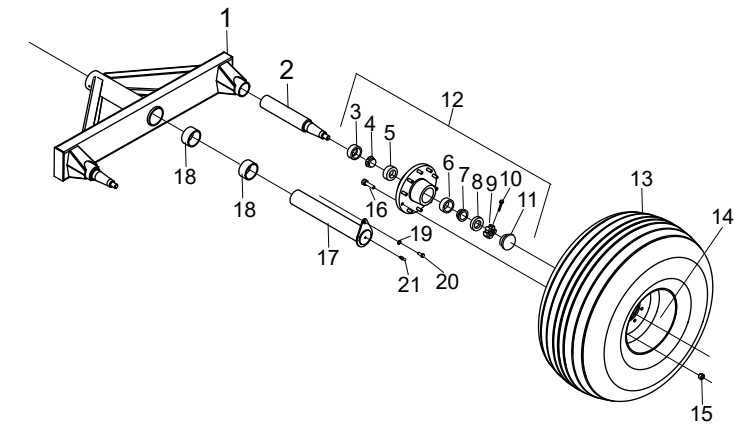
Axle Assembly



Ref#	Description	Part#	Qty
1	Bolt, 3/8 x 5	000350	1
2	Pivot Shaft Holder	890169	2
3	Nylon Locknut, 3/8	003000	1
4	Pivot Washer	830015	2
5	Bronze Bushing	702340	2
6	Walking Beam Weldment	830010	2
7	Bolt, 1/2 x 4	000490	2
8	Spindle	830044	2
9	Grease Seal	300431	2
10	Bearing, 387AS	300430	2
11	Race, 382A	101428	2
12	Cotter Pin, 5/32 x 1-3/4	001231	2
13	Wheel, 16.1 x 16	830047	2
14	Tire 21.5L x 16.1 x 10-Ply	830258	2
15	Tire & Wheel Assembly	830053	2
16	Hub (Complete w/ Bearings)	830045	2
17	Hub Cap	300249	2
18	Spindle Nut	300275	2
19	Spindle Washer	300047	2
20	Bearing, LM501349	300248	2
21	Race, LM501310	300247	2
22	Lugnut	300278	8
23	G75 Hub	830045	1
24	1/2"-13 Nylon Locknut, Zinc	000950	2
25	Pivot Pin	840042	2
26	Grease Fitting, 1/8-NPT Zert	400118	2
27	1/2-13 X 1-1/2 Hex Head Bolt, Gr.5 Zinc	000435	2
28	1/2" Lock Washer, Zinc	000840	2
29	1/2" USS Flat Washer	001055	2

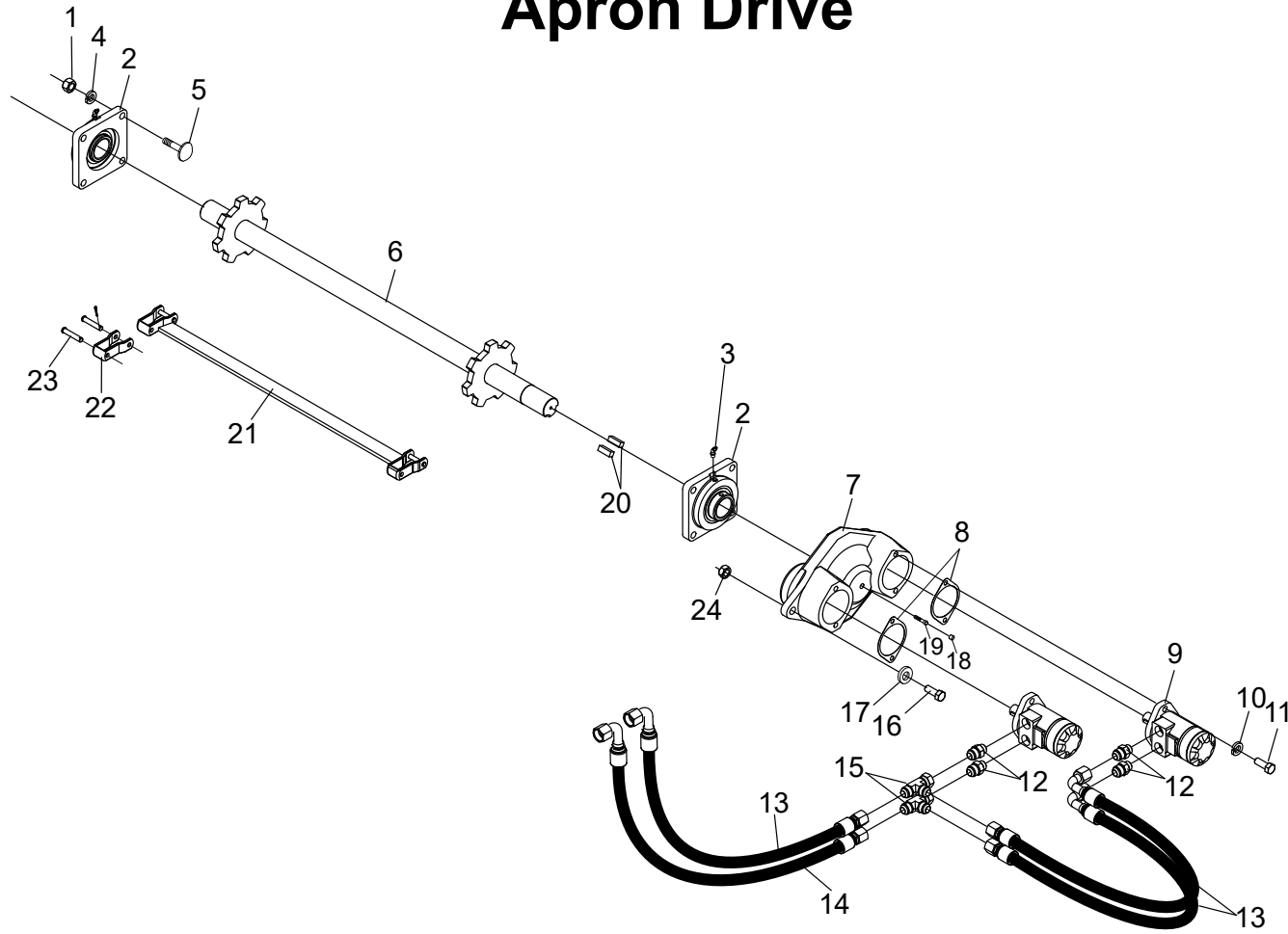
Heavy Duty Axle Assembly

Part # 840060



Ref#	Description	Part#	Qty
1	Walking Beam Weldment	830176	1
2	Spindle	830178	2
3	Grease Seal	830377	2
4	Bearing, 460	830376	2
5	Race, 453A	830381	2
6	Race, 33462	830380	2
7	Bearing, 33275	830375	2
8	Spindle Washer	830379	2
9	Spindle Nut	830378	2
10	Cotter Pin, 1/4 x 2	001230	2
11	Dust Cap (bolt on)	830383	2
	Dust Cap Gasket	830384	2
	Dust Cap Bolt	830385	8
12	Complete Hub	830179	2
13	Tire, 500/50-17 16ply	830255	
	Tire, 445/50R22.5 Super Single	830369	
	Tire, 550/45-22.5 16ply	830604	
14	Wheel, 17 x 16 - 10-Bolt	830256	
	Wheel, 22.5 x 13.5 10-Bolt	830368	
	Wheel, 22.5 x 16 - 10-Bolt	830605	
15	Lug Nut	830382	20
16	Lug Bolt, 3/4-16 x 3	830373	20
17	Pivot Pin	830042	1
18	Bronze Bushing, Grooved, 4" Long	800619	2
19	1/2" Lock Washer, Zinc	000840	2
20	1/2-13 X 1-1/2 Hex Head Bolt, Gr.5 Zinc	000435	2
21	Grease Fitting, 1/8-NPT Zert	400118	2

Apron Drive

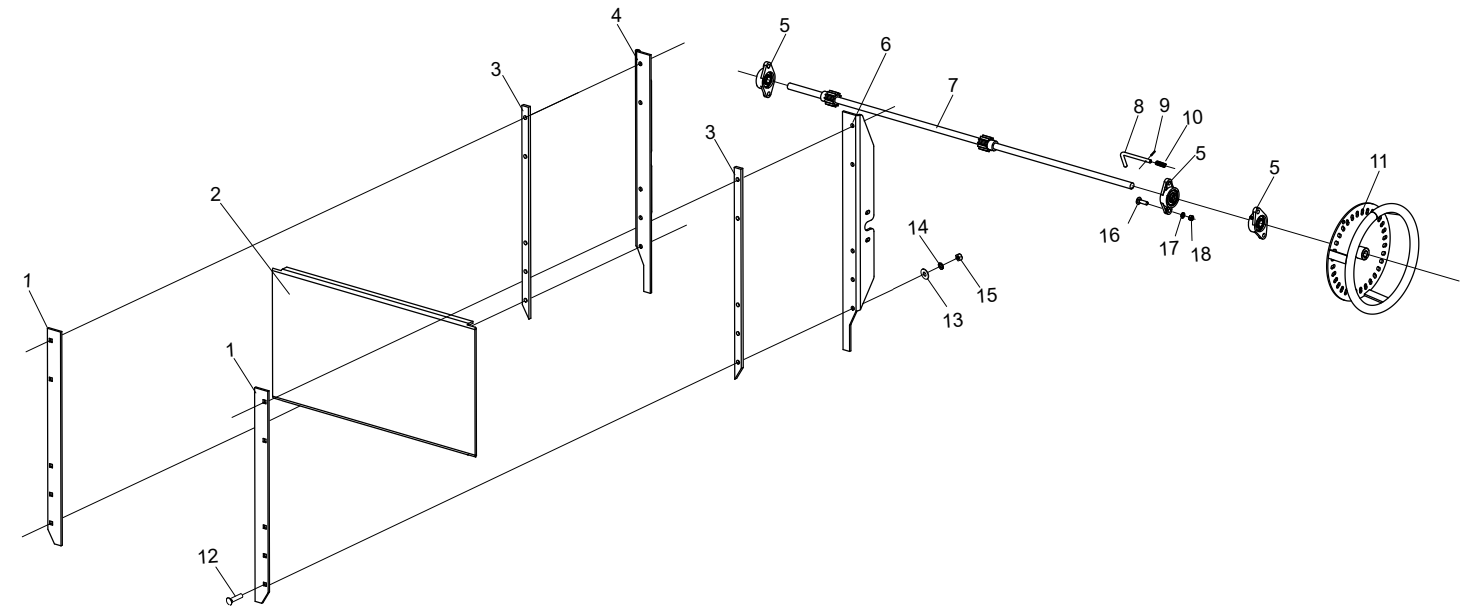


*Note: Double Drive Gearbox (ID 7) was changed at serial number 95419. Old gearbox (801098) is no longer available and will be substituted with new gearbox (801418). Limited Parts are available for old gearbox.

Ref#	Description	Part#	Qty
1	Hex Nut, 5/8	000970	8
2	4-Bolt Flange Bearing	801100	2
3	Grease Fitting, 1/4-28 45°Zert	701171	2
4	Split Lock Washer, 5/8	000860	8
5	Carriage Bolt, 5/8 x 2	000617	8
6	Rear Web Shaft	830631	1
7	Double Drive Gearbox	801418	1
	Shaft Seal for Gearbox	800136	
8	Gasket	830251	2
9	Drive Motor	830171	2
	Seal Kit for Drive Motor	800135	
10	Split Lock Washer, 1/2	000840	4
11	Hex Bolt, 1/2 x 1-1/2	000435	4

Ref#	Description	Part#	Qty
12	Straight Fitting, 12MJ x 10MB	290001	4
13	23" Hose Assembly	830333	3
14	25" Hose Assembly	830335	1
15	T-Fitting, 12MJ x 12FJX x 12MJ	290034	2
16	Hex Bolt, 5/8 x 2	000615	1
17	USS Flat Washer, 5/8	001075	1
18	Plug, 1/2" NPT	290025	1
19	Socket Head Bolt, 5/16 x 1-1/4	000231	1
20	Key, 1/2 x 1/2 x 1-1/2	830329	1
21	Slat Assembly (1 Slat and Links)	890375	
22	Connector Link w/ Pin	830326	
23	Connector Pin	830328	
24	5/8-11 Nylon Lock Nut, Gr. 5 Zinc	000972	1

Rear Gate

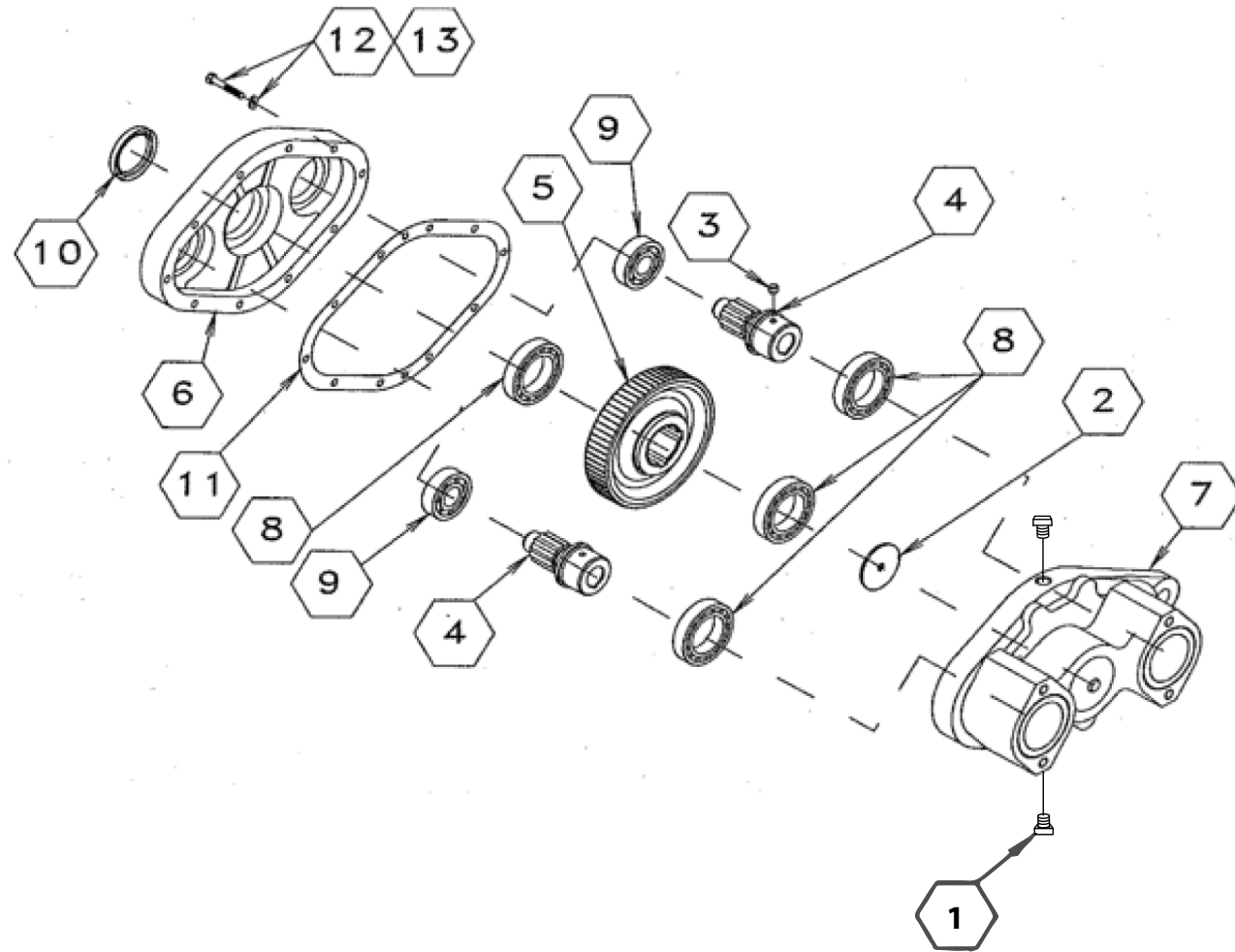


Ref#	Description	Part#	Qty.
1	Inner Track	830520	2
2	Endgate Weldment	830550	1
3	Track Spacer	830519	2
4	Outer Track, Right	830518	1
5	Flange Bearing	806108	3
6	Outer Track, Left	830573	1
7	Endgate Shaft	830548	1
8	Latch Pin	806052	1
9	Roll Pin, 1/8 x 3/4	000561	1
10	Latch Spring	806166	1

Ref#	Description	Part#	Qty.
11	Endgate Wheel	830543	1
12	7/16-14 X 1-3/4 Carriage Bolt Gr. 5 Zinc	000363	10
13	7/16 USS Flat Washer Zinc	001045	10
14	7/16 Split Lock Washer Zinc	000830	10
15	7/16-14 Hex Nut, Gr.5 Zinc	000935	10
16	3/8-16 X 1-1/4 Carriage Bolt, Zinc Gr. 5	000150	6
17	3/8 Lock Washer, Zinc	000820	6
18	3/8-16 Hex Nut, Gr.5 Zinc	000915	6

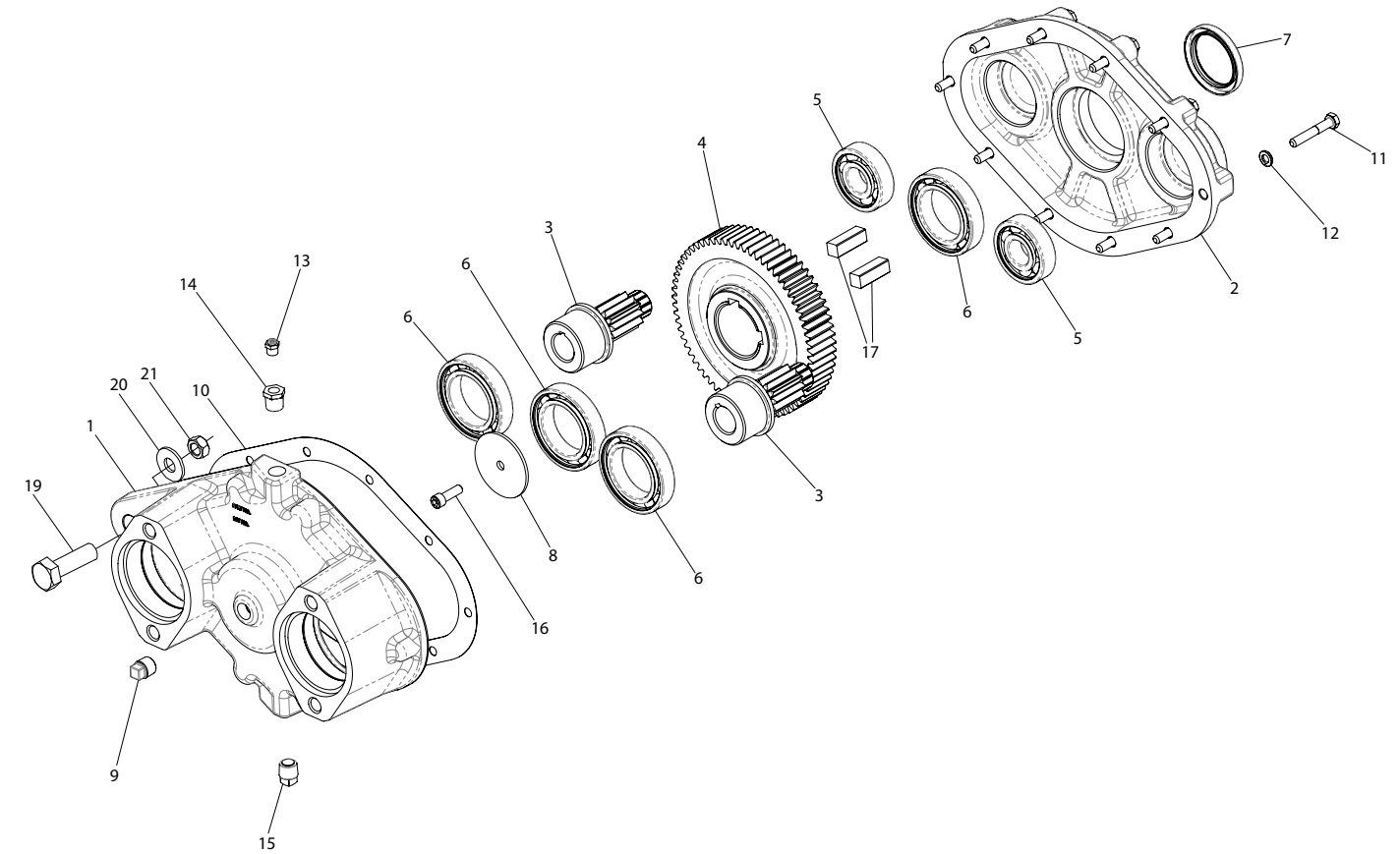
Gearbox Components S/N -95419

*Limited Parts Available. Can substitute complete gearbox with Part # 801418



Ref#	Description	Part#
1	Plugs and Keys	830700
2	Washer	830701
3	Plug-Delrin	830702
4	Gear-Pinion	830703
5	Gear-Driven	830704
6	Housing-Inboard	830705
7	Housing-Outboard	830706
8	Bearing	830707
9	Bearing	830708
10	Oil Seal	800136
11	Gasket	830709
12	Lock Washer	000810
13	Capscrew	000122

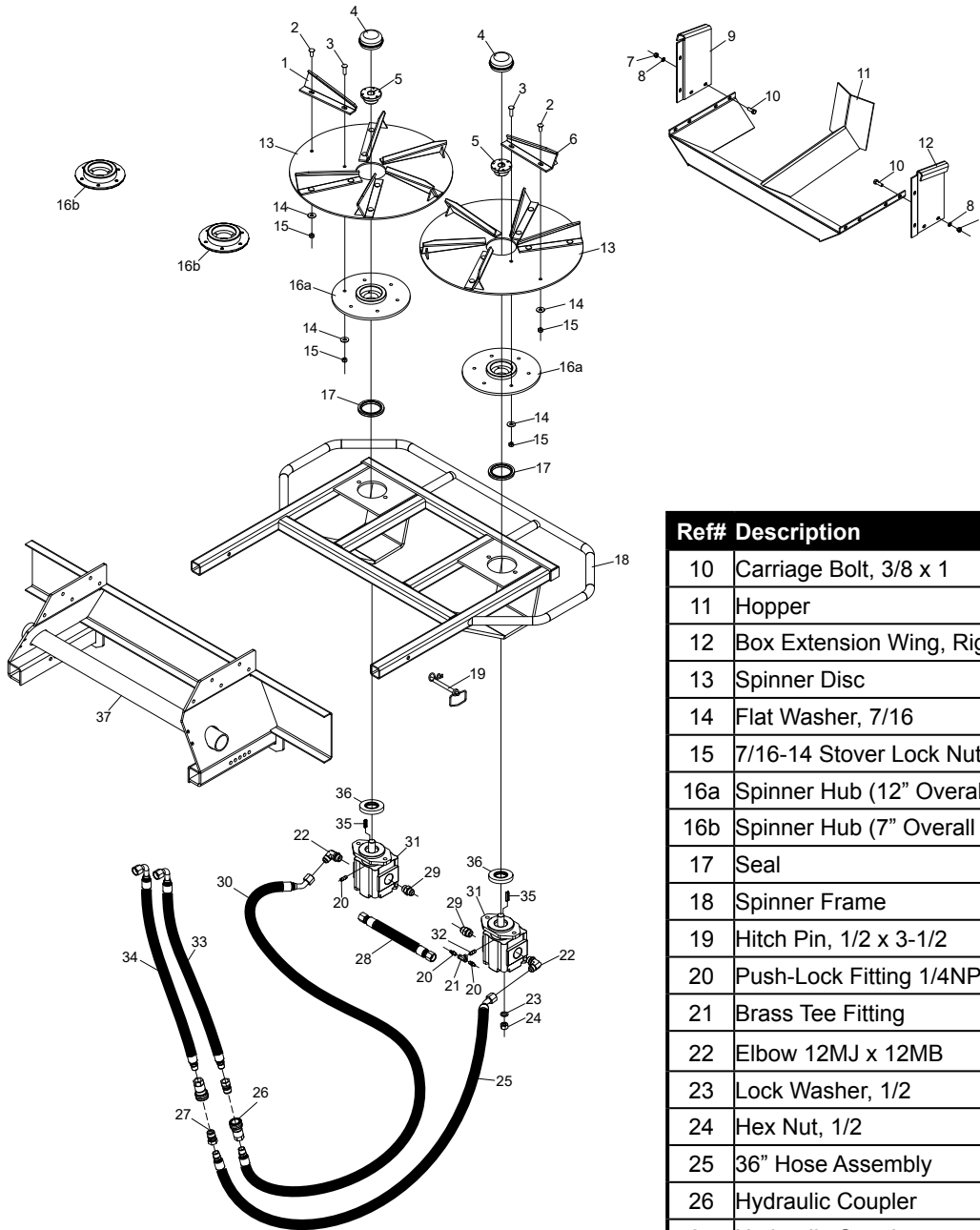
Gearbox Components S/N 95419+



Ref#	Description	Part#
1	Outer Housing	801435
2	Inner Housing	801436
3	11 Tooth Spur Gear	801422
4	67 Tooth Spur Gear	801423
5	6305 C3 Ball Bearing	801424
6	6010 C3 Ball Bearing	801425
7	1.969-2.627-.312	801437
8	2.50 x .34 x .120 Washer	801427
9	3/8" NPT Square Head Plug w/ 3M	801428
10	IP39 Gasket	801438

Ref#	Description	Part#
11	5/16" x 2" Hex Head Bolt, Gr. 8	000122
12	5/16" Lock Washer	000810
13	1/8" NPT Vent Plug, 5 PSI	801430
14	3/8" NPT x 1/8" NPT Bushing	801431
15	3/8" NPT MAG Square Head Plug	801432
16	5/16" x 1" Gr. 8 Bolt	401434
17	1/2" x 1/2" x 1-1/2" Key	801439
18	Complete Gearbox	801418
19	5/8"-11 x 2-1/4" Hex Head Bolt, Gr.5 Zinc	000626
20	5/8 USS Flat Washer, Zinc	001075
21	5/8-11 Nylon Lock Nut, Gr.5 Zinc	000972

Spinner Assembly



Ref#	Description	Part#	Qty
1	Spinner Paddle, Right	830265	6
2	Carriage Bolt, 7/16 x 1	000356	12
3	Carriage Bolt, 7/16 x 1-1/2	000359	12
4	Cap	830314	2
5	Tapered Bushing, 1" Round	505420	2
6	Spinner Paddle, Left	830267	6
7	Hex Nut, 3/8	000915	4
8	Lock Washer, 3/8	000820	4
9	Box Extension Wing, Left	830144	1

Ref#	Description	Part#	Qty
10	Carriage Bolt, 3/8 x 1	000125	4
11	Hopper	830530	1
12	Box Extension Wing, Right	830079	1
13	Spinner Disc	830309	2
14	Flat Washer, 7/16	001045	24
15	7/16-14 Stover Lock Nut, Zinc	000387	24
16a	Spinner Hub (12" Overall Diameter)	830313	2
16b	Spinner Hub (7" Overall Diameter)	830629	2
17	Seal	830317	2
18	Spinner Frame	830583	1
19	Hitch Pin, 1/2 x 3-1/2	100292	2
20	Push-Lock Fitting 1/4NPT	290036	3
21	Brass Tee Fitting	290033	1
22	Elbow 12MJ x 12MB	290022	2
23	Lock Washer, 1/2	000840	4
24	Hex Nut, 1/2	000940	4
25	36" Hose Assembly	830331	1
26	Hydraulic Coupler	290041	2
27	Hydraulic Coupler	290040	2
28	21.5" Hose Assembly	830330	1
29	Straight Fitting 12MJ x 12MB	290065	2
30	60" Hose Assembly	830332	1
31	Hydraulic Motor, 1" Keyed Shaft	830318	2
	Seal Kit for Motor	830345	
32	Brass Nipple	290039	1
33	20" Hose Assembly	830341	1
34	25" Hose Assembly	830342	1
35	1/4" x 3/8" x 1-1/4" Key	830390	2
36	Outer Seal	830389	2
37	Spinner Socket Weldment	830603	1