

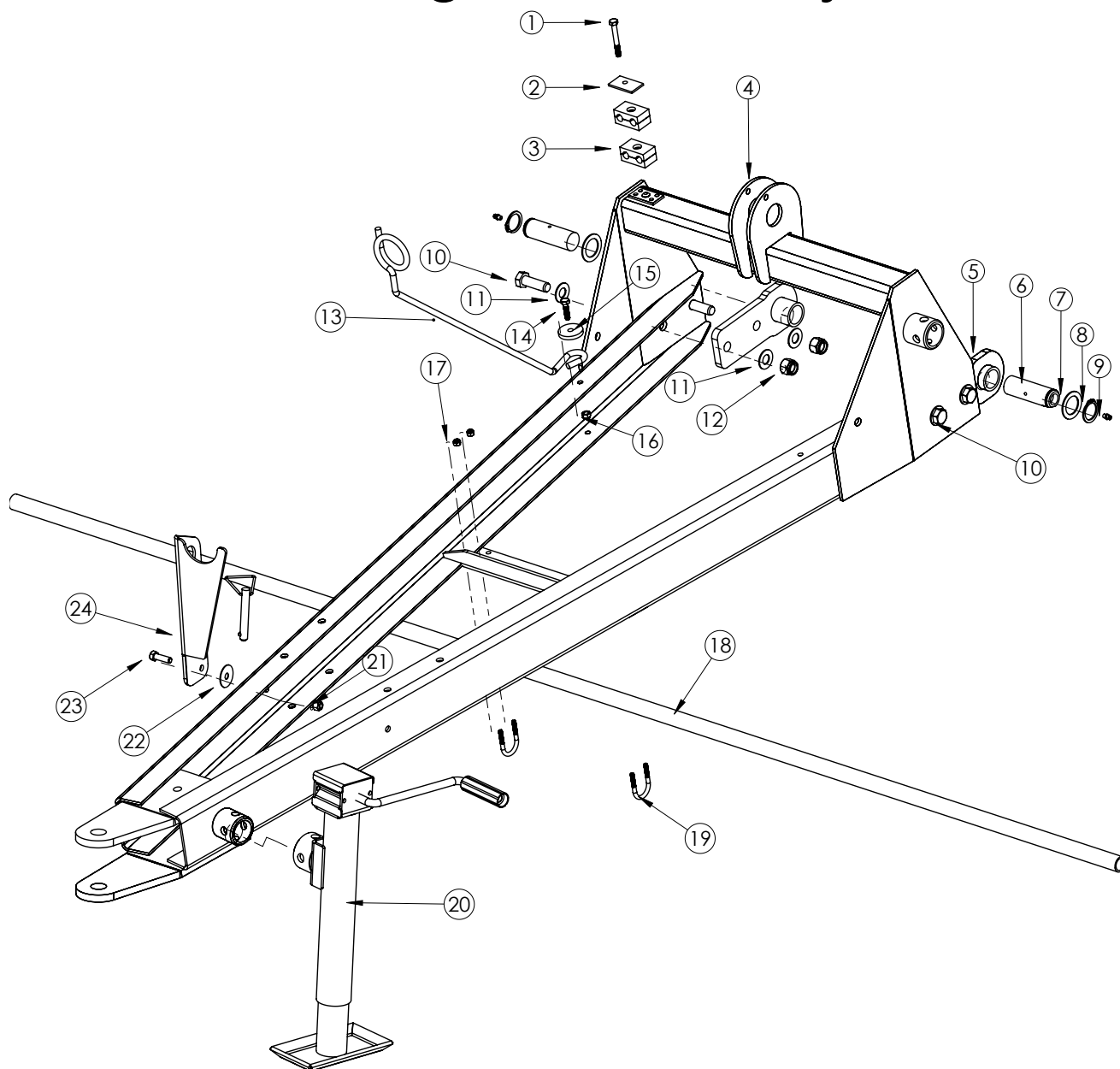


HT66X Rotary Tedder

Illustrated Parts Breakdown

Page 1	Tongue Assembly
Page 2	Center Section
Page 3	Center Section Cont.
Page 4	Left Center Wing
Page 5	Left Center Wing Cont.
Page 6	Right Center Wing
Page 7	Right Center Wing Cont.
Page 8	Outer Right Wing Assembly
Page 9	Outer Left Wing Assembly
Page 10	Hydraulics
Page 11	Tine Rotor and Hardware
Page 12	PTO Shaft
Page 13	Decals
Page 14	Wheel and Hub Orientation

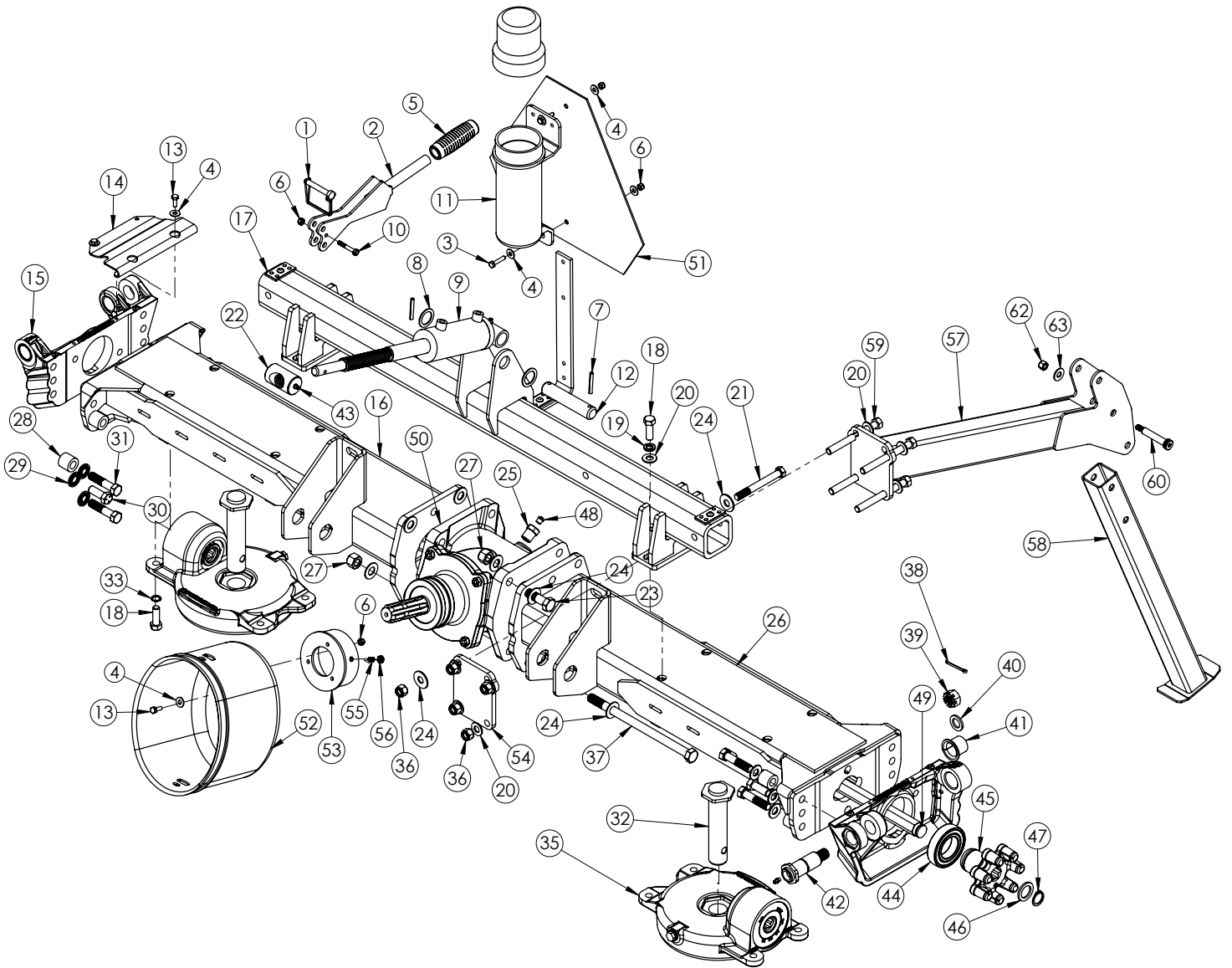
Tongue Assembly



Ref#	Description	Part#
1	5/16 X 2 1/2 HH Bolt	000118
2	Hose Clamp Plate	510630
3	Hose Clamp	510632
4	Tongue Weldment	704068
5	Hitch Bolting Weld Assembly	703484
6	Hitch D-Pin	702829
7	1 1/4 Machinery Bushing	500185
8	1 1/4 Ext. Retaining Ring	702826
9	1/4-28 Grease Fitting	400117
10	5/8 x 2 HH Bolt	000615
11	5/8 SAE Washer	001076
12	5/8 Nylock Lock Nut	000972

Ref#	Description	Part#
13	Hose Support	502288
14	5/16 x 1 1/4 HH Bolt	000230
15	Hose Support Hold Down Washer	502308
16	5/16 Nylock Lock Nut	002999
17	1/4 Nylock Lock Nut	003001
18	Center Pipe Guard	703999
19	1/4 x 3/4 U-Bolt	705048
20	2K Side Wind Jack	903317
21	3/8 Nylock Lock Nut	003000
22	3/8 Fender Washer	001105
23	3/8 X 1 1/4 HH Bolt	000275
24	PTO Stand	500015

Center Section

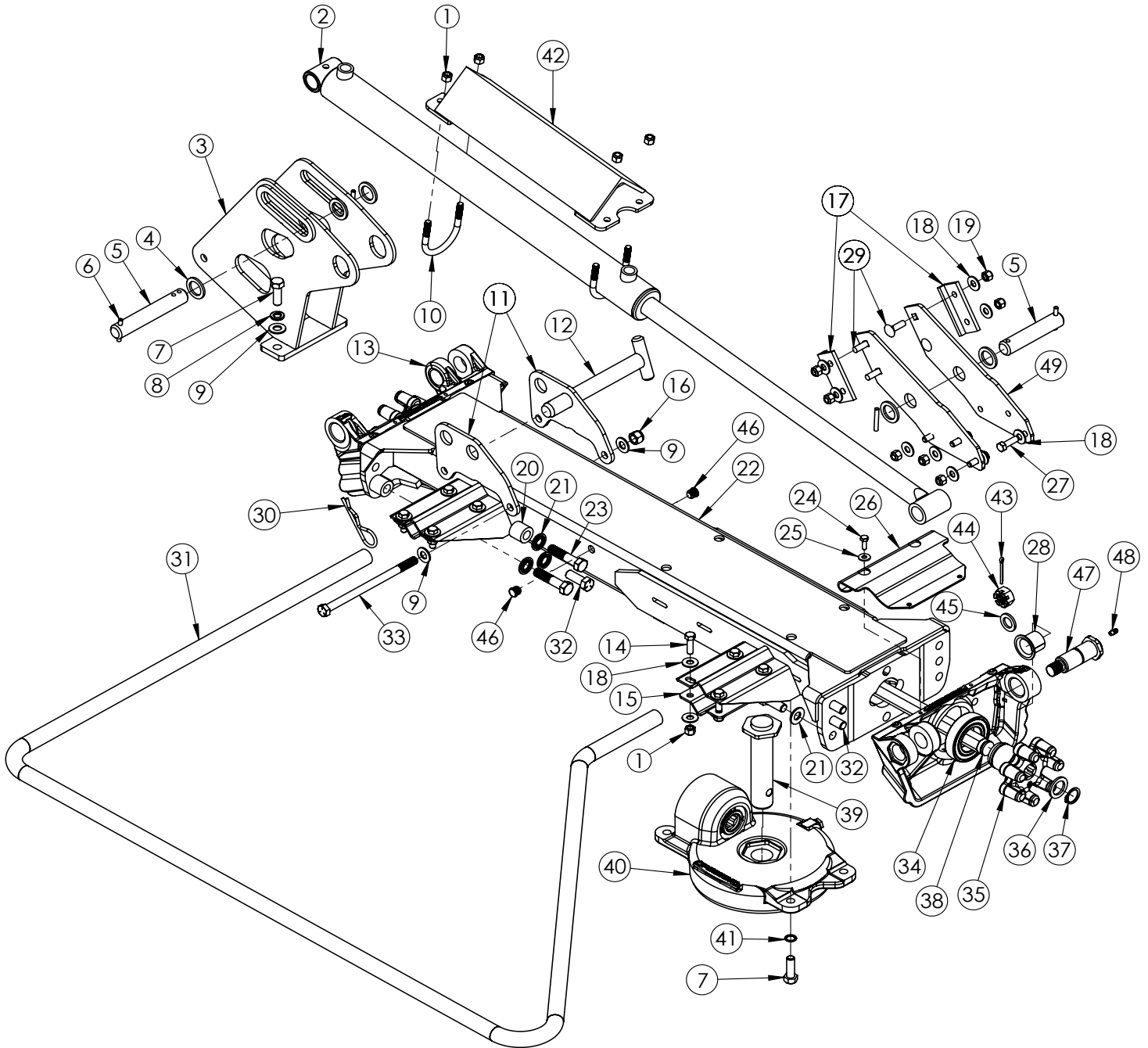


Center Section - Continued

Ref#	Description	Part#
1	Snapper Pin	500158
2	Tilt Handle	706071
3	1/4-20 x 1.25 HH Bolt	100184
4	1/4 USS Flat Washer	001020
5	Handle Grip	900116
6	1/4-20 Nylon Lock Nut	003001
7	1/4 x 1 3/4 Roll Pin	500187
8	1" Machinery Bushing 14ga.	001008
9	Tongue Hydraulic Cylinder	703604
10	1/4-20 x 1 3/4" HH Bolt Gr. 5	000187
11	Ops. Manual Cylinder	503050
12	1" Wing Base Pin x 5" Long	705082
13	1/4-20 x 3/4 HH Bolt Gr. 5	000175
14	Finger Drive Cover Guard	705026
15	Finger Drive Casting	703547
16	Inner Right Arm Weldment	706001
17	Center Support Weldment	706019
18	1/2 x 1 1/2" HH Bolt	000435
19	1/2" Split Lock Washer	000840
20	1/2" SAE Washer	001061
21	1/2 x 4 1/2 HH Bolt	000500
22	Tongue Cylinder Mount	502218
23	5/8 x 2 1/2" HH Bolt	000620
24	1/2" USS Washer	001055
25	Oil Plug	705088
26	Inner Left Arm Weldment	706002
27	5/8" Stover Locknut	900145
28	9/16" Spacer	704150
29	9/16" Serrated Conical Washer	705000
30	9/16 x 1 1/2" HH Bolt	000577
31	9/16 x 2 1/2" HH Bolt	000602
32	Rotor Spindle Weldment	703761
33	1/2" Serrated Safety Washer	702821
35	6 Hole Rotor Gearbox	704020
36	1/2" Nylon Locknut	000950

37	5/8 -11 x 10.5" HH Bolt Zinc	000691
38	5/32 x 1 1/2" Cotter Pin	001215
39	3/4-16 Castle Nut	705070
40	3/4 x 1 1/4 Machinery Bushing	400146Z
41	CUSN8 Diamond Indent Bushing	703780
42	Pivot Pin 1.125	705013
43	1/4-28 Special Taper Fitting	400117
44	Spherical Bearing	705028
45	7 Finger Drive	703546
46a	1 x 1 1/2" Mach. Bush. 10	001006
46b	1 x 1 1/2" Mach. Bush. 14G	001008
47	1" Heavy Duty Ext. Retaining Ring	702883
48	Alemite G.B. Relief Vent	705089
49	Center Hex Shaft 66X	706030
50	ADI 17x20 Center Gearbox	703621
51	SMV Triangle	507166
52	Implement Shield	701205
53	Shield Mounting Bracket Weldment	703145
54	Drop Leg Bolt Plate	703949
55	5/16-24 x 1/2 Set Screw	001121
56	5/16-24 Hex Jam Nut Zinc	001116
57	Bolted Tipping Leg For Tedders	703946
58	Bottom Swivel Kickstand	703947
59	1/2-13 x 5 Hex Head Bolt	000510
60	1/2" Shoulder x 2-1/2" Shoulder Bolt	703772

Left Center Wing

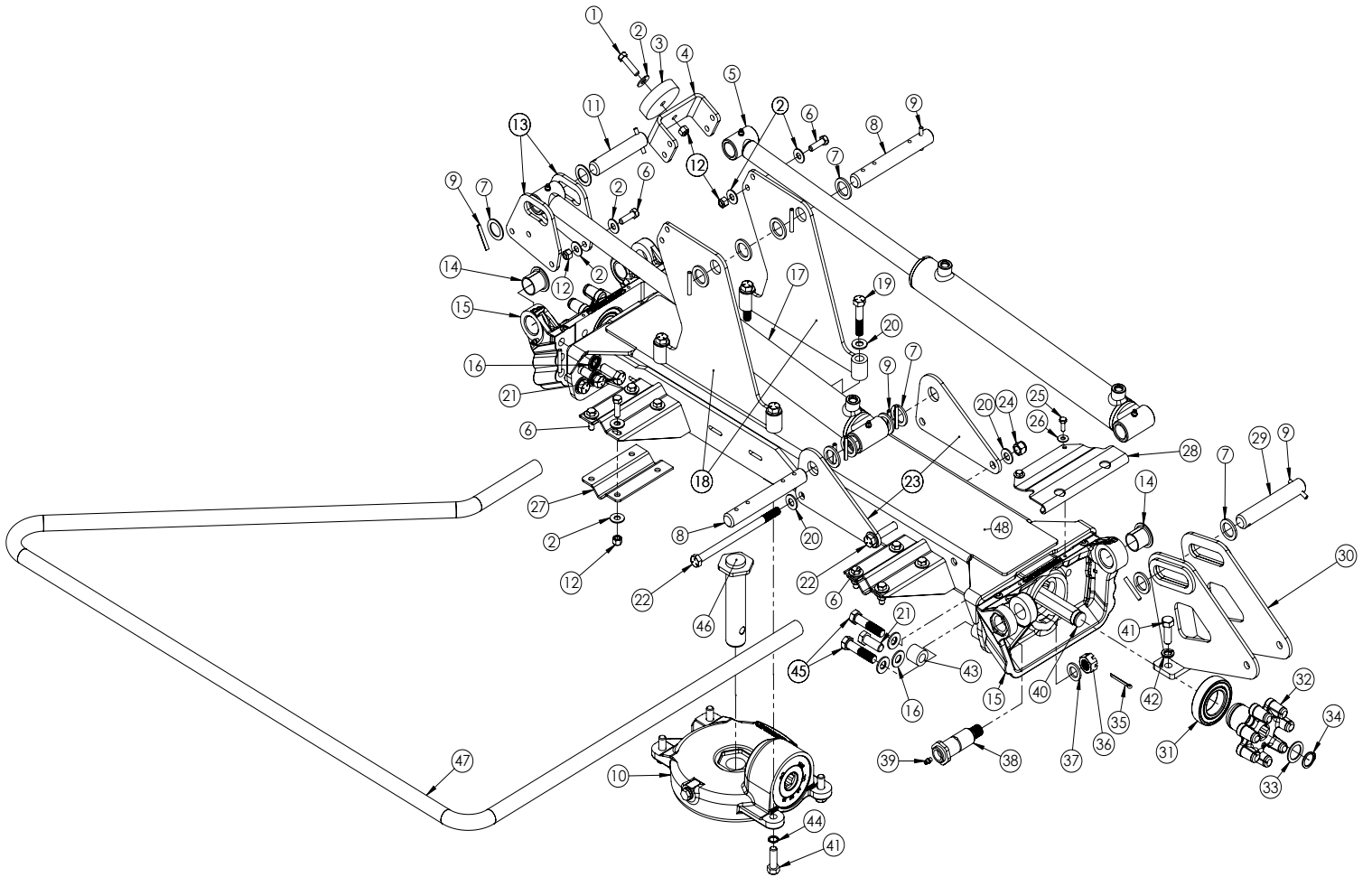


Left Center Wing - Continued

Ref#	Description	Part#
1	3/8 Nylock Nut	003000
2	2" x 24" Wing Cylinder	703458
3	Left Cylinder Bracket Weldment	706025
4	1 x 1 1/2" Machinery Bushing 10 Ga	001006
5	Cylinder Pin	701016
6	1/4 x 1 3/4 Roll Pin	500187
7	1/2 x 1 1/2" HH Bolt	000435
8	1/2" Lock Washer	000840
9	1/2" SAE Washer	001061
10	3/8-16 x 2" Pipe Size U-Bolt	703423
11	Bolt On Cylinder Plate	706023
12	Wing Safety Pin	706044
13	Pivot Casting	703547
14	3/8 x 1 1/4" HH Bolt	000275
15	Guard Cradle	702696
16	1/2" Nylock Nut	000950
17	Bumper Angle	705103
18	3/8" USS Flat Washer	001035
19	3/8" Nylock Nut	003000
20	Bolt Ext. Tube	704150
21	9/16" Serrated Conical Plated Washer	705000
22	Left Wing Middle Weldment	706006
23	9/16 x 2 1/2" HH Bolt	000602
24	1/4-20 x 3/4" HH Bolt	000175
25	1/4" USS Flat Washer	001020
26	Casting Finger Cover	705026
27	3/8-16 x 1 1/4" HH Bolt	000275
28	CUSN8 Diamond Indent Bearing	703780
29	3/8-16 x 1 1/4" Carriage Bolt	000150
30	.178 Wire x 3 Hairpin Cotter	507340
31	6100 / 8100 Middle Wing Guard	703263
32	9/16-12 x 1 1/2" HH Bolt	000577
33	1/2 x 8" HH Bolt	000553

34	Spherical Bearing Finger Drive	705028
35	7 Finger Drive	703546
36a	1" x 1-1/2" Machinery Bushing 10 Ga	001006
36b	1" x 1 1/2" Machinery Bushing 14 Ga	001008
37	1" Heavy Duty Ext. Retaining Ring	702883
38	Hex Shaft. Middle Wing 66X	706028
39	Rotor Spindle Weldment	703761
40	Gearbox 6 Arm	704020
41	1/2" Serrated Safety Washer	702821
42	Hose Guard Weldment	706055
43	5/32 x 1 1/2" Cotter Pin	001215
44	3/4-16 Castle Nut	705070
45	3/4 x 1 1/4 Machinery Bushing	400146Z
46	CCF 5/8-14-20 Pipe Plug	706076
47	Pivot Pin Weldment	705013
48	1/4-28 Special Taper Fitting	400117
49	Bolt on Cylinder Plate	706026

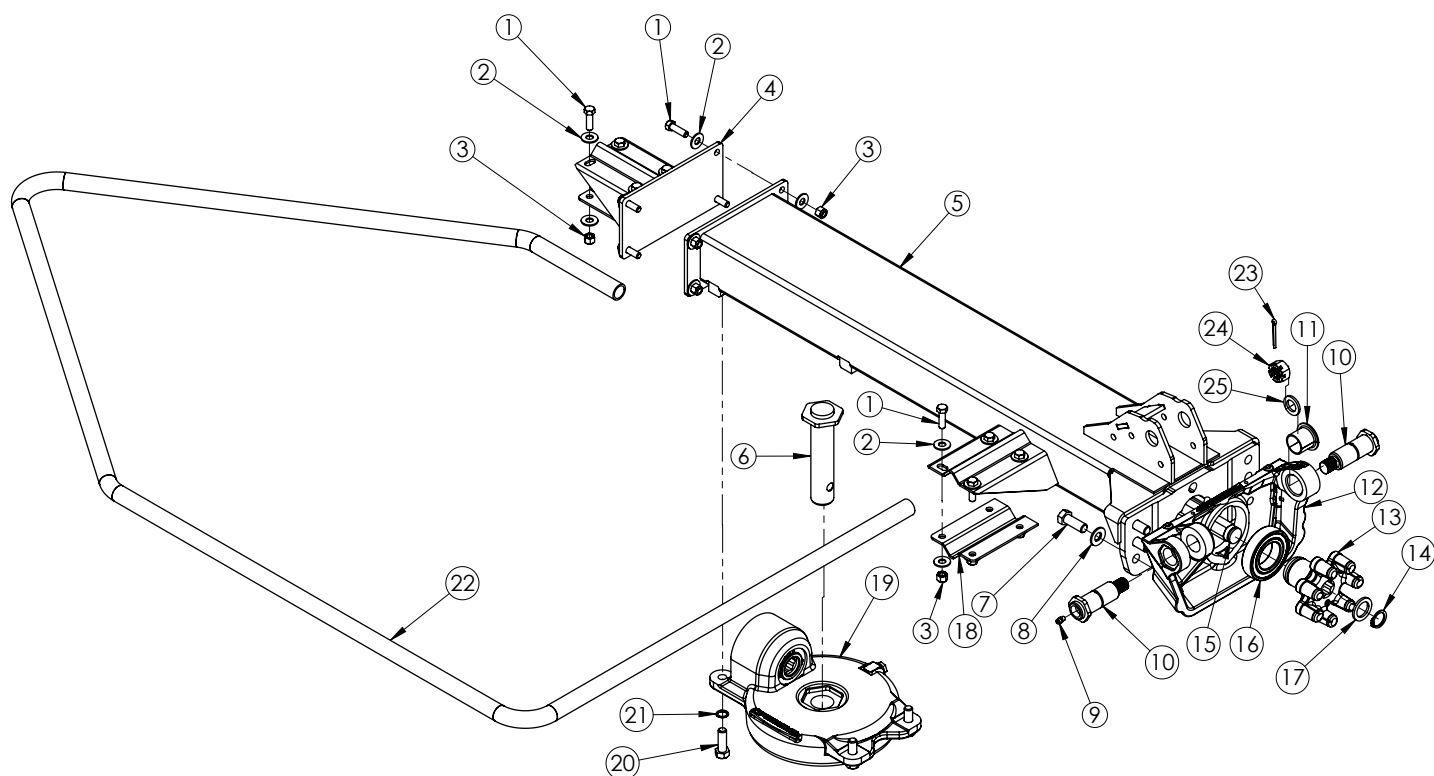
Right Center Wing



Right Center Wing - Continued

Ref#	Description	Part#
1	3/8-16 x 1 1/4" HH Bolt	000275
2	3/8 USS Flat Washer	001035
3	Wing Bumper	703324
4	Spacer Brace	705117
5	2" Bore x 16" Stroke Cyl.	704143
6	3/8-16 x 1 1/4" HH Bolt	000275
7	1" x 1 1/2" Machinery Bushing 10 Ga	001006
8	Cylinder Pin	705110
9	1/4 x 1 3/4" Roll Pin	500187
10	Gearbox 6 Arm	704020
11	Wing Base Pin	705082
12	3/8-19" Nylock Nut	003000
13	Cylinder Rod End Pivot Plate	706021
14	CUSN8 Diamond Indent Bearing	703780
15	Pivot Casting	703547
16	9/16" Serrated Conical Plated	705000
17	2" Bore x 12" Stroke Cyl.	705131
18	Cyl. Bracket Weldment	706029
19	1/2-13 x 2 1/2" HH Bolt	000460
20	1/2" SAE Flat Washer	001061
21	9/16-12 x 1 1/2" HH Bolt	000577
22	1/2-13 x 8" HH Bolt	000553
23	Right Side Bread Plate	705132
24	1/2" Nylock Nut	000950
25	1/4-20 X 3/4" H.H.B. Grade 5	000175
26	1/4" Flate Washer	001020
27	Guard Cradle	702696
28	Casting Finger Cover	705026
29	Pin, Axel / Cylinder Pin	703252
30	Right Cylinder Pivot Weldment	706062
31	Finger Drive Bearing	705028
32	7 Finger Drive	703546
33a	1" X 1 1/2" Machinery Bushing 14 Ga	001008
33b	1" X 1 1/2" Machinery Bushing 10 Ga	001006
34	1" Heavy Duty Ext. Retaining Ring	702883
35	5/32 X 1 1/2" Cotter Pin	001215
36	3/4-16 Castle Nut, Plated	705070
37	3/4 X 1 1/4" Machinery Bushing	400146Z
38	Pivot Pin Weldment	705013
39	1/4-28 Special Taper Fitting	400117
40	Hex Shaft, Middle Wing 66X	706028
41	1/2-13 X 1 1/2" HH Bolt	000435
42	1/2" Lock Washer	000840
43	Bolt Ext. Tube	704150
44	1/2" Serrated Safety Washer	702821
45	9/16-12 x 2 1/2" HH Bolt	000602
46	Rotor Spindle Weldment	703761
47	6100/8100 Middle Wing Guard	703263
48	Right Wing Middle Weldment 66X	706008

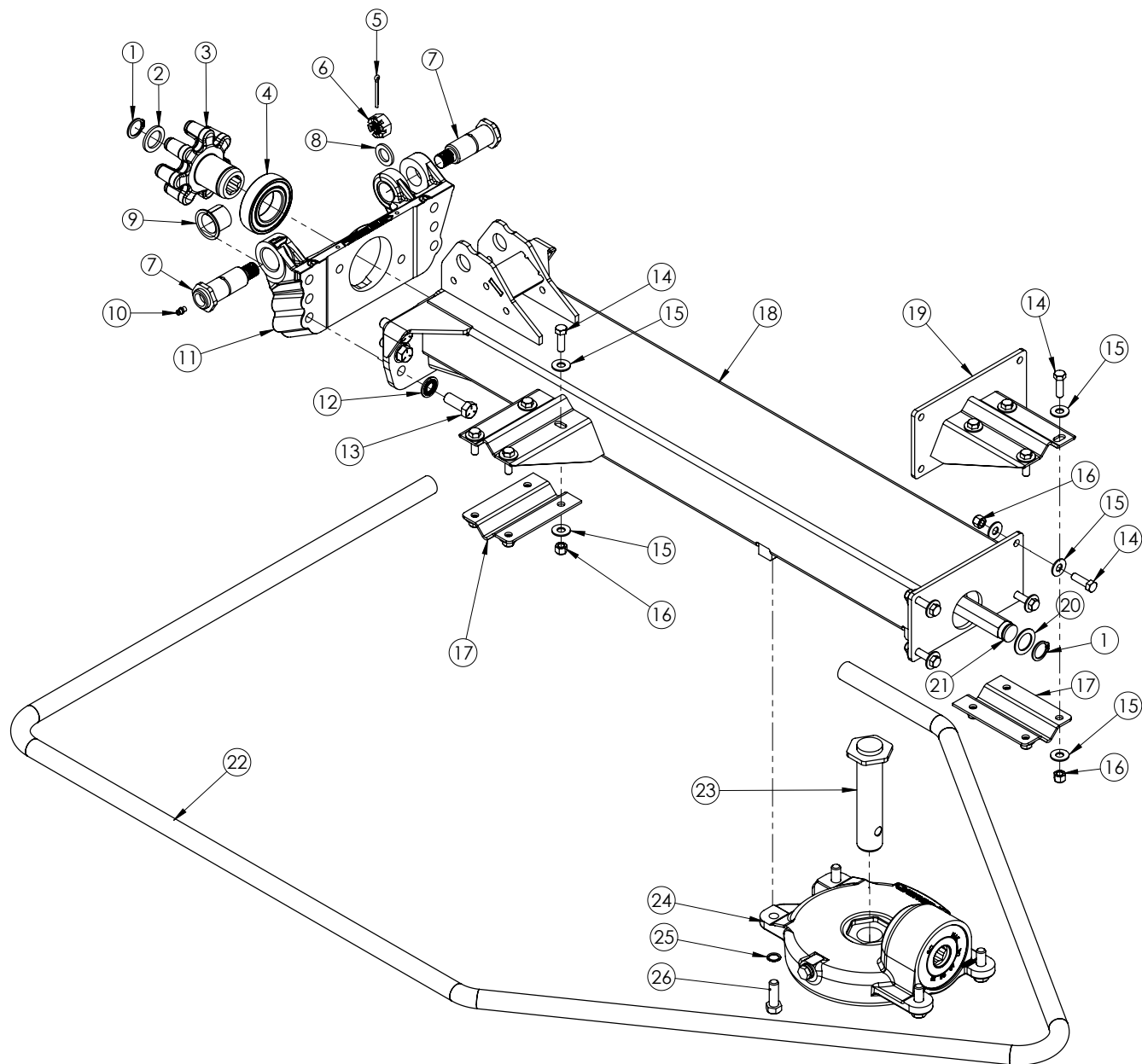
Outer Right Wing Assembly



Ref#	Description	Part#
1	3/8-16 x 1 1/4" HH Bolt	000275
2	3/8 USS Flat Washer	001035
3	3/8-16 Nylon Lock Nut	003000
4	Guard Sleeve Weldment	702704
5	Right Wing Weldment 66X	706010
6	Rotor Spindle Weldment	703761
7	9/16-12 x 1 1/2" HH Bolt	000577
8	9/16 Serrated Conical Plated	705000
9	1/4-28 Special Taper Fitting	400117
10	Pivot Pin Weldment	705013
11	CUSN8 Diamond Indent Bearing	703780
12	Pivot Casting	703547
13	7 Finger Drive	703546

14	1" Heavy Duty Ext. Retaining Ring	702883
15	Hex Shaft	705023
16	Spherical Bearing Finger Drive	705028
17a	1 X 1 1/2" Machinery Bushing 10 Ga	001006
17b	1 X 1 1/2" Machinery Bushing 14 Ga	001008
18	Guard Cradle	702696
19	Gearbox 6 Arm	704020
20	1/2-13 x 1 1/2" HH Bolt	000435
21	1/2" Serrated Safety Washer	702821
22	Outer Guard 66X	706116
23	5/32 x 1 1/2" Cotter Pin	001215
24	3/4-16 Castle Nut, Plated	705070
25	3/4 x 1 1/4" Machinery Bushing	400146Z

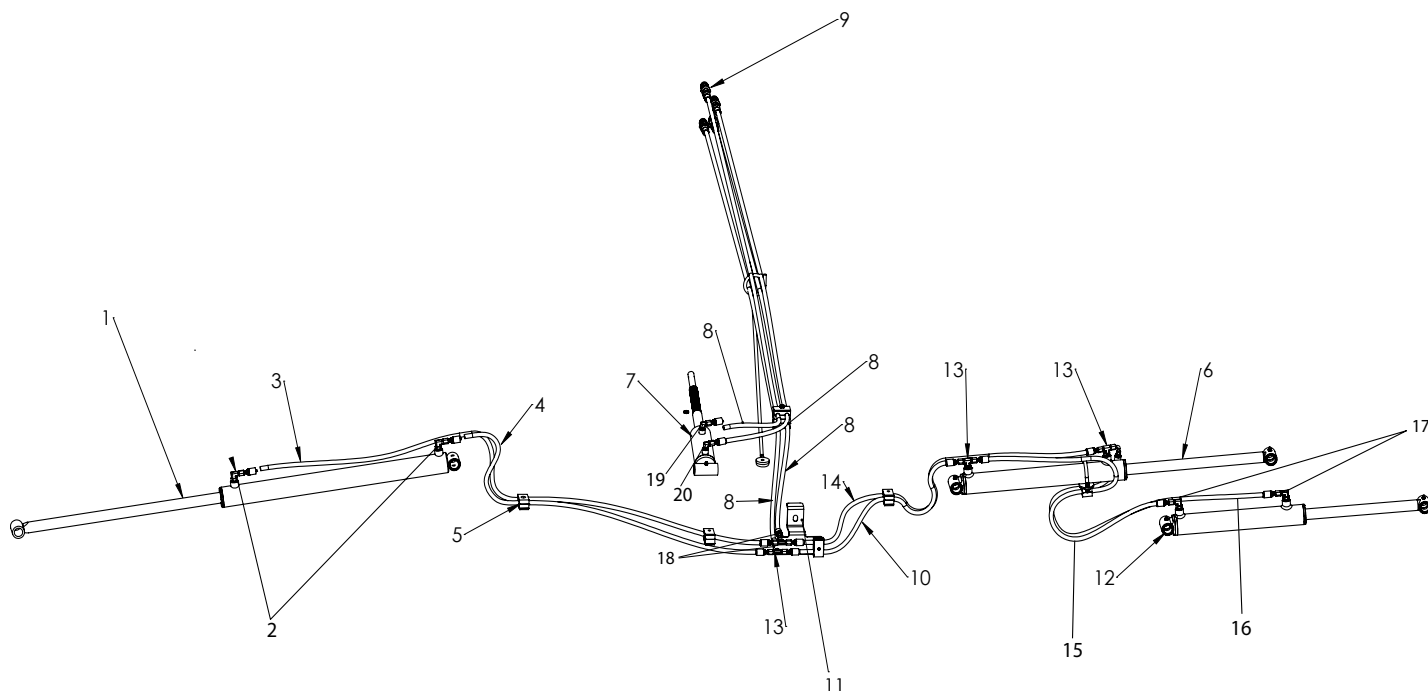
Outer Left Wing Assembly



Ref#	Description	Part#
1	1" Heavy Duty Ext. Retaining Ring	702883
2a	1 x 1 1/2" Machinery Bushing 10 Ga	001006
2b	1 X 1 1/2" Machinery Bushing 14 Ga	001008
3	7 Finger Drive	703546
4	Spherical Bearing Finger Drive	705028
5	5/32 x 1 1/2" Cotter Pin	001215
6	3/4-16 Castle Nut, Plated	705070
7	Pivot Pin Weldment	705013
8	3/4 x 1 1/4" Machinery Bushing	400146Z
9	CUSN8 Diamond Indent Bearing	703780
10	1/4-28 Special Taper Fitting	400117
11	Pivot Casting	703547
12	9/16" Serrated Conical Plated	705000
13	9/16 X 1 1/2" HH Bolt	000577

14	3/8-16 X 1 1/4" HH Bolt	000275
15	3/8 USS Flat Washer	001035
16	3/8-16 Nylon Lock Nut	003000
17	Guard Cradle	702696
18	Left Wing Weldment 66X	706012
19	Guard Sleeve Weldment	702704
20	1 X 1 1/2" Machinery Bushing 14 Ga	001008
21	Hex Shaft	705023
22	Outer Guard 66X	706116
23	Rotor Spindle Weldment	703761
24	Gearbox 6 Arm	704020
25	1/2 Serrated Safety Washer	702821
26	1/2-13 x 1 1/2" HH Bolt	000435

Hydraulics SN: xxxxxx-105566



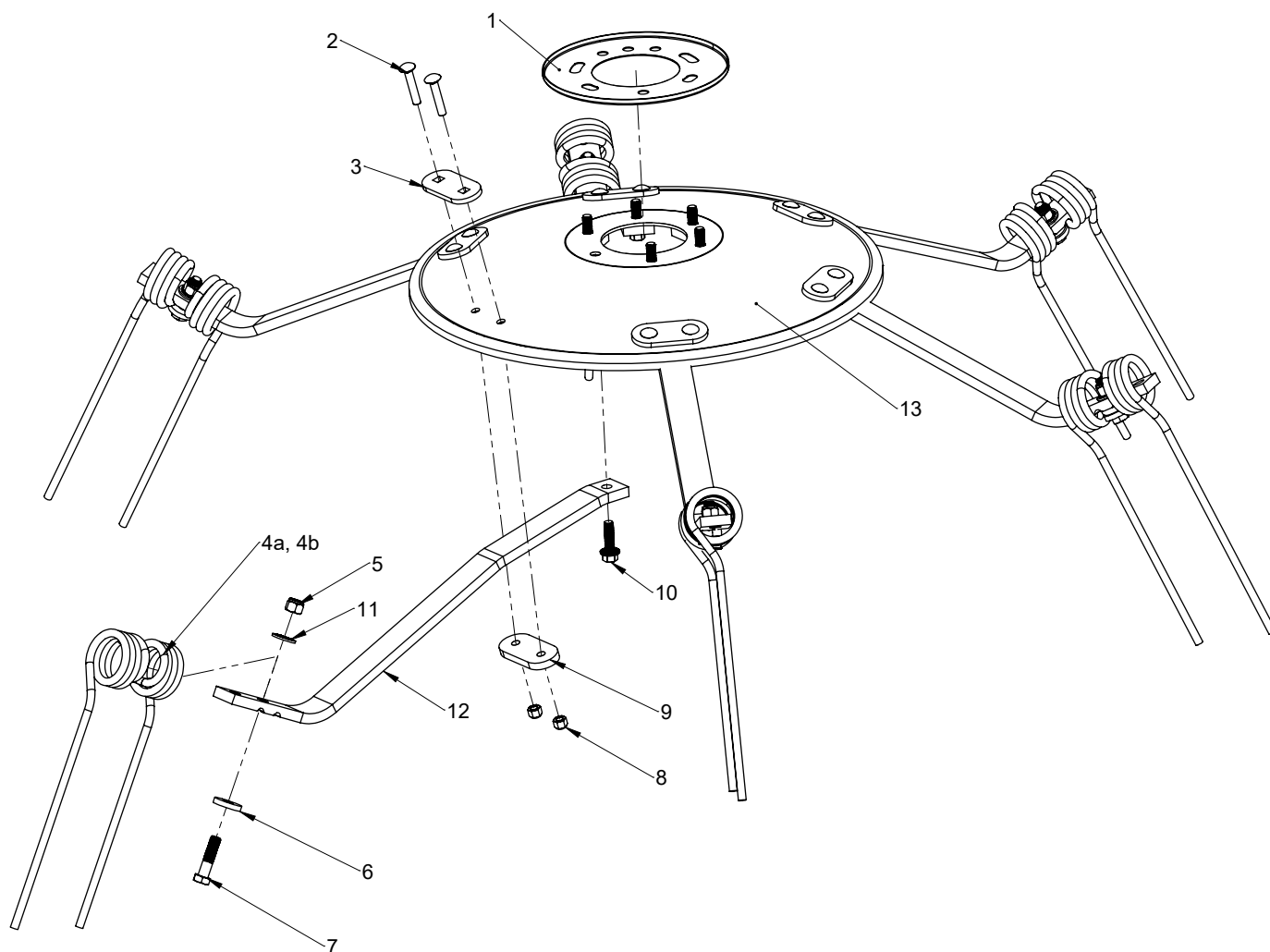
Ref#	Description	Part#	Ref#	Description	Part#
1	2" x 24" Cylinder	703458	10	31" Right Cylinder Base Hose	706049
2	90 Degree Elbow #4MJ x #8MB	290255	11	Hydraulic Hose Bracket	706041
3	74" Left Cylinder Rod Hose	706051	12	2" x 12" Cylinder	705131
4	50.5" Left Cylinder Base Hose	706052	13	T - Fitting	706066
5	1/4" Camp Block	510632	14	49" Right Cylinder Rod Hose	706050
6	2" x 16" Cylinder	704143	15	47" Right Base to Base Hose	706047
7	Tilt Cylinder	703604	16	45" Right Rod to Rod Hose (#4 FJX90S)	706048
8	118" x 1/4" Hose Assembly	701039	17	90 Degree Elbow #4MJ x #6MB	700907
9	1/2" Male Ag Coupler	290105	18	Straight Fitting #4FJ x #4MJ w/orfice 0.062	706075
			19	90 Degree Elbow,#4MB x #4MJ w/orfice 1/32"	706040
			20	90 degree Elbow,- #4 MJ X #4 MB	700948

Hydraulics SN: 105567-xxxxxx

Hydraulics SN: 105567-xxxxxx

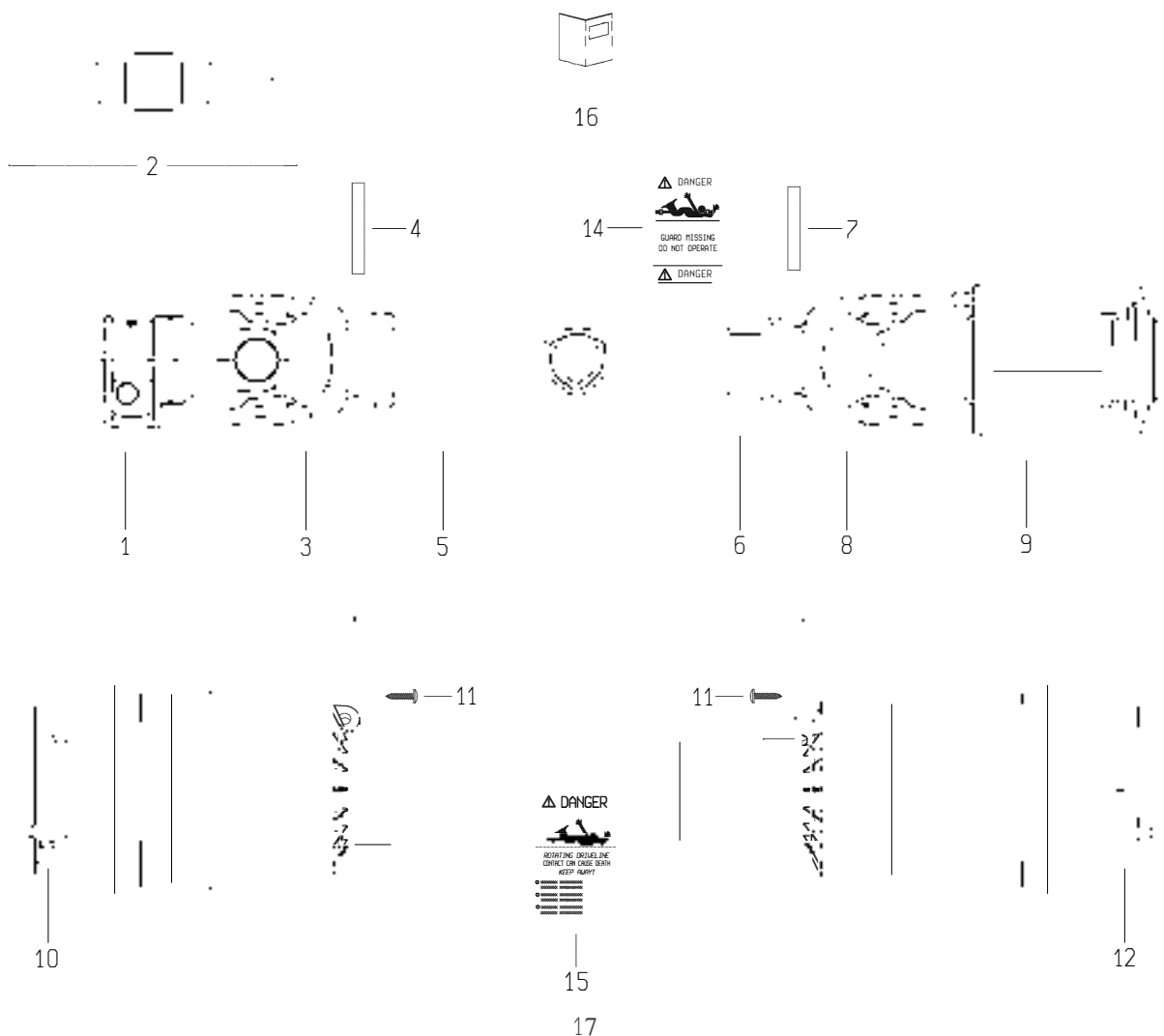
Ref#	Description	Part#
1	Straight Fitting #6MB x #4FB	706080
2	Check Orifice Fitting Type 6400-04-04-0.047	706084
3	31" Right Cylinder Base Hose	706049
4	T-fitting #4MJ x #4MJ x #4FJX	706081
5	49" Right Cylinder Rod Hose	706050
6	47" Right Base to Base Hose	706047
7	Tee - 1/4 in Male JIC 37 deg Flare x 1/4" Male JIC Flare x 3/8 in Male O-Ring Boss	706066
8	45" Right Rod to Rod Hose (#4 FJX90S)	706048
9		
10		
11		
12		
13		
14	74" Left Cylinder Rod Hose	706051
15	Straight Fitting #4FJ x #4MJ w/orifice 0.062	706075
16	90 Degree Elbow #4MJ x #8MB	290255
17	50.5" Left Cylinder Base Hose	706052
18		
19		

Tine Rotor and Hardware



Ref#	Description	Part#
1	Wrap Guard	702734
2	3/8-16 x 2" Carriage Bolt w/short square	000158
3	Upper Tedder Arm Support	703962
4a	Flat Bar Grey Tine Cw	703905
4b	Flat Bar Black Tine Ccw	703903
5	1/2" Nylon Locknut	000950
6	Flat Bar Tine Washer	703904
7	1/2-13 x 2 Gr. 8 Hex Head Bolt	000453
8	3/8-16 Nylon Lock Nut	003000
9	Lower Tedder Arm Support	703961
10	7/16-14 x 1-1/2 SER Hex Head Bolt	000725
11	9/16" Serrated Conical Washer	705000
12	Flat Bar Tine Arm	703902
13	6 Arm Tine Plate	703900

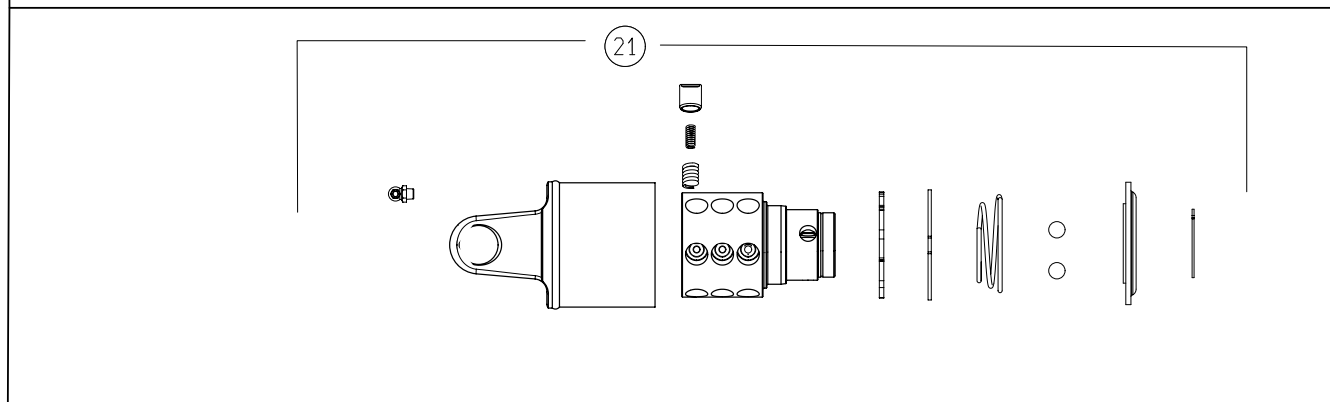
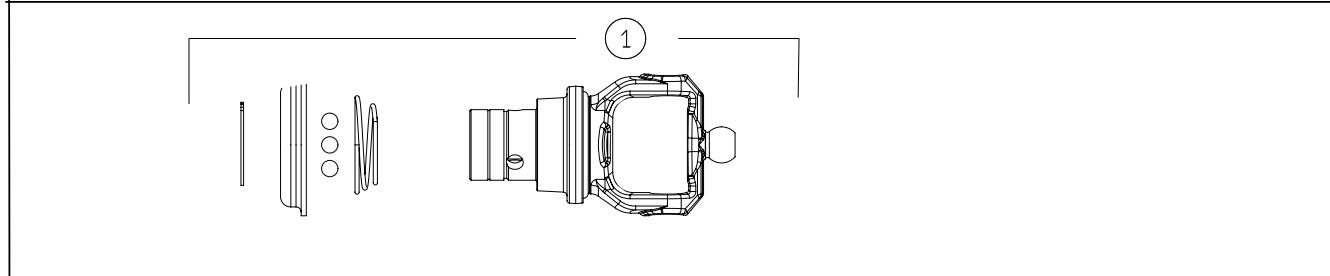
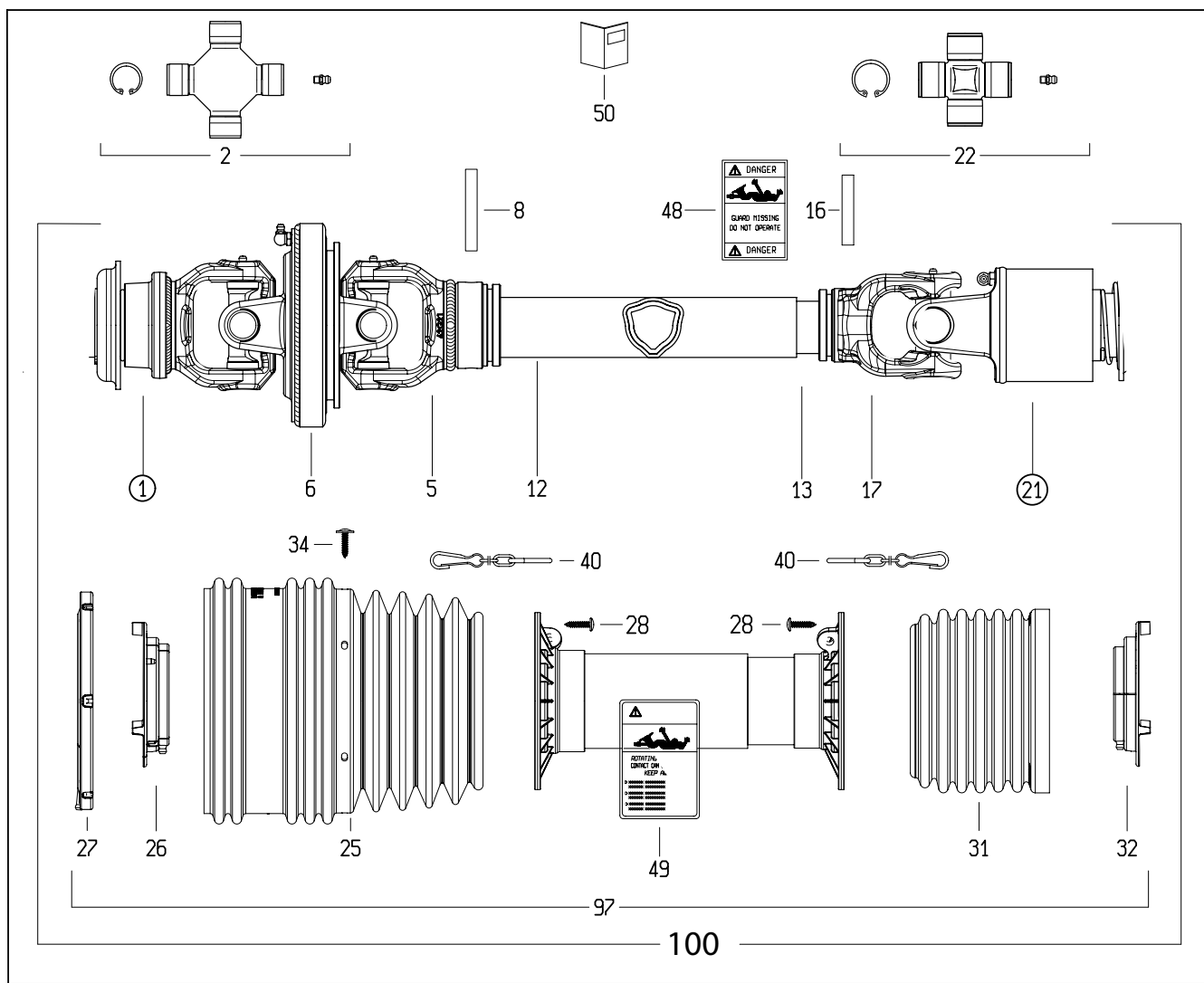
Standard PTO Shaft



Ref#	Description	Part#
1	Yoke #4/S4 1-3/8"Z6 Shrouded Pin (007)	500427
2	Cross Kit S4-G4 27X74.6 Cap Zerk	500428
3	Tube Yoke #4-G4 Outer (43.5)	500429
4	Flexible Roll Pin 8X60 Din1481	500430
5	Cardan Tube Outer 12508 L=1270	500431
6	Cardan Tube Inner 12507 L=1270	500432
7	Flexible Roll Pin 8X55 Din1481	500433
8	Tube Yoke #4-G4 Inner (36.0)	500434
9	Ratchet Clutch Assembly 1200 N.M.	

Ref#	Description	Part#
10	Shield Support Outer G3-G4	500436
11	Screw 4.8X22 Self Tap Zinc	500417
12	Shield Support Inner G3-G4	500437
13	Shield Chain W/S-Hook L=500Mm	500420
14	Label - Danger - Outer Drive Tube	500421
15	Label - Danger - Outer Shield Tube	500422
16	Instruction Booklet	500423
19	Complete Shield Kit	500440
	Complete PTO 1200Nm	706069
	CV Driveline Upgrade For HT4102/HT66X	703596

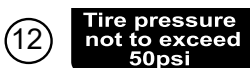
OPTIONAL Heavy Duty CV Joint Shaft Option



Updated PTO Shaft Parts

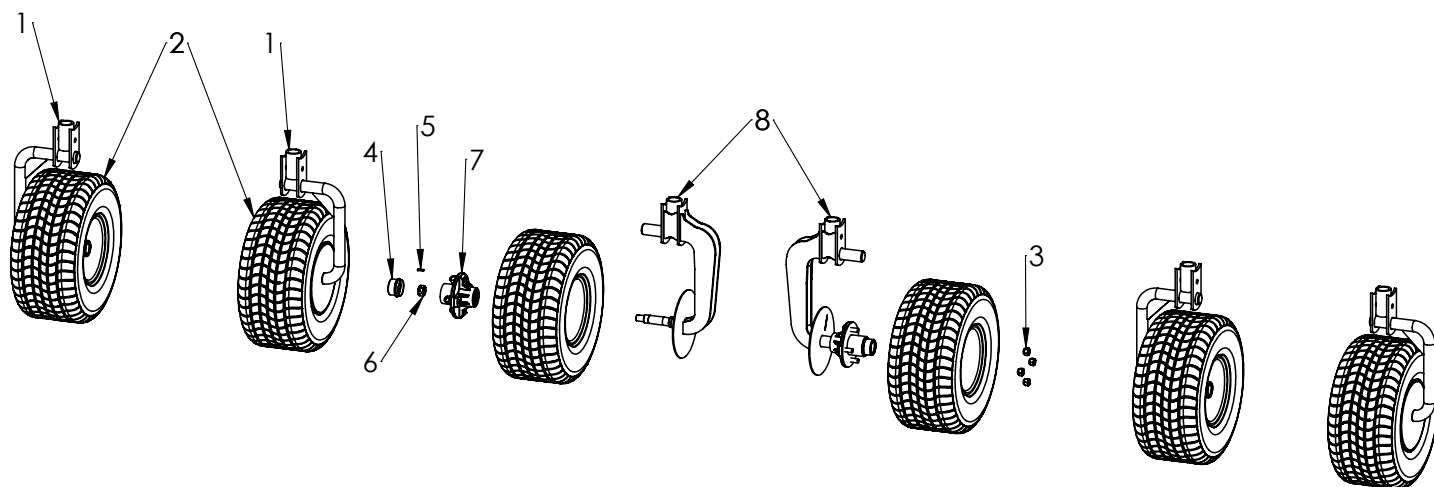
Ref#	Description	Part#
1	Yoke 80 deg CV 1-3/8 6 spline	703834-99
2	Cross Kit S6-1R6-G5-G7 EI 80°CV 27X100	703835
5	Outer Tube Yoke	703836
6	Central Body 1R6-S6-G5-G7 80°Cv Sft EL	703837-99
8	Flexible Roll Pin 10X70 Din1481	703838-99
12	Cardan Tube 12520 L=1200	704257-99
13	Cardan Tube	704258-99
16	Flexible Roll Pin 10X60 Din1481	703841
17	Tube Yoke #5-G5 Inner 5N7 (45.0)	703842-99
21	Torque Limiter	703843-99
22	Cross Kit S5-S6-G5 30.2X79.4 Cap Zerk	703844-99
28	Screw 4.8 x 22 Self Tap Zinc	500417-99
34	Screw 4.8 X 22 Self Tap Zinc Flange Head	503112
40	Shield Chain W/S-Hook L=500Mm	500420
48	Label - Danger - Outer Drive Tube	500421
49	Label - Danger - Outer Shield Tube	500422-99
50	Instruction Book- Global/SFT Universal	704256-99
97	SHIELD KIT G5 80°CV COMPLETE w/CHAINS	704255-99
100	Complete PTO Shaft	703596

Decals



Ref#	Description	Part#	Qty
1	Pequeea Decal X Series	705085	1
2	66X Decal	705096	2
3	Warning, Speed	903124	1
4	Warning, Thrown Objects	903106	2
5	Warning, Prevent Entanglement	903123	2
6	Warning, Hydraulic Pressure	903114	1
7	Warning, Crushing Hazard	903134	1
8	Amber Retroreflective Decal	903121	1
9	Red Retroreflective Decal	903112	2
10	Caution, General Information	903103	1
11	Caution, 540 PTO	903107	1
12	50 PSI Tire Pressure Decal	706117	2
13	20 PSI Tire Pressure Decal	701249	4
14	Complete Decal Kit, HT66X	706059	1

Wheel and Hub Orientation



Ref#	Description	Part#	Qty
1	Standard Tedder Wheel Frame	703878	4
2	Tire and Wheel Assembly	500220	6
3	1/2" Cone Wheel Nut	101458	24
4	Hub Cap	500209	6
5	5/32 x 1 1/2 Cotter Pin	001215	6
6	3/4-16 Castle Nut, Plated	705070	6
7	Hub Complete	501199	6
8	Heavy Duty Fixed Wheel Frame	706038	2