

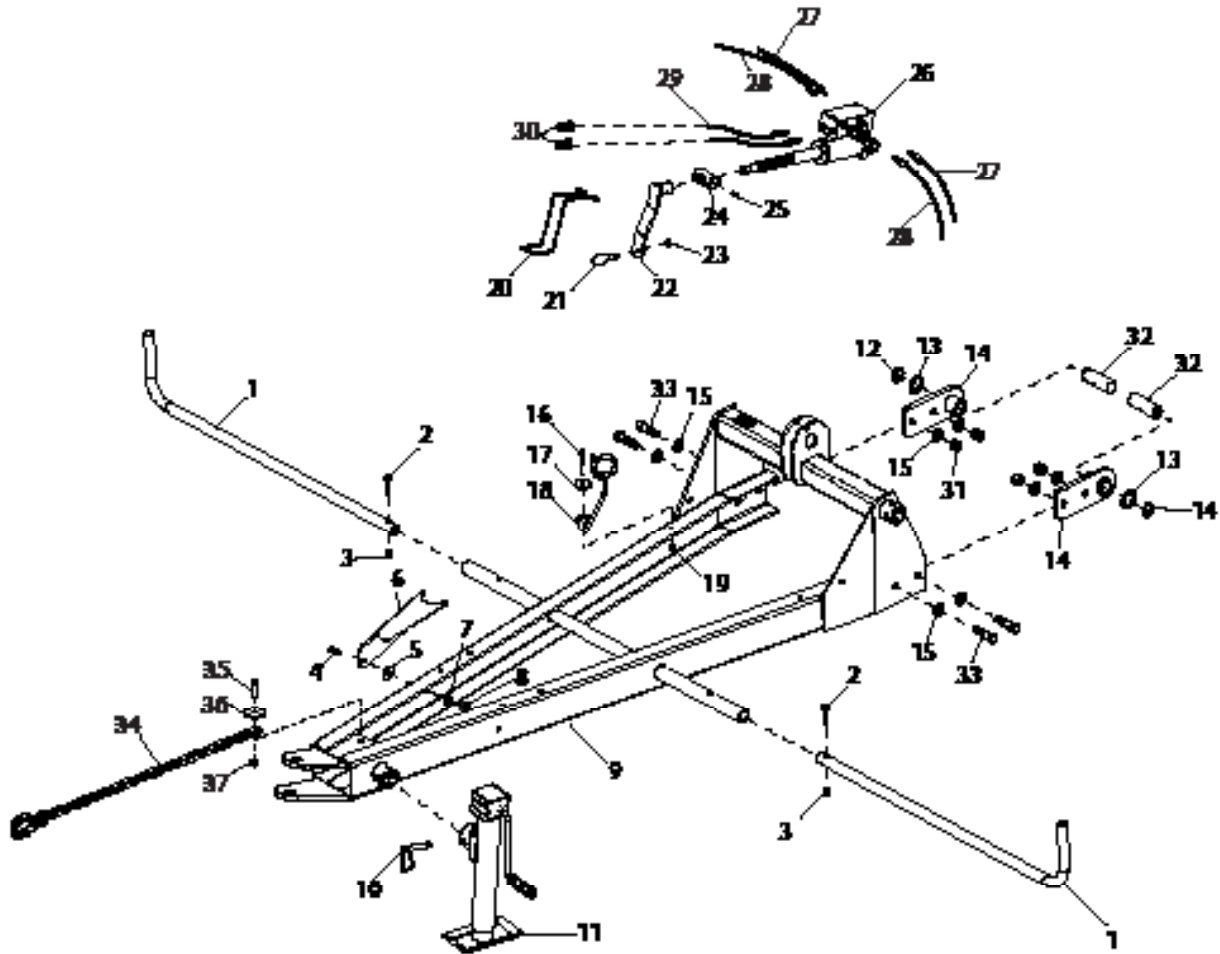


HT4101 Rotary Tedder

Illustrated Parts Breakdown

Page 1	Tongue Assembly S/N S/N -94344
Page 2	Tongue Assembly S/N 94344+
Page 3	Main Frame S/N -94344
Page 4	Main Frame S/N 94344 to 94416
Page 5	Main Frame S/N 94417+
Page 6	Rotor and Wing Assembly
Page 7	Axle and Wheel S/N -95002
Page 8	Axle and Wheel S/N 95002+
Page 9	Input Gearbox Assembly
Page 10	Rotor Gearbox Assembly
Page 11	PTO Shaft Assembly
Page 12	Hydraulics -94344
Page 13	Hydraulics 94344+
Page 14	Decals

Tongue Assembly S/N -94344

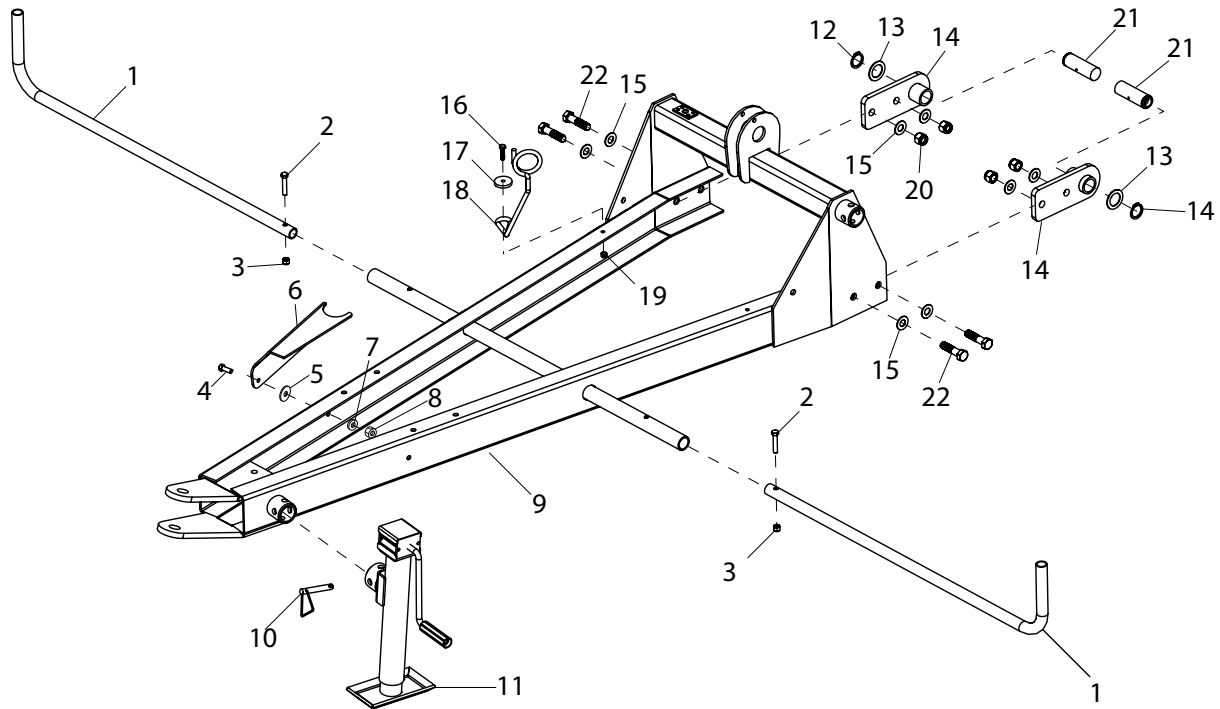


Ref#	Description	Part#
1	Front Guard	702755
2	3/8" x 2" HH Bolt	000286
3	3/8" Nylon Lock Nut	003000
4	Bolt, 3/8 x 1.25	000275
5	3/8" Fender Washer	001105
6	PTO Stand	500015
7	3/8" Lock Washer	000820
8	3/8" Nut	000915
9	Tongue Weldment	703509
10	Jack Mount Pin	500012
11	2K Side Wind Jack	903317
12	Ext Retaining Ring, 1-1/4 Zinc	702826
13	1-1/4 x 1-7/8 Bushing, 14 Ga.	500185
14	Hitch Bolting Weld Assembly	703484
15	5/8 SAE Flat Washer Zinc	001076
16	Hex Nut, 3/8	000915

* Top or side wind jacks fit on same mounting stub

Ref#	Description	Part#
17	Bolt, 5/16 x 1-1/4	000230
18	Heavy Washer	502308
19	Lock Nut, 5/16	002999
20	Cylinder Handle Lock	702713
21	Stainless Steel Handle	502149
22	Front Cyl. Handle Weldment	503037
23	3/8" Nylon Jam Nut	000920
24	Threaded Cylinder Mount	502218
25	1/4" Grease Fitting	400117
26	Front Tilt Cylinder and Manifold	701033
27	Short Cylinder Hose	701037
28	Long Cylinder Hose	701038
29	Tractor Hose	701039
30	Male Hydraulic Coupler	290105
31	5/8-11 Nylon Lock Nut, Gr.5 Zinc	000972
32	Tongue Pivot Pin	702829
33	5/8-11 x 2 Hex Head Bolt	000615

Tongue Assembly S/N 94344+



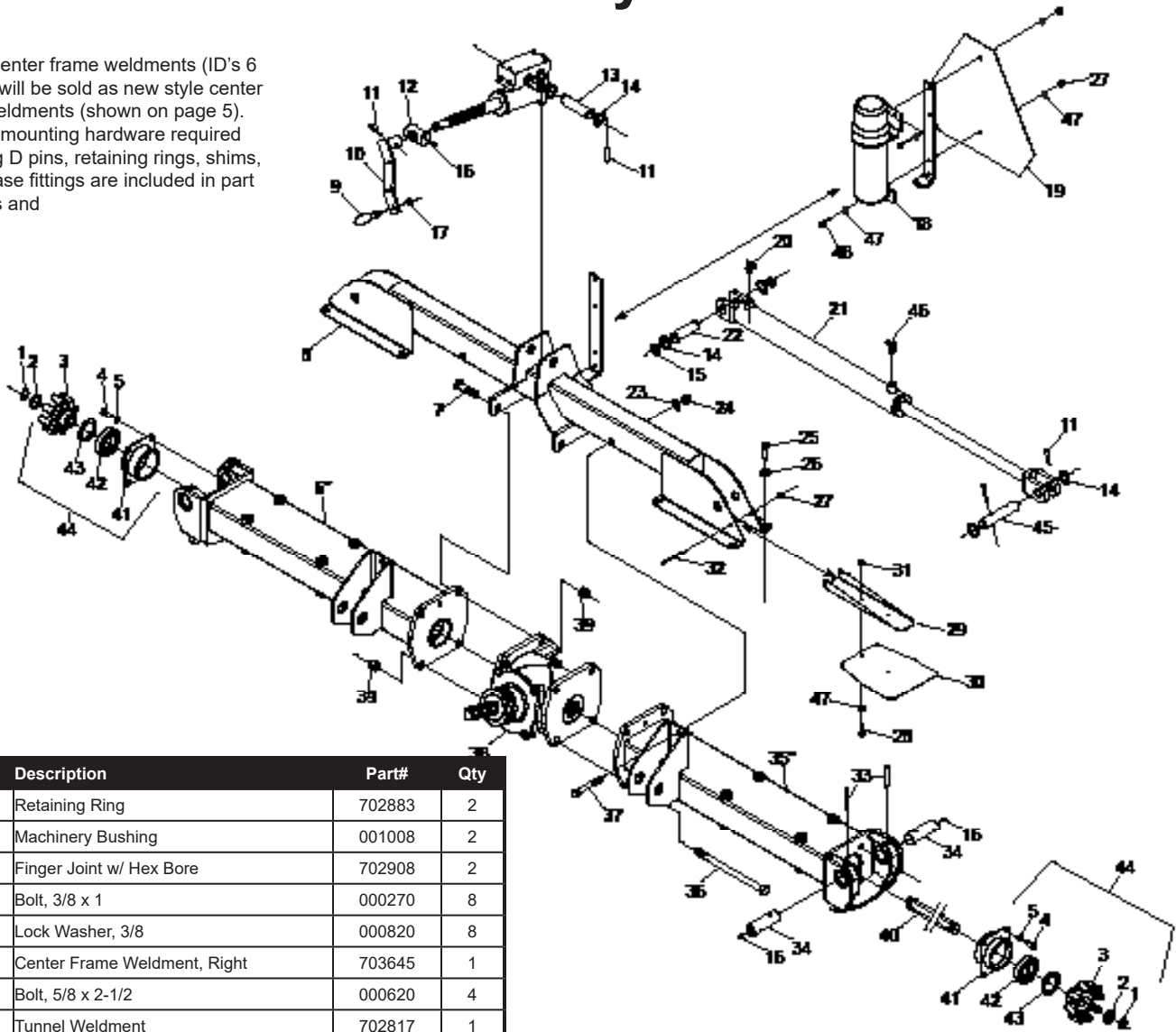
Ref#	Description	Part#
1	Front Guard	702755
2	3/8" x 2" HH Bolt	000286
3	3/8" Nylon Lock Nut	003000
4	Bolt, 3/8 x 1	000270
5	3/8" Fender Washer	001105
6	PTO Stand	500015
7	3/8" Lock Washer	000820
8	3/8" Nut	000915
9	Tongue Weldment	703509
10	Jack Mount Pin	500012
11	2K Side Wind Jack	903317

Ref#	Description	Part#
12	Ext Retaining Ring, 1-1/4 Zinc	702826
13	1-1/4 x 1-7/8 Bushing, 14 Ga.	500185
14	Hitch Bolting Weld Assembly	703484
15	5/8 SAE Flat Washer Zinc	001076
16	Hex Nut, 3/8	000915
17	Bolt, 5/16 x 1-1/4	000230
18	Heavy Washer	502308
19	Lock Nut, 5/16	002999
20	5/8-11 Nylon Lock Nut, Gr.5 Zinc	000972
21	Tongue Pivot Pin	702829
22	5/8-11 x 2 Hex Head Bolt	000615

* Top or side wind jacks fit on same mounting stub

Main Assembly S/N -94344

*Note: Center frame weldments (ID's 6 and 35) will be sold as new style center frame weldments (shown on page 5). All pivot mounting hardware required including D pins, retaining rings, shims, and grease fittings are included in part numbers and

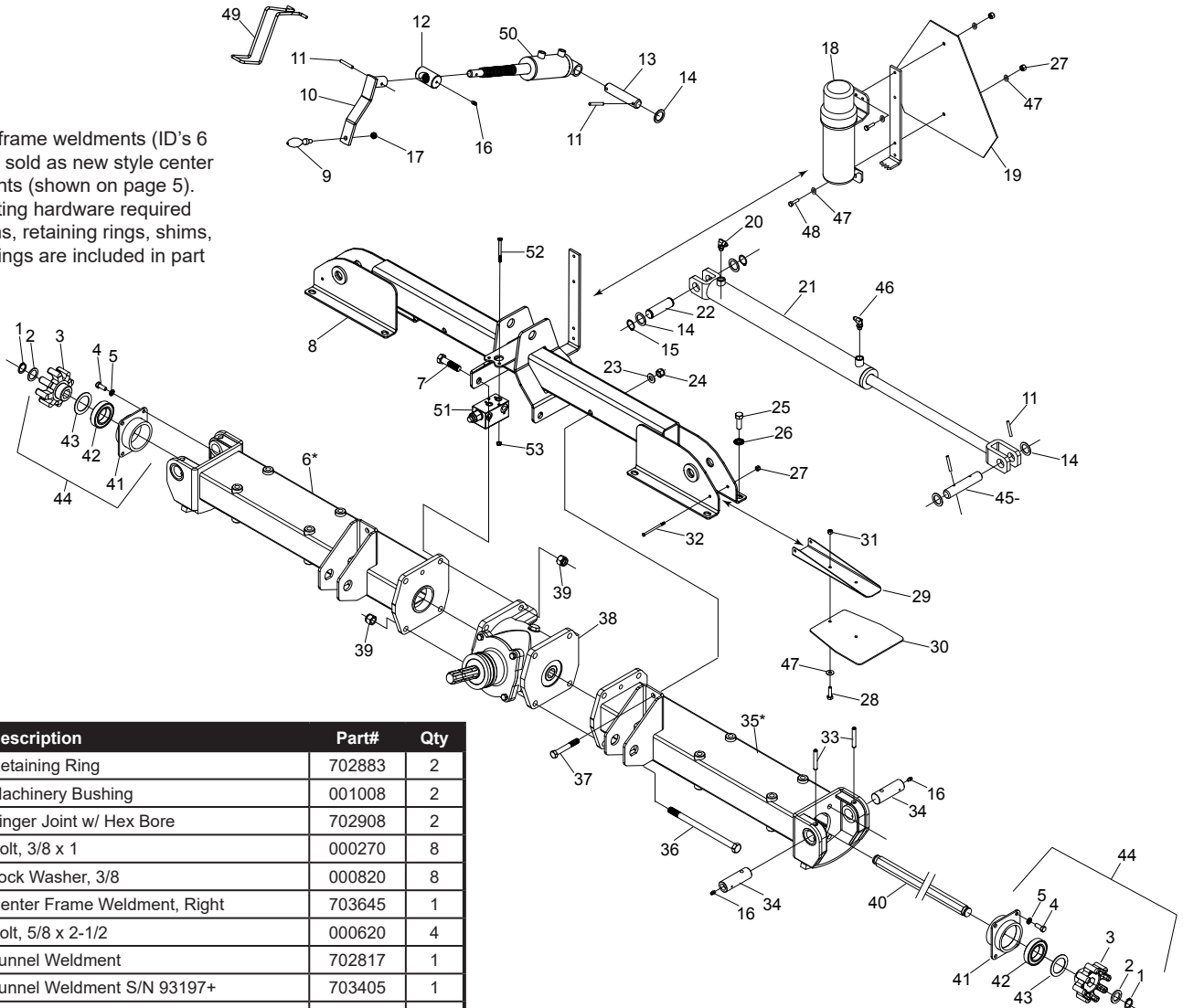


Ref#	Description	Part#	Qty
1	Retaining Ring	702883	2
2	Machinery Bushing	001008	2
3	Finger Joint w/ Hex Bore	702908	2
4	Bolt, 3/8 x 1	000270	8
5	Lock Washer, 3/8	000820	8
6	Center Frame Weldment, Right	703645	1
7	Bolt, 5/8 x 2-1/2	000620	4
8a	Tunnel Weldment	702817	1
8b	Tunnel Weldment S/N 93197+	703405	1
9	Handle	502149	1
10	Handle Assembly	503037	1
11	Roll Pin, 1/4 x 1-3/4	500187	5
12	Threaded Cylinder Pin	502218	1
13	Front Tilt Cylinder Pin	701021	1
14	Machinery Bushing, 1"	001008	6
15	Retaining Ring, 1"	505648	4
16	Grease Fitting	400117	5
17	Nylon Jam Nut, 3/8	000920	1
18	OM Canister	503050	1
	Operator's Manual, TT4100	990039	1
19	SMV Triangle	507166	1
20	90 Degree Elbow, - #4 MJ x #4 MP	702459	2
21	Cylinder	701040	2
22	Cylinder Pin	701021	2
23	Washer	001061	2
24	Nylon Lock Nut, 1/2	000950	2
25	Bolt, 1/2 x 1-1/2	000435	16
26	1/2" Serrated Washer	702821	16
27	Nylon Locknut, 1/4	003001	4
28	Bolt, 1/4 x 3/4	000175	4

Ref#	Description	Part#	Qty
29	Joint Cover Bracket	702843	2
30	Rubber Cover	701032	2
31	Nylon Locknut, 1/4	003001	4
32	Bolt, 1/4 x 3-1/4	000200	2
33	Roll Pin, 3/8 x 2	702798	4
34	Pivot Pin	702725	4
35	Center Frame Weldment, Left	703644	1
36	Bolt, 5/8 x 10	000690	2
37	Bolt, 1/2 x 4	000205	2
38	Center Gearbox Assembly	703621	1
39	Nylon Locknut, 5/8	000972	6
40	Hex Drive Shaft, Center	702884	1
41	Bearing Bracket	702877	2
42	Bearing, 6009-2RS	702613	3
43	Finger Joint Spacer	702668	2
44	Finger & Bearing Assembly	702874	2
45	Rod End Cylinder Pin	701017	2
46	90 Degree Elbow, - #4 MJ x #6 MP	101916	2
47	1/4" Flat Washer	001020	8
48	1/4" x 1-1/4" Hex Head Bolt	000184	2

Main Assembly S/N 94344 - 94416

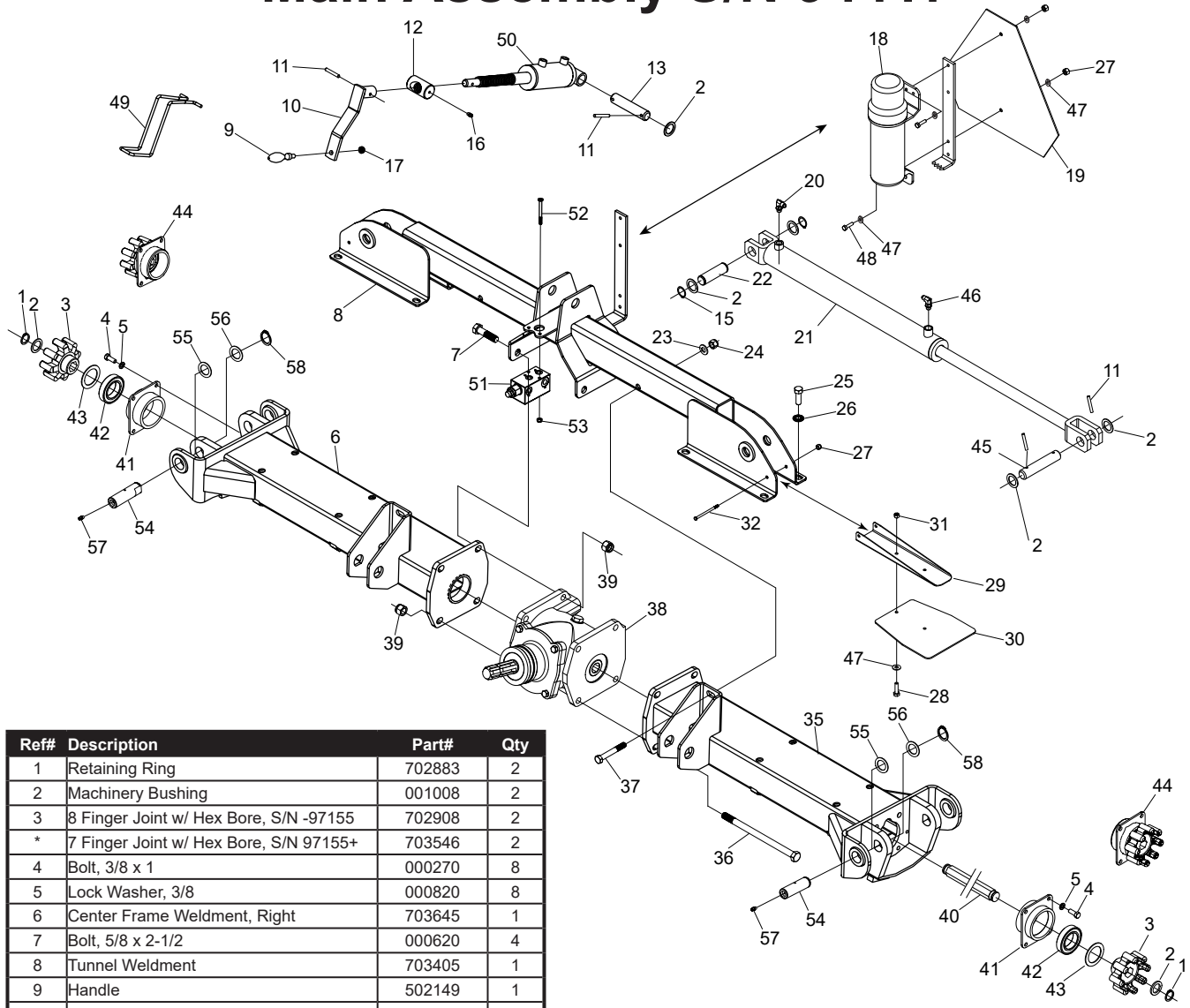
*Note: Center frame weldments (ID's 6 and 35) will be sold as new style center frame weldments (shown on page 5). All pivot mounting hardware required including D pins, retaining rings, shims, and grease fittings are included in part numbers and.



Ref#	Description	Part#	Qty
1	Retaining Ring	702883	2
2	Machinery Bushing	001008	2
3	Finger Joint w/ Hex Bore	702908	2
4	Bolt, 3/8 x 1	000270	8
5	Lock Washer, 3/8	000820	8
6	Center Frame Weldment, Right	703645	1
7	Bolt, 5/8 x 2-1/2	000620	4
8a	Tunnel Weldment	702817	1
8b	Tunnel Weldment S/N 93197+	703405	1
9	Handle	502149	1
10	Handle Assembly	503037	1
11	Roll Pin, 1/4 x 1-3/4	500187	5
12	Threaded Cylinder Pin	502218	1
13	Front Tilt Cylinder Pin	701021	1
14	Machinery Bushing, 1"	001008	6
15	Retaining Ring, 1"	505648	4
16	Grease Fitting	400117	5
17	Nylon Jam Nut, 3/8	000920	1
18	OM Canister	503050	1
	Operator's Manual, TT4100	990039	1
19	SMV Triangle	507166	1
20	90 Degree Elbow,- #4 MJ x #4 MP	702459	2
21	Cylinder	701040	2
22	Cylinder Pin	701021	2
23	Washer	001061	2
24	Nylon Lock Nut, 1/2	000950	2
25	Bolt, 1/2 x 1-1/2	000435	16
26	1/2" Serrated Washer	702821	16
27	Nylon Locknut, 1/4	003001	4
28	Bolt, 1/4 x 3/4	000175	4
29	Joint Cover Bracket	702843	2
30	Rubber Cover	701032	2
31	Nylon Locknut, 1/4	003001	4

Ref#	Description	Part#	Qty
32	Bolt, 1/4 x 3-1/4	000200	2
33	Roll Pin, 3/8 x 2	702798	4
34	Pivot Pin	702725	4
35	Center Frame Weldment, Left	703644	1
36	Bolt, 5/8 x 10	000690	2
37	Bolt, 1/2 x 4	000205	2
38	Center Gearbox Assembly	703621	1
39	Nylon Locknut, 5/8	000972	6
40	Hex Drive Shaft, Center	702884	1
41	Bearing Bracket	702877	2
42	Bearing, 6009-2RS	702613	3
43	Finger Joint Spacer	702668	2
44	Finger & Bearing Assembly	702874	2
45	Rod End Cylinder Pin	701017	2
46	90 Degree Elbow,- #4 MJ x #6 MP	101916	2
47	1/4" Flat Washer	001020	8
48	1/4" x 1-1/4" Hex Head Bolt	000184	2
49	Cylinder Handle Lock	702713	1
50	Front Tilt Cylinder	703604	1
51	HT4100 Manifold	703619	1
52	1/4" x 2-1/2" Hex Head Bolt	000195	2
53	1/4" Nylon Lock Nut	003001	2

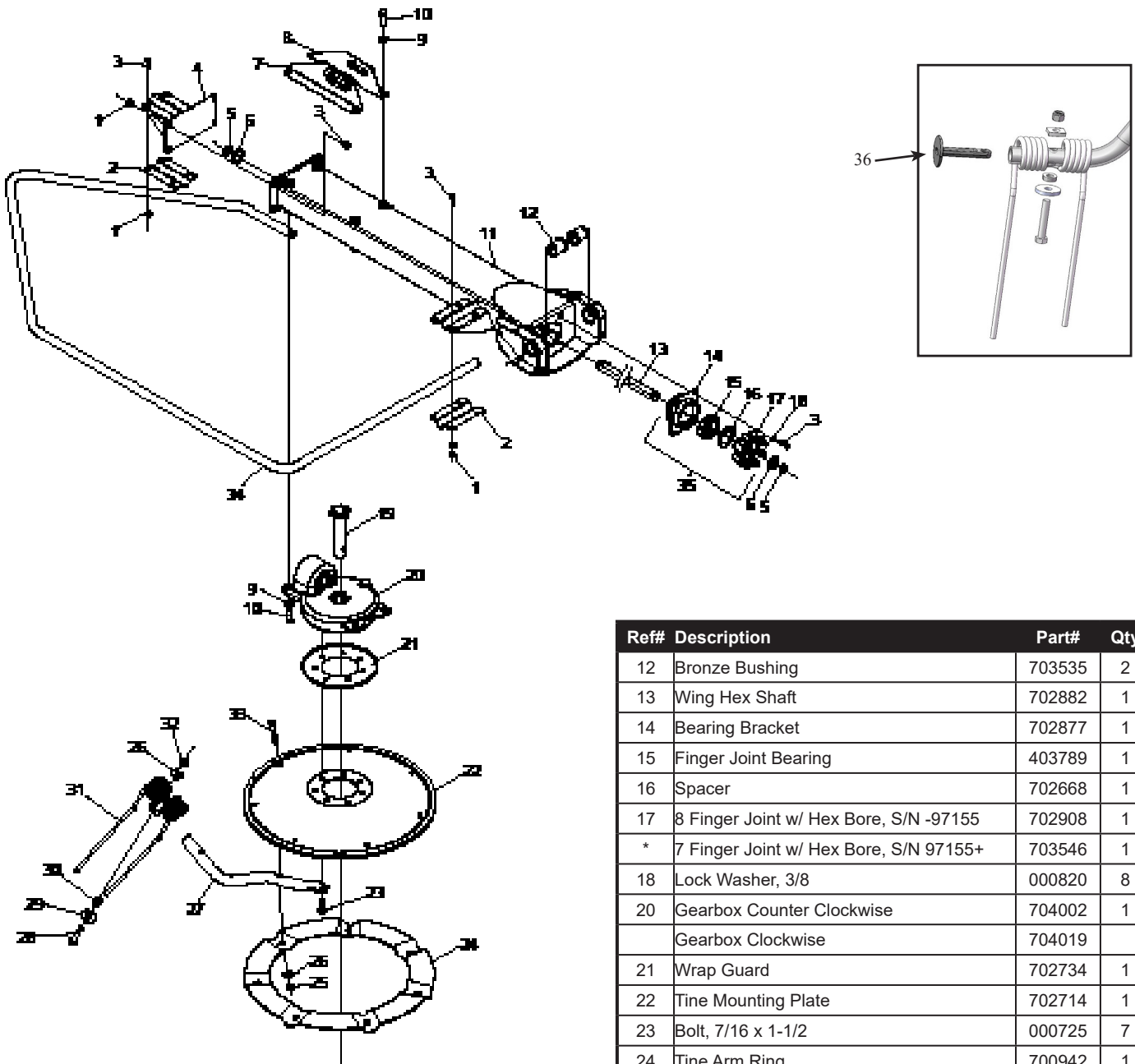
Main Assembly S/N 94417+



Ref#	Description	Part#	Qty
1	Retaining Ring	702883	2
2	Machinery Bushing	001008	2
3	Finger Joint w/ Hex Bore, S/N -97155	702908	2
*	7 Finger Joint w/ Hex Bore, S/N 97155+	703546	2
4	Bolt, 3/8 x 1	000270	8
5	Lock Washer, 3/8	000820	8
6	Center Frame Weldment, Right	703645	1
7	Bolt, 5/8 x 2-1/2	000620	4
8	Tunnel Weldment	703405	1
9	Handle	502149	1
10	Handle Assembly	503037	1
11	Roll Pin, 1/4 x 1-3/4	500187	5
12	Threaded Cylinder Pin	502218	1
13	Front Tilt Cylinder Pin	701021	1
14	Machinery Bushing, 1"	001008	6
15	Retaining Ring, 1"	505648	4
16	Grease Fitting	400117	5
17	Nylon Jam Nut, 3/8	000920	1
18	OM Canister	503050	1
*	Operator's Manual	990130	1
19	SMV Triangle	507166	1
20	90 Degree Elbow,- #4 MJ x #4 MP	702459	2
21	Cylinder	701040	2
22	Cylinder Pin	701021	2
23	Washer	001061	2
24	Nylon Lock Nut, 1/2	000950	2
25	Bolt, 1/2 x 1-1/2	000435	16
26	1/2" Serrated Washer	702821	16
27	Nylon Locknut, 1/4	003001	4
28	Bolt, 1/4 x 3/4	000175	4
29	Joint Cover Bracket	702843	2
30	Rubber Cover	701032	2
31	Nylon Locknut, 1/4	003001	4
32	Bolt, 1/4 x 3-1/4	000200	2
33	Roll Pin, 3/8 x 2	702798	4
34	Pivot Pin	702725	4
35	Center Frame Weldment, Left	703644	1

Ref#	Description	Part#	Qty
36	Bolt, 5/8 x 10	000690	2
37	Bolt, 1/2 x 4	000205	2
38	Center Gearbox Assembly	703621	1
39	Nylon Locknut, 5/8	000972	6
40	Hex Drive Shaft, Center	702884	1
41	Bearing Bracket	702877	2
42	Finger Joint Bearing	403789	2
43	Finger Joint Spacer	702668	2
44	Finger & Bearing Assembly, S/N -97155	702874	2
*	Finger & Bearing Assembly, S/N 97155+	705068	2
45	Rod End Cylinder Pin	701021	2
46	90 Degree Elbow,- #4 MJ x #6 MP	101916	2
47	1/4" Flat Washer	001020	8
48	1/4" x 1-1/4" Hex Head Bolt	000184	2
49	Cylinder Handle Lock	702713	1
50	Front Tilt Cylinder	703604	1
51	HT4100 Manifold	703619	1
52	1/4" x 2-1/2" Hex Head Bolt	000195	2
53	1/4" Nylon Lock Nut	003001	2
54	Wing 1.250" D Pin	703052	4
55	1-1/4" x 1-7/8" 18 Ga. Machinery Bushing	703588	4
56	1-1/4" x 1-7/8" Machinery Bushing, 14 Ga.	500185	4
57	1/4"-28 Spin-drive Grease Zert	400117	4
58	External Retaining Ring, 1-1/4" Zinc	702826	4

TT4101 Rotor and Wing Assembly

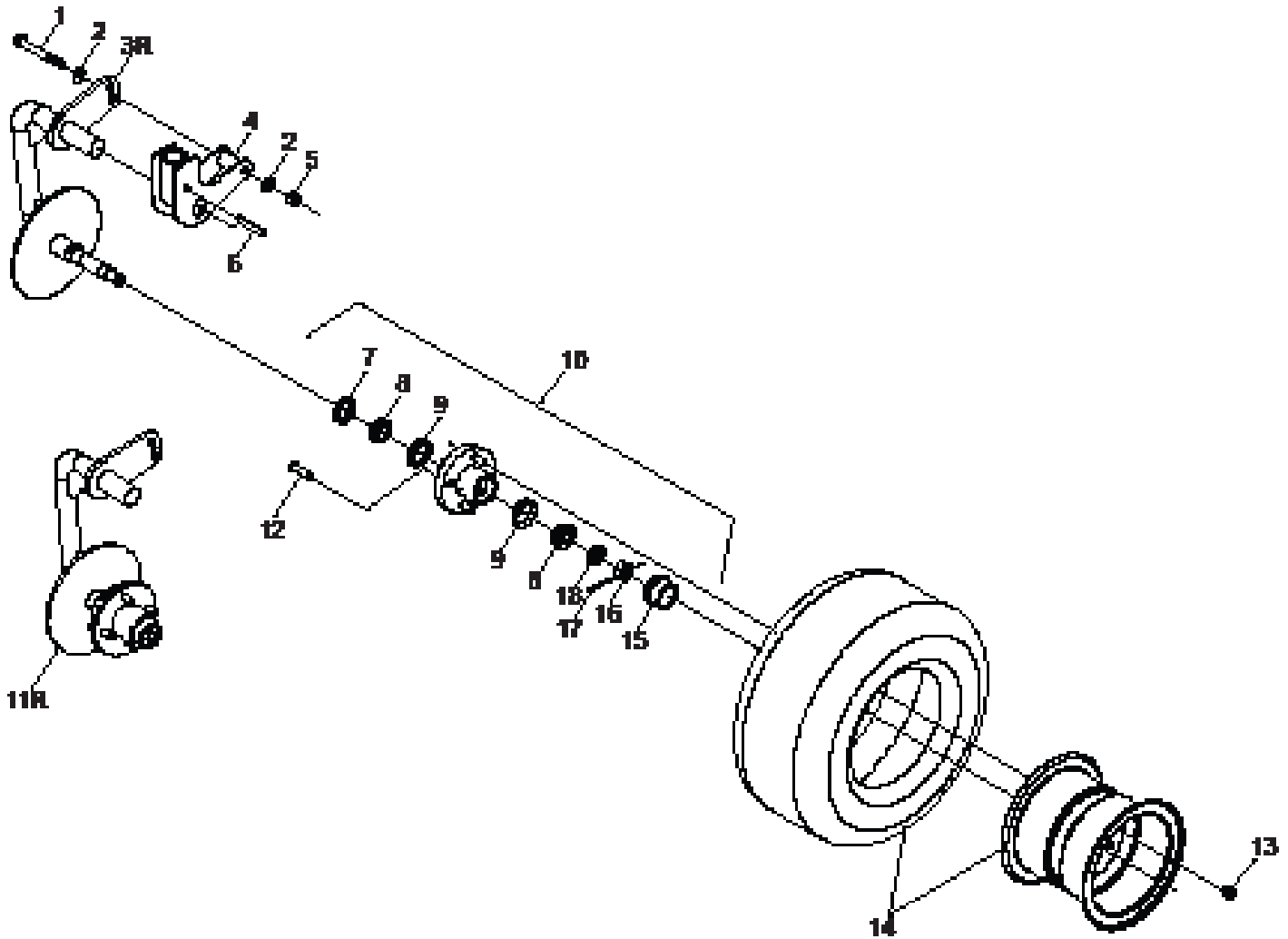


Ref#	Description	Part#	Qty
1	Nylon Locknut, 3/8	003000	8
2	Guard Cradle	702696	2
3	Bolt, 3/8 x 1	000270	8
4	Guard Bracket	702704	1
5	Retaining Ring	702883	2
6	Machinery Bushing, 1/4	001008	2
7	Cylinder Bracket	702837	1
8	Cylinder Bracket	702836	1
9	Safety Washer	702821	8
10	Bolt, 1/2 x 1-1/2	000435	8
11	Wing Weldment, Right	702863	1
*	Wing Weldment, Left	702865	1

Ref#	Description	Part#	Qty
12	Bronze Bushing	703535	2
13	Wing Hex Shaft	702882	1
14	Bearing Bracket	702877	1
15	Finger Joint Bearing	403789	1
16	Spacer	702668	1
17	8 Finger Joint w/ Hex Bore, S/N -97155	702908	1
*	7 Finger Joint w/ Hex Bore, S/N 97155+	703546	1
18	Lock Washer, 3/8	000820	8
20	Gearbox Counter Clockwise	704002	1
	Gearbox Clockwise	704019	
21	Wrap Guard	702734	1
22	Tine Mounting Plate	702714	1
23	Bolt, 7/16 x 1-1/2	000725	7
24	Tine Arm Ring	700942	1
25	Nylon Locknut, 7/16	000385	7
26	Radius Washer	701008	14
27	Tine Arm	702718	7
28	Bolt, 1/2 x 3 Gr.8	000471	7
29	Bottom Tine Washer	701004	7
30	Tine Pitch Washer	701005	7
31	Black Tine, CCW Rotation	700901	7
	Gray Tine, CW Rotation	700929	
32	Nylon Locknut, 1/2	000950	7
33	Bolt, 7/16 x 2-1/2	000375	7
34	Outer Guard	702693	1
35	Finger & Bearing Assembly, S/N -97155	702874	1
*	Finger & Bearing Assembly, S/N 97155+	705068	1
36	Tine Saver Option	704116	7

NOTE: Quantities listed are for left side only

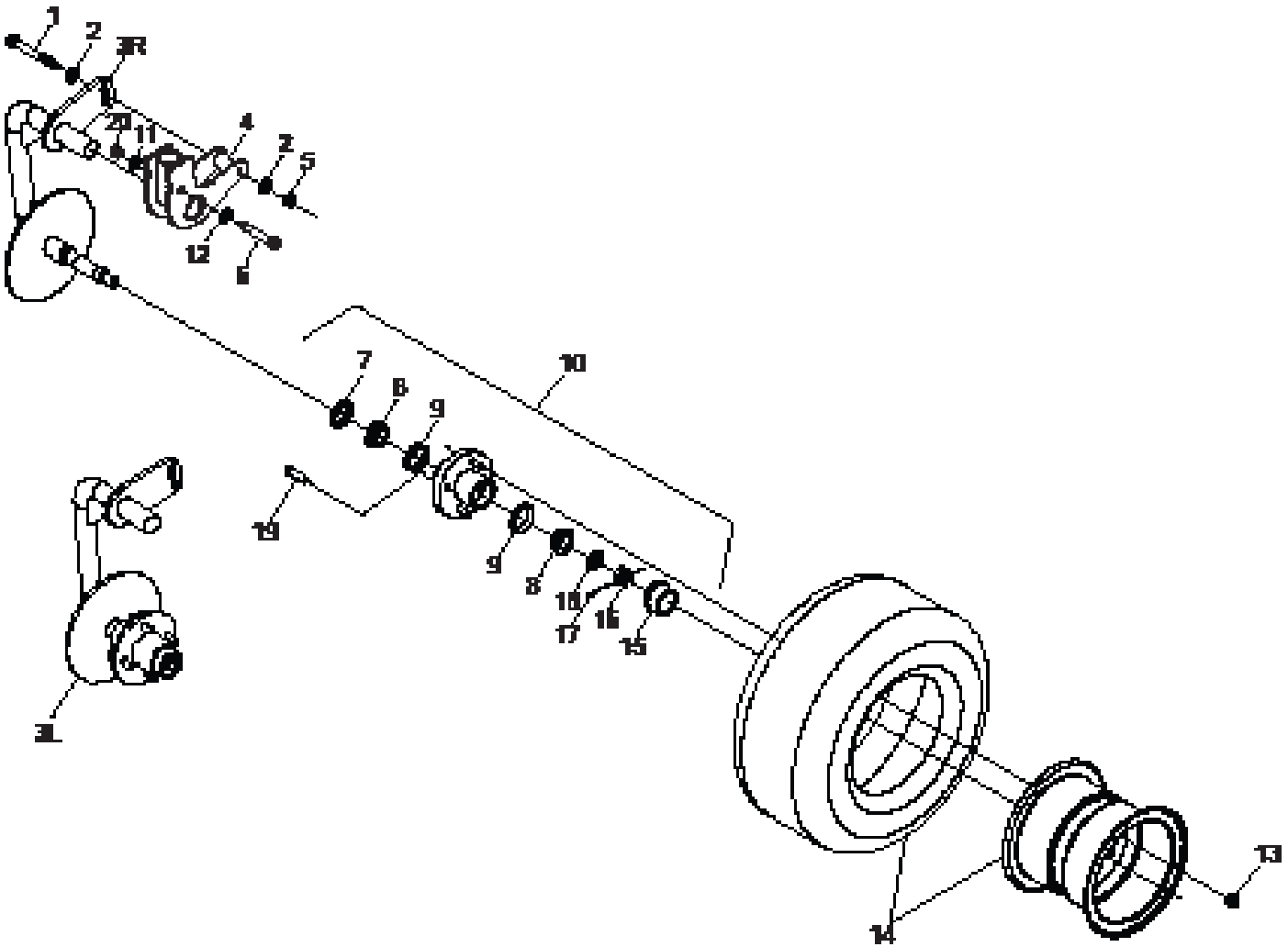
Axle & Wheel S/N -95002



Ref#	Description	Part#	Qty
1	Bolt, 1/2 x 4	000490	1
2	SAE Washer, 1/2	001061	2
3R	Spindle Assembly, Right	702825	1
3L	Spindle Assembly, Left	702824	1
4	Spindle Bracket	702729	1
5	Nylon Locknut, 1/2	000950	1
6	Spirol Roll Pin	702019	1
7	Grease Seal	500201	1
8	Bearing, L44643	500202	2
9	Race, L44610	500204	2
10	Complete Hub	500199	1
11R	Right Spindle and Hub Assembly	702913	1
11L	Left Spindle and Hub Assembly	702912	1

Ref#	Description	Part#	Qty
12	Drive-In Stud	508505	4
13	Lug Bolt (for threaded hub)	500210	4
	Lug Nut (for drive in stud)	508506	
14	Tire and Wheel	500220	1
15	Dust Cap	500209	1
16	Spindle Nut	500207	1
17	Cotter Pin	500208	1
18	Spindle Washer	500206	1

Axle & Wheel S/N 95002+

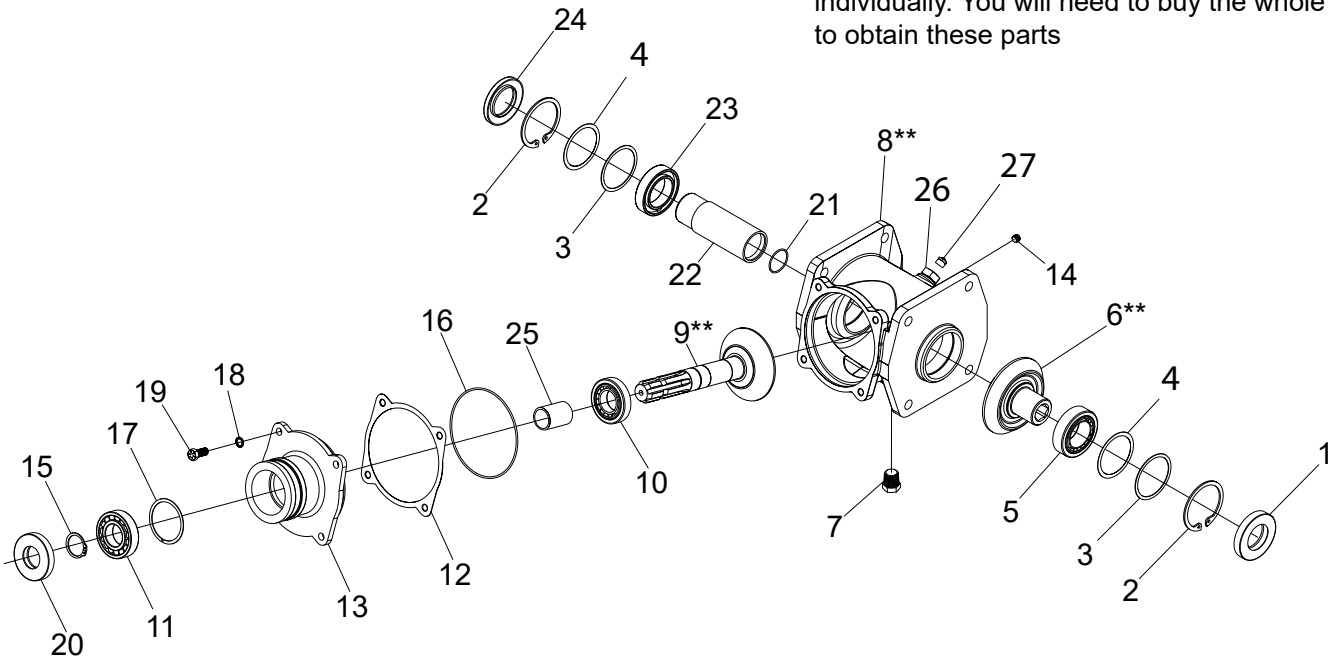


Ref#	Description	Part#	Qty
1	Bolt, 1/2 x 4	000490	1
2	SAE Washer, 1/2	001061	2
3R	Spindle Assembly, Right	702825	1
3L	Spindle Assembly, Left	702824	1
4	Spindle Bracket	703763	1
5	Nylon Locknut, 1/2	000950	1
6	3/8" x 2-1/2" x 5/16" Shoulder Bolt	703772	1
7	Grease Seal	500201	1
8	Bearing, L44643	500202	2
9	Race, L44610	500204	2
10	Complete Hub	500199	1
11	Tire	500221	1

Ref#	Description	Part#	Qty
12	Rim	500222	1
13	Lug Bolt (for threaded hub)	500210	4
	Lug Nut (for drive in stud)	508506	
14	Tire and Wheel	500220	1
15	Dust Cap	500209	1
16	Spindle Nut	500207	1
17	Cotter Pin	500208	1
18	Spindle Washer	500206	1
19	Drive-In Stud	508505	4
20R	Right Spindle and Hub Assembly	702913	1
20L	Left Spindle and Hub Assembly	702912	1
21	1/2" Split Lock Washer	000840	1

Input Gearbox Assembly

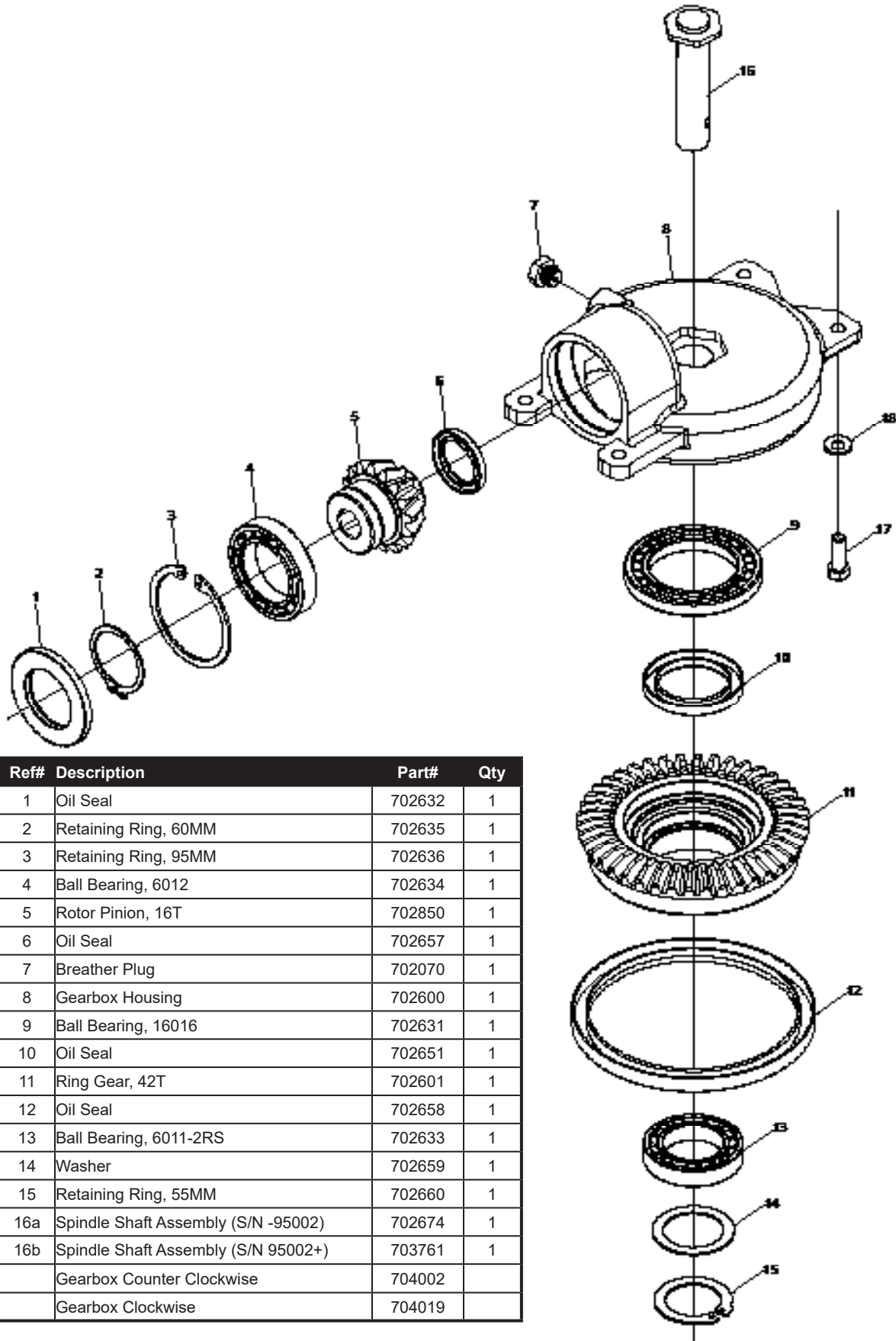
Part numbers with ** are not available to purchase individually. You will need to buy the whole gearbox to obtain these parts



Ref#	Description	Part#
1	Oil Seal,- 45Mm X 80Mm X 13Mm	702655
2	Int. Retaining Ring, 80Mm, Din 472-080	702643
3	Input Gear 20 Gauge Shim	702661-36
4	Center Gear Shim 0.003" Thick	702661-003
5	33109 Taper Bearing Set	702841
6	20T High Speed Center Gear,-(Hex Drive)	703573
7	X100 Series Plug	703115
8	Center Gearbox 17X20 Housing	703560
9	17T High Speed Pinion	703572
10	30207 Tapered Roller Bearing	703564
11	6207 Open Ball Bearing	702644
12a	Input Shaft Housing 0.030" Shim	702645-030
12b	Input Shaft Housing 0.036" Shim	702645-036
12c	Input Shaft Housing 0.024" Shim	702645-024

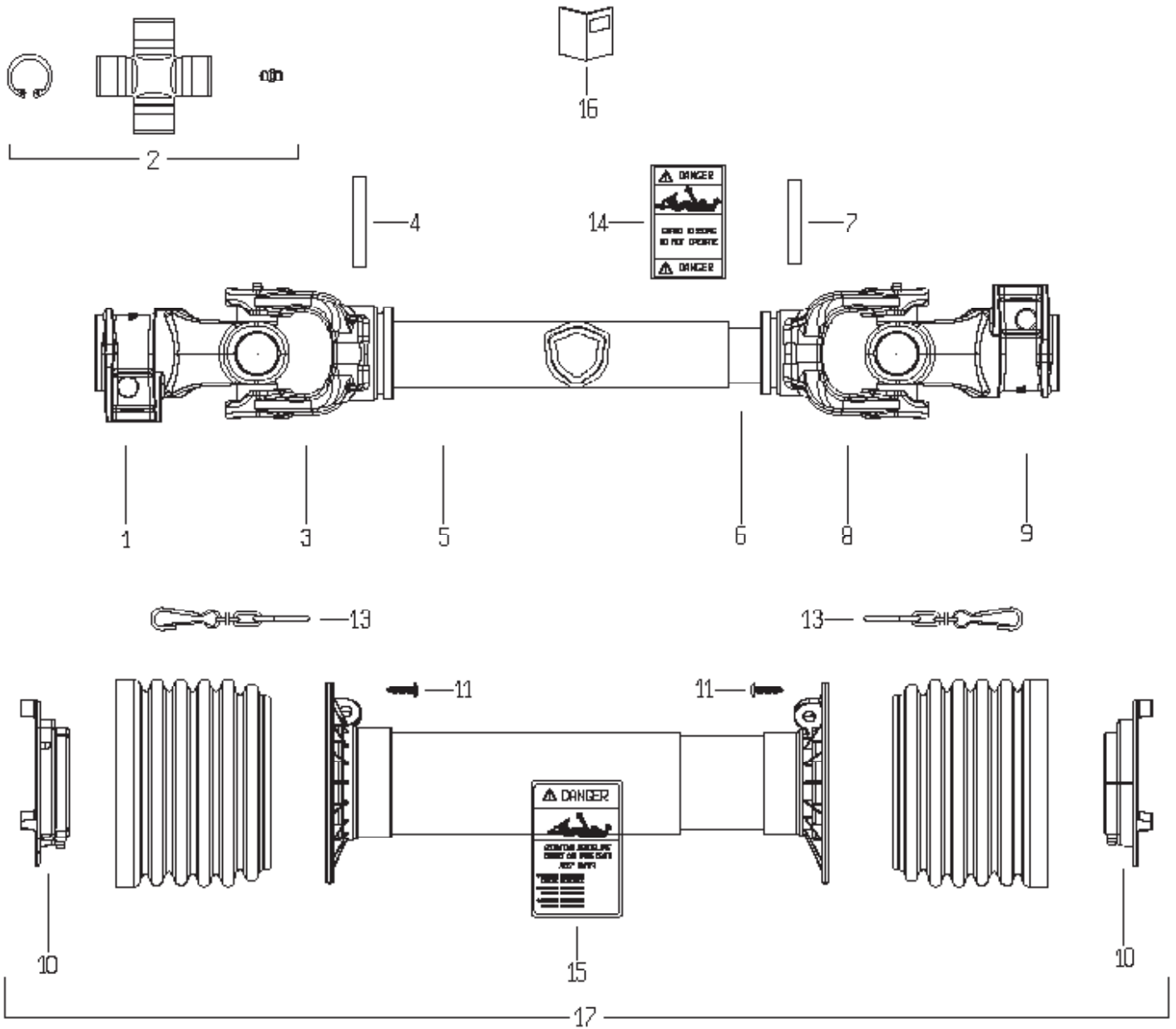
Ref#	Description	Part#
13	Input Shaft Housing For Tapered Roller Bearing	703563
14	1/8 NPT Pipe Plug	502298
15	Ext. Retaining Ring, 35Mm	702648
16	Input Cap O-Ring	703659
17	Wave Spring	703825
18	7/16 Serrated Safety Washer, 0130155	702663
19	7/16-20 X 1 Hex Head Bolt Gr. 8	000349
20	Oil Seal,- 35Mm X 72Mm X 12Mm	702656
21	O-Ring	702646
22	Input Gear Spacer For 17X20 Gearbox	703570
23	6010 Open Ball Bearing	702638
24	Oil Seal,- 50Mm X 80Mm X 8Mm	702654
25	Pinion Bearing Sacer	703885
26	Pipe Adaptor 5406-08-02	705088
27	Alemite 47200 Pressure Relief Fitting	705089
	Complete High Speed Center Gearbox	703621

Rotor Gearbox Assembly



Ref#	Description	Part#	Qty
1	Oil Seal	702632	1
2	Retaining Ring, 60MM	702635	1
3	Retaining Ring, 95MM	702636	1
4	Ball Bearing, 6012	702634	1
5	Rotor Pinion, 16T	702850	1
6	Oil Seal	702657	1
7	Breather Plug	702070	1
8	Gearbox Housing	702600	1
9	Ball Bearing, 16016	702631	1
10	Oil Seal	702651	1
11	Ring Gear, 42T	702601	1
12	Oil Seal	702658	1
13	Ball Bearing, 6011-2RS	702633	1
14	Washer	702659	1
15	Retaining Ring, 55MM	702660	1
16a	Spindle Shaft Assembly (S/N -95002)	702674	1
16b	Spindle Shaft Assembly (S/N 95002+)	703761	1
	Gearbox Counter Clockwise	704002	
	Gearbox Clockwise	704019	

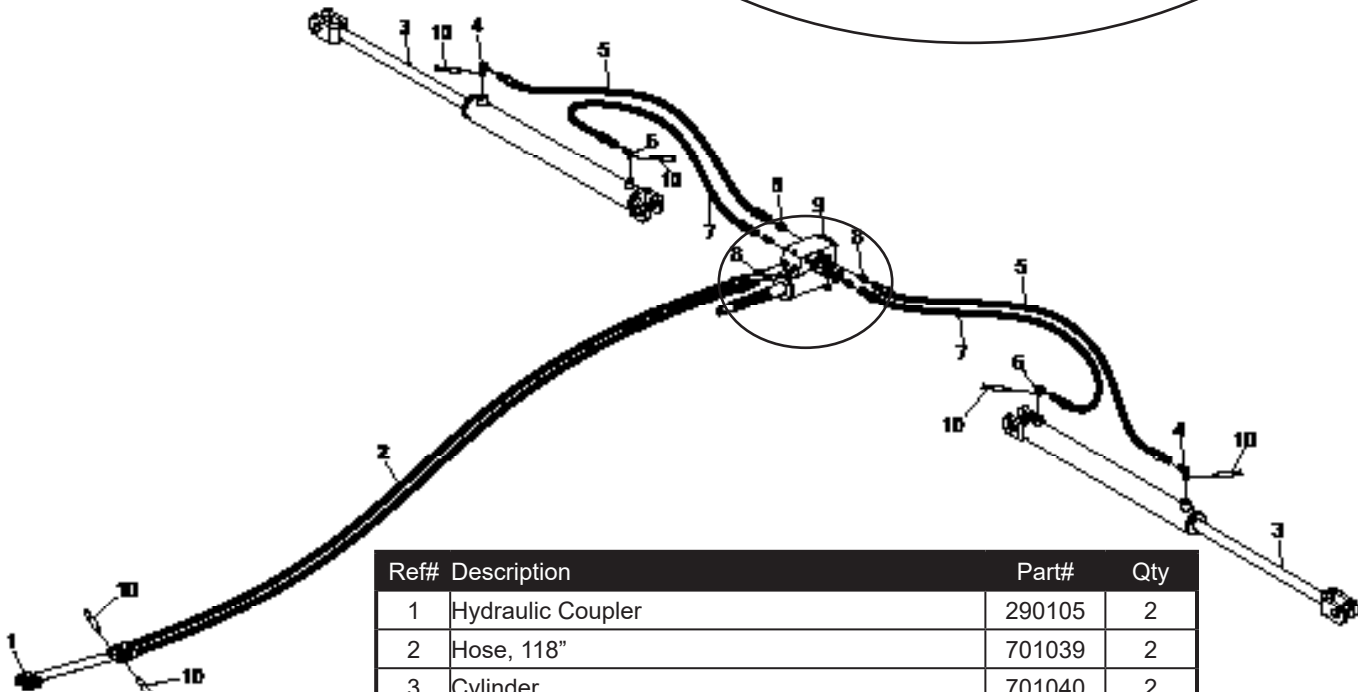
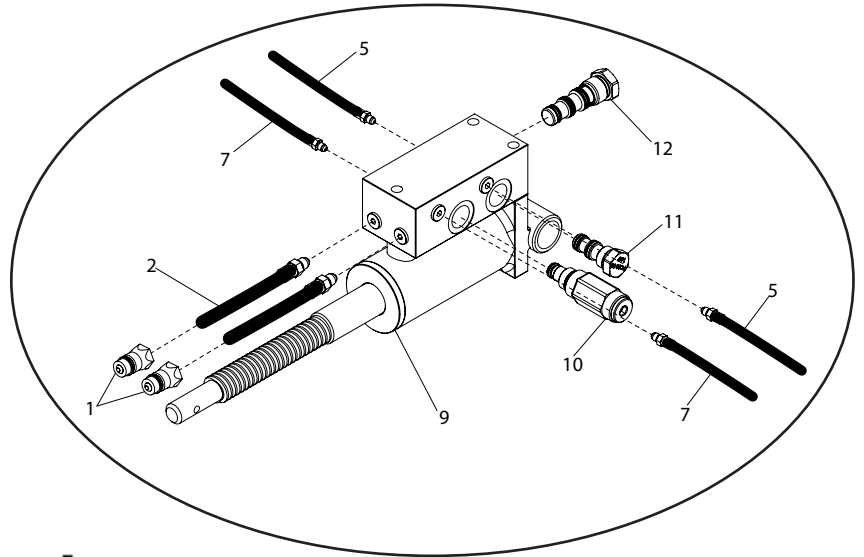
PTO Shaft



Ref#	Description	Part#
1	Yoke #4/S4 1-3/8"Z6 Shrouded Pin (007)	500427
2	Cross Kit S4-G4 27X74.6 Cap Zerk	500428
3	Tube Yoke #4-G4 Outer (43.5)	500429
4	Flexible Roll Pin 8X60 Din1481	500430
5	Cardan Tube Outer 12508 L=1270	500431
6	Cardan Tube Inner 12507 L=1270	500432
7	Flexible Roll Pin 8X55 Din1481	500433
8	Tube Yoke #4-G4 Inner (36.0)	500434
9	Ratchet Clutch Assembly	500435

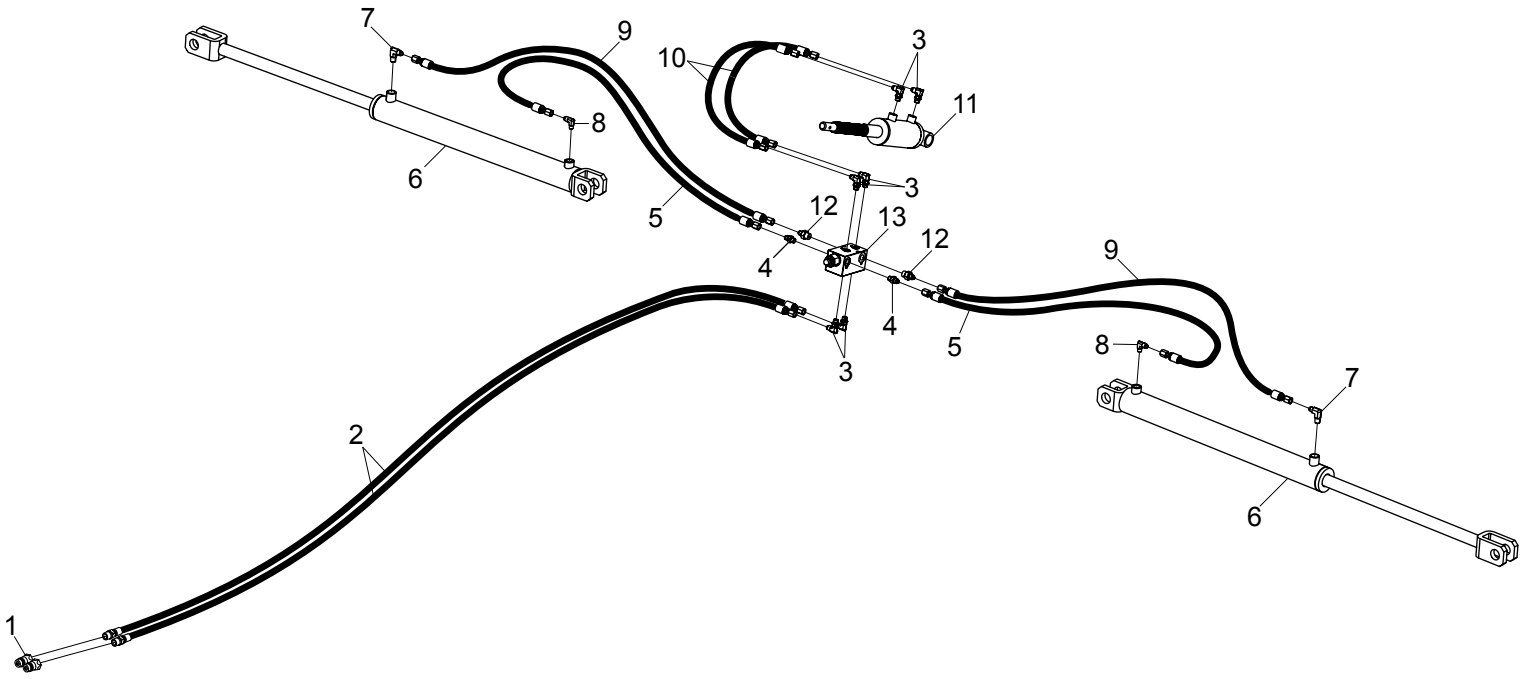
Ref#	Description	Part#
10	Shield Support Outer G3-G4	500436
11	Screw 4.8X22 Self Tap Zinc	500417
12	Shield Support Inner G3-G4	500437
13	Shield Chain W/S-Hook L=500Mm	500420
14	Label - Danger - Outer Drive Tube	500421
15	Label - Danger - Outer Shield Tube	500422
16	Instruction Booklet	500423
17	Complete Shield Kit	701080
18	Complete PTO Shaft	703596
20	CV Driveline Upgrade for HT4102/HT66X	703596

Hydraulics -94344



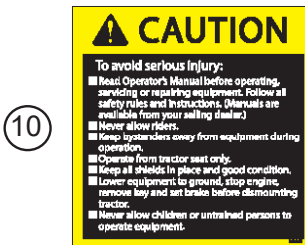
Ref#	Description	Part#	Qty
1	Hydraulic Coupler	290105	2
2	Hose, 118"	701039	2
3	Cylinder	701040	2
4	Elbow Fitting	101916	2
5	Hose, Rod End	702844	2
6	Elbow Fitting	702459	2
7	Hose, Base End	701038	2
8	Straight Fitting	290195	6
9	Tilt Cylinder	701033	1
10	Relief Valve Cartridge Direct Acting Poppet Type	703881	1
11	Pilot Operated Check Valve	703883	1
12	Flow Divider/ Combiner Valve	507457	1

Hydraulics 94344+



Ref#	Description	Part#	Qty
1	Hydraulic Coupler	290105	2
2	Hose, 118"	701039	2
3	90 Degree Fitting, #4 MJ x #4 MB	700948	6
4	Straight Fitting	290195	2
5	Hose, 41"	701038	2
6	Cylinder	701040	2
7	Elbow Fitting	101916	2
8	Elbow Fitting	702459	2
9	Hose, 50-1/2"	702844	2
10	Hose, 15-1/2"	703379	2
11	Front Tilt Cylinder, No Manifold	703604	1
12	#4MJ x #6MB Straight Fitting	703620	2
13	4100 Manifold	703619	1

Decals



Ref#	Description	Part#	Qty
1	TT4101 Decal	703707	2
2	TurboTedder Decal	702196	2
3	Warning, Speed	903124	1
4	Warning, Thrown Objects	903106	2
5	Warning, Prevent Entanglement	903123	2
6	Warning, Hydraulic Pressure	903114	1
7	Warning, Crushing Hazard	903134	1
8	Amber Retroreflective Decal	903121	1
9	Red Retroreflective Decal	903112	2
10	Caution, General Information	903103	1
11	Caution, 540 PTO	903107	1
	Complete Decal Kit, TT4100	702864	1