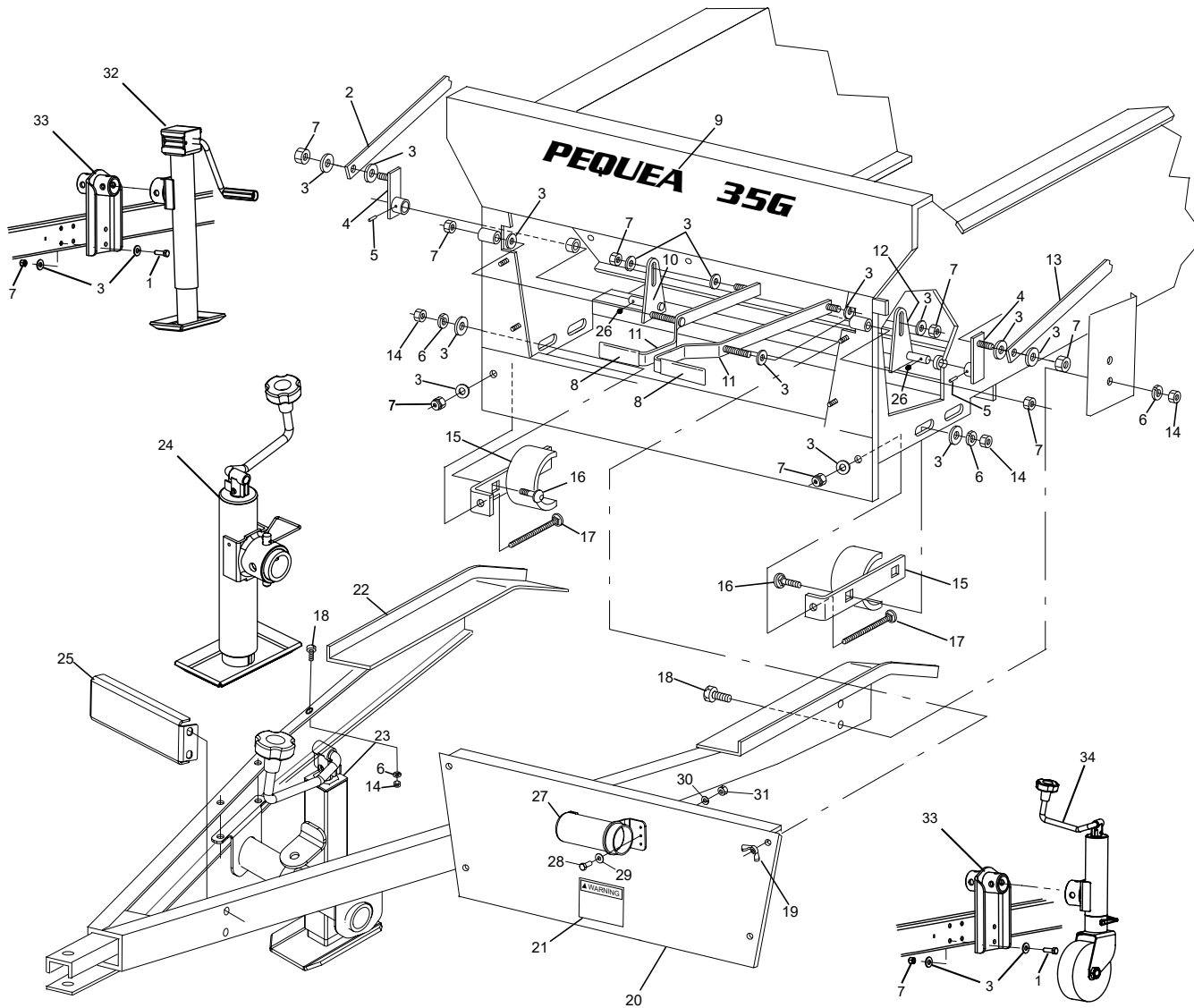
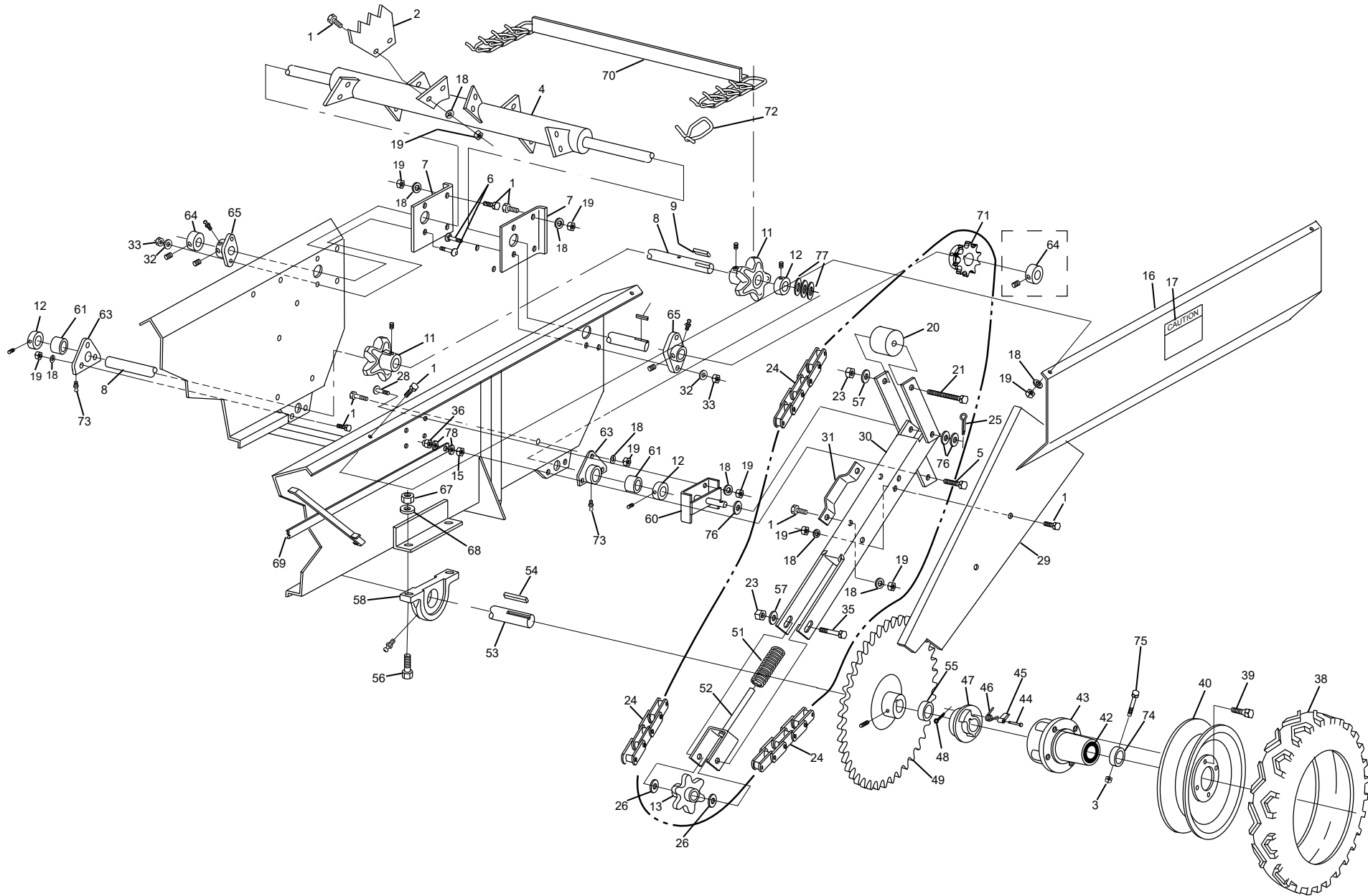


# 35G Manure Spreader - Front



| Reff# | Part#  | Description                         |
|-------|--------|-------------------------------------|
| 1     | 000275 | Bolt, 3/8 x 1-1/4                   |
| 2     | 401835 | 35G Push Arm Control Arm Short      |
| 3     | 001035 | USS Flat Washer, 3/8                |
| 4     | 401278 | Engaging Linkage Assembly           |
| 5     | 000563 | 3/16" X 1-1/4 Roll Pin Plain Finish |
| 6     | 000820 | Lock Washer, 3/8                    |
| 7     | 003000 | Locknut, 3/8                        |
| 8     | 401289 | Handle Grip                         |
| 9     | 401838 | Model 35G Decal                     |
| 10    | 401277 | Lever Pivot Assembly, Right         |
| 11    | 401201 | Engaging Lever                      |
| 12    | 401275 | Lever Pivot Assembly, Left          |
| 13    | 401836 | 35G Lifter Arm Control Arm Long     |
| 14    | 000915 | Nut, 3/8                            |
| 15    | 401282 | Front Web Idler Assembly            |
| 16    | 000151 | Carriage Bolt, 3/8 x 1-1/2          |
| 17    | 000132 | Carriage Bolt, 3/8 x 3-1/2          |
| 18    | 000245 | Bolt, 3/8 x 3/4                     |
| 19    | 000905 | Wing Nut, 1/4                       |
| 20    | 401095 | Front Lid                           |
| 21    | 400178 | Warning Decal                       |
| 22    | 401269 | Hitch Assembly                      |
| 23    | 401326 | Jack Assembly S/N -92015            |
| 24    | 401295 | Jack Assembly S/N 92015+            |
| 25    | 401841 | Hitch Brace                         |
| 26    | 400118 | 1/8" Grease Fitting                 |
| 27    | 503050 | Operator's Manuals Canister         |
| 28    | 000175 | 1/4" x 3/4" Hex Head Bolt           |
| 29    | 001020 | 1/4" USS Flat Washer                |
| 30    | 000805 | 1/4" Lock Washer                    |
| 31    | 000900 | 1/4" Hex Nut                        |
| 32    | 903317 | Jack Assembly S/N 99647+            |
| 33    | 401899 | Bolted Jack Bracket 25/35           |
| 34    | 401731 | 25/35G Dolly Wheel Jack Option      |

## 35G Manure Spreader - Left Side



06/11/2024

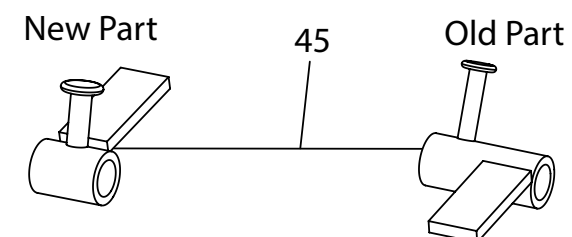
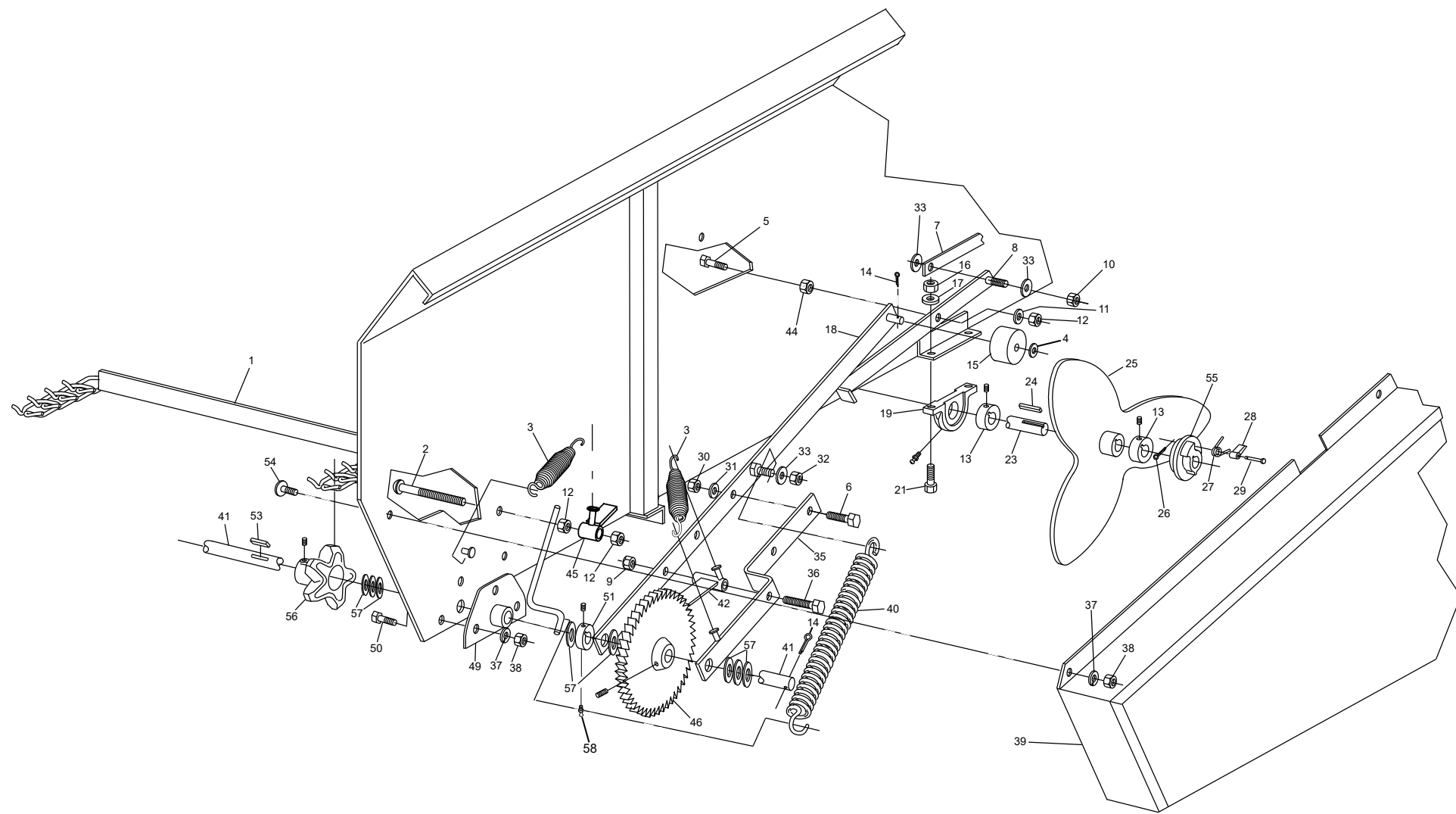
## 35G Manure Spreader - Left Side

| Ref#    | Part#  | Description                             |
|---------|--------|---|
| 1       | 010005 | 5/16-18 X 3/4 Hex Head Bolt, Gr. 5 Zinc |
| 2A      | 401309 | Beater Paddle, Right                    |
| 2B      | 401060 | Beater Paddle, Left                     |
| 3       | 002999 | Locknut, 5/16                           |
| 4       | 401057 | Widespread Shaft Assembly               |
| 5       | 000275 | Bolt, 3/8 x 1-1/4                       |
| 6       | 000360 | Bolt, 7/16 x 1-1/2                      |
| 7       | 401064 | Beater Bearing Bracket                  |
| 8       | 401252 | Web Shaft                               |
| 9       | 401263 | Key, 3/16 x 1-3/4                       |
| 11      | 401266 | Web Sprocket                            |
| 12      | 300053 | Shaft Collar, 7/8                       |
| 13      | 400399 | Idler Sprocket                          |
| 15      | 806075 | Lug Nut, 3/8-16 Standard Weld           |
| 16      | 401206 | Drive Chain Shield                      |
| 17      | 400179 | Caution Decal                           |
| 18      | 000810 | Lock Washer, 5/16                       |
| 19      | 000910 | Nut, 5/16                               |
| 20      | 401232 | Drive Chain Idler                       |
| 21      | 000470 | Bolt, 1/2"-13 x 3"                      |
| 23      | 000752 | 1/2-13 Nylon Jam Nut, Zinc              |
| 24      | 401291 | Drive Chain                             |
| 25      | 001210 | Cotter Pin, 1/8 x 1                     |
| 26      | 401311 | Spacer                                  |
| 28      | 000210 | 5/16 x 3/4 Truss Head Bolt              |
| 29      | 401097 | Lifter Arm Chain Shield                 |
| 30      | 401270 | Lifter Arm Weld Assembly                |
| 31      | 400235 | Guide Bracket                           |
| 32      | 000830 | Lock Washer, 7/16                       |
| 33      | 000935 | Nut, 7/16                               |
| 35      | 000460 | Bolt, 1/2 x 2-1/2                       |
| 36      | 000920 | 3/8" Jam Locknut                        |
| 38      | 401373 | Tire                                    |
| 39      | 401497 | Lug Bolt                                |
| 40      | 401374 | Rim                                     |
| 38 & 40 | 401285 | Rim & Tire Assembly, Left               |

06/11/2024

| Ref#    | Part#  | Description                            |
|---------|--------|--|
| 38 & 40 | 401286 | Rim & Tire Assembly, Right             |
| 42      | 401250 | Hub Bushing                            |
| 43      | 401244 | Hub                                    |
| 44      | 401028 | Clevis Pin                             |
| 45A     | 401327 | Hub Dawg, Left                         |
| 45B     | 401009 | Hub Dawg, Right                        |
| 46A     | 401034 | Dawg Spring, Left                      |
| 46B     | 401027 | Dawg Spring, Right                     |
| 47      | 401246 | Backing Hub                            |
| 48      | 100329 | Cotter Pin, 5/32 x 1                   |
| 49      | 401185 | Drive Sprocket                         |
| 51      | 401287 | Tightener Spring                       |
| 52      | 401214 | Tightener Sprocket Bracket             |
| 53      | 401193 | Axle Shaft                             |
| 54      | 400115 | Key, 1/4 x 1-1/4                       |
| 55      | 401476 | Shaft Collar, 1-1/4                    |
| 56      | 000615 | Bolt, 5/8 x 2                          |
| 57      | 001061 | SAE Flatwasher, 1/2                    |
| 58      | 401293 | Axle Bearing                           |
| 60      | 401217 | Lifter Arm Pivot Assembly              |
| 61      | 401219 | Web Bushing                            |
| 63      | 401220 | Bearing, Web Bearing Asm. 25-35G       |
| 64      | 400143 | Shaft Collar, 1"                       |
| 65      | 401294 | Flange Bearing, 1"                     |
| 67      | 000970 | Nut, 5/8                               |
| 68      | 000860 | Lock Washer, 5/8                       |
| 69      | 401836 | 35G Lifter Arm Control Arm Long        |
| 70      | 401279 | Web Slat                               |
| 71      | 401290 | Widespread Sprocket                    |
| 72      | 401184 | T-Rod Link                             |
| 73      | 400118 | Grease Fitting, 1/8-NPT Zert           |
| 74      | 401885 | Housing, Bolt On Shaft Collar          |
| 75      | 000118 | 5/16"-18 X 2-1/2 Head Bolt, Gr. 5 Zinc |
| 76      | 401442 | 5/8 X 1 Machinery Bushing, 14Ga.       |
| 77      | 000875 | 7/8 X 1-3/8 Machinery Bushing, 14Ga.   |
| 78      | 001035 | 3/8 USS Flat Washer, Zinc              |

### 35G Manure Spreader - Right Side



06/11/2024

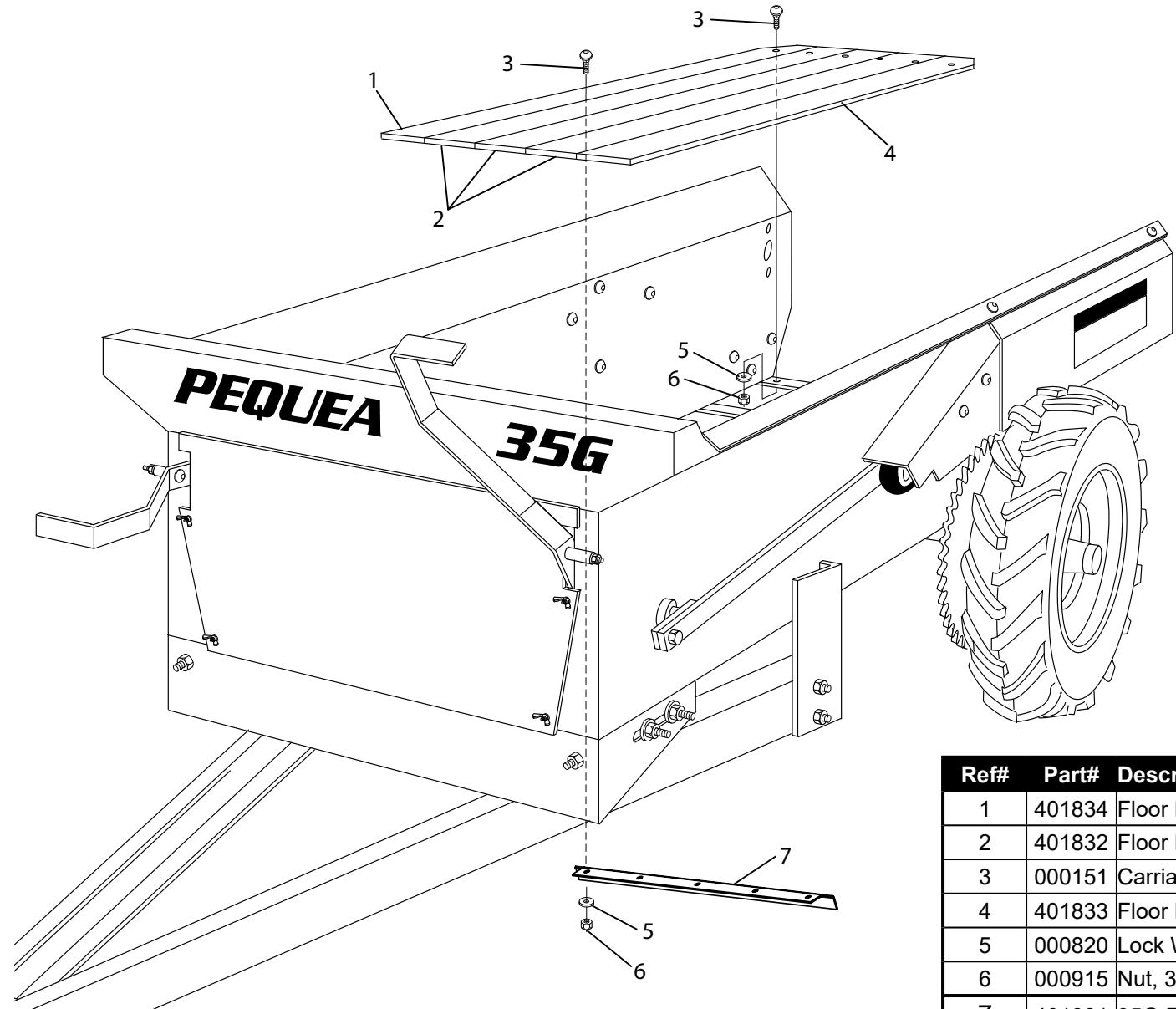
### 35G Manure Spreader - Right Side

| Ref# | Part#  | Description                      |
|------|--------|----------------------------------|
| 1    | 401279 | Web Slat                         |
| 2    | 000476 | 1/2 x 3 All Thread Bolt          |
| 3    | 400116 | Dawg Spring                      |
| 4    | 401442 | 5/8 X 1 Machinery Bushing, 14Ga. |
| 5    | 000435 | Bolt, 1/2 x 1-1/2                |
| 6    | 000275 | Bolt, 3/8 x 1-1/4                |
| 7    | 401210 | Push Arm Control Arm             |
| 8    | 401280 | Push Arm Engaging Arm            |
| 9    | 000950 | 1/2"-13 Nylon Locknut, Zinc      |
| 10   | 000920 | Jam Locknut, 3/8                 |
| 11   | 001061 | SAE Flatwasher, 1/2              |
| 12   | 000752 | Nylon Jam Nut, 1/2               |
| 14   | 400145 | 3/16" x 1-1/4" Cotter Pin, Zinc  |
| 15   | 401299 | Cam Roller                       |
| 16   | 000970 | Nut, 5/8                         |
| 17   | 000860 | Lock Washer, 5/8                 |
| 18   | 401297 | Push Arm Weld Assembly           |
| 19   | 401293 | Axle Bearing                     |
| 21   | 000615 | Bolt, 5/8 x 2                    |
| 23   | 401193 | Axle Shaft                       |
| 24   | 400115 | Key, 1/4 x 1-1/4                 |
| 25   | 401259 | Star Hub                         |
| 26   | 100329 | Cotter Pin, 5/32 x 1             |
| 27A  | 401034 | Hub Dawg Spring, Left            |
| 27B  | 401027 | Hub Dawg Spring, Right           |
| 28A  | 401327 | Hub Dawg, Left                   |

06/11/2024

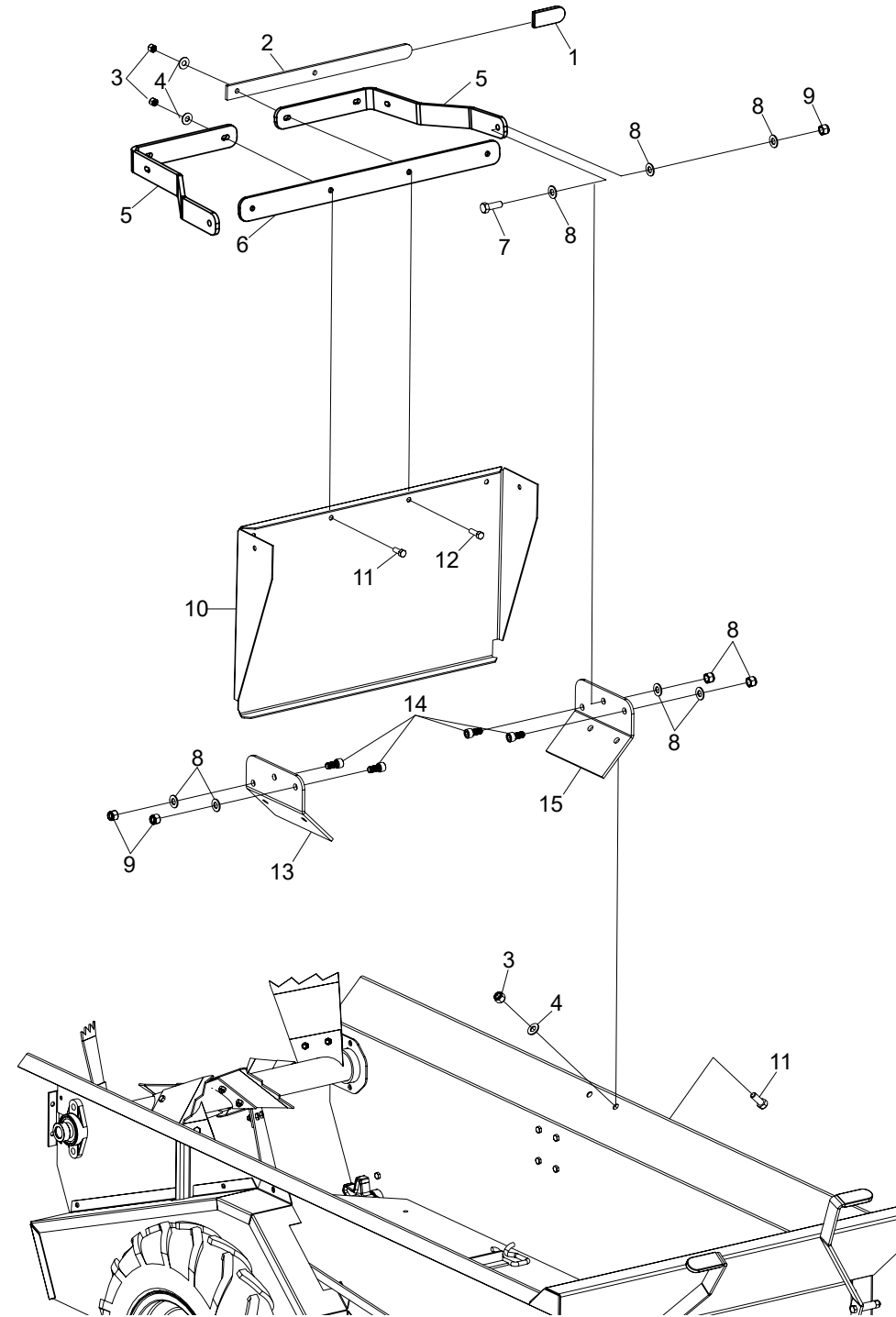
| Ref# | Part#  | Description                             |
|------|--------|---|
| 30   | 000915 | Nut, 3/8                                |
| 31   | 000820 | Lock Washer, 3/8                        |
| 32   | 003000 | Locknut, 3/8                            |
| 33   | 001035 | USS Flatwasher, 3/8                     |
| 35   | 401300 | Ratchet Arm Assembly                    |
| 36   | 000470 | Bolt, 1/2 x 3                           |
| 37   | 000810 | Lock Washer, 5/16                       |
| 38   | 000910 | Nut, 5/16                               |
| 39   | 401240 | Push Arm Shield Assembly                |
| 40   | 400404 | Spring, Push Arm Spring                 |
| 41   | 401252 | Web Shaft                               |
| 42   | 401255 | Ratchet Dawg Assembly                   |
| 44   | 000940 | 1/2" Hex Nut                            |
| 45   | 401271 | Idler Dawg Assembly                     |
| 45*  | 401891 | Idler Dawg Assembly (Optional)          |
| 46   | 401260 | Ratchet Wheel Assembly                  |
| 49   | 401220 | Web Bearing                             |
| 50   | 010005 | 5/16-18 X 3/4 Hex Head Bolt, Gr. 5 Zinc |
| 51   | 300053 | Shaft Collar, 7/8                       |
| 53   | 401263 | Key, 3/16 x 1-3/4                       |
| 54   | 000210 | 5/16 x 3/4 Truss Head Bolt              |
| 55   | 401246 | Backing Hub                             |
| 56   | 401266 | Web Sprocket                            |
| 57   | 000875 | 7/8 X 1-3/8 Machinery Bushing, 14Ga.    |
| 58   | 400118 | Grease Fitting, 1/8-NPT Zert            |

### 35G Manure Spreader - Floor



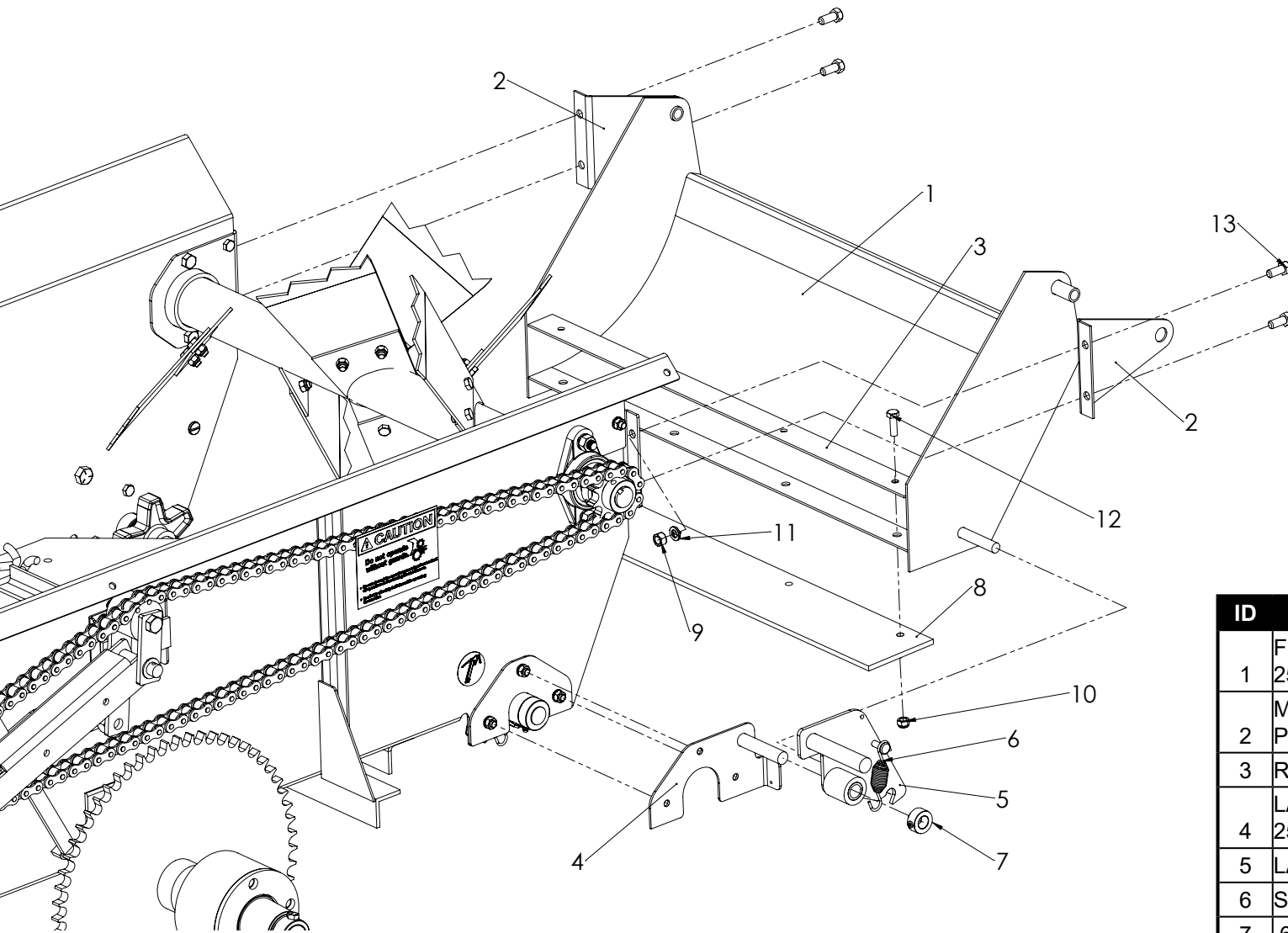
| Ref# | Part#  | Description                        |
|------|--------|------------------------------------|
| 1    | 401834 | Floor Board, Right                 |
| 2    | 401832 | Floor Board, Main                  |
| 3    | 000151 | Carriage Bolt, 3/8 x 1-1/2         |
| 4    | 401833 | Floor Board, Left                  |
| 5    | 000820 | Lock Washer, 3/8                   |
| 6    | 000915 | Nut, 3/8                           |
| 7    | 401881 | 35G Floating Floor Hold Down Plate |

### 25/35G Endgate Option



| ID | Description                 | Part#  | Qty |
|----|-----------------------------|--------|-----|
| 1  | Rubber Handle Cover         | 401289 | 1   |
| 2  | Engate Handle               | 401157 | 1   |
| 3  | 3/8" Nylon Lock Nut         | 003000 | 6   |
| 4  | 3/8" Flat Washer            | 001035 | 6   |
| 5  | 25/35G Endgate Arm          | 401853 | 2   |
| 6  | 25/35G Endgate Support      | 401854 | 1   |
| 7  | 1/2" x 1-1/2" Hex Head Bolt | 000435 | 2   |
| 8  | 1/2" Flat Washer            | 001061 | 12  |
| 9  | 1/2" Nylon Lock Nut         | 000950 | 10  |
| 10 | Endgate Panel               | 401154 | 1   |
| 11 | 3/8" x 1" Hex Head Bolt     | 000270 | 4   |
| 12 | 3/8" x 1-1/4" Hex Head Bolt | 000275 | 2   |
| 13 | Endgate Bracket, Right      | 401156 | 1   |
| 14 | 1/2" x 1" Socket Head Bolt  | 000404 | 4   |
| 15 | Endgate Bracket, Left       | 401152 | 1   |

## 25/35G Fine Spread Pan Option



| ID | Description                           | Part#  |
|----|---------------------------------------|--------|
| 1  | FINE SPREAD PAN WELD ASM,-<br>25G/35G | 401356 |
| 2  | Mounting Bracket, Finespread<br>Pan   | 401330 |
| 3  | Rubber Holder, Finespread Pan         | 401345 |
| 4  | LATCH MOUNT ASSEMBLY,-<br>25G/35G PAN | 401359 |
| 5  | LATCH ASSEMBLY,- 25G PAN              | 401358 |
| 6  | Spring, Extension Spring Swivel       | 400116 |
| 7  | .625 Plated Shaft Collar              | 400856 |
| 8  | Rubber, 25/35 Fine Spread Pan         | 401353 |
| 9  | 3/8-16 Hex Nut, Gr.5 Zinc             | 000915 |
| 10 | 5/16-18 Nylon Lock Nut, Zinc          | 002999 |
| 11 | 3/8" Split Lock Washer                | 000820 |
| 12 | 5/16-18 x 1 HHB Gr. 5                 | 000221 |
| 13 | 3/8-16 x 7/8 HHB Gr. 5                | 000250 |