

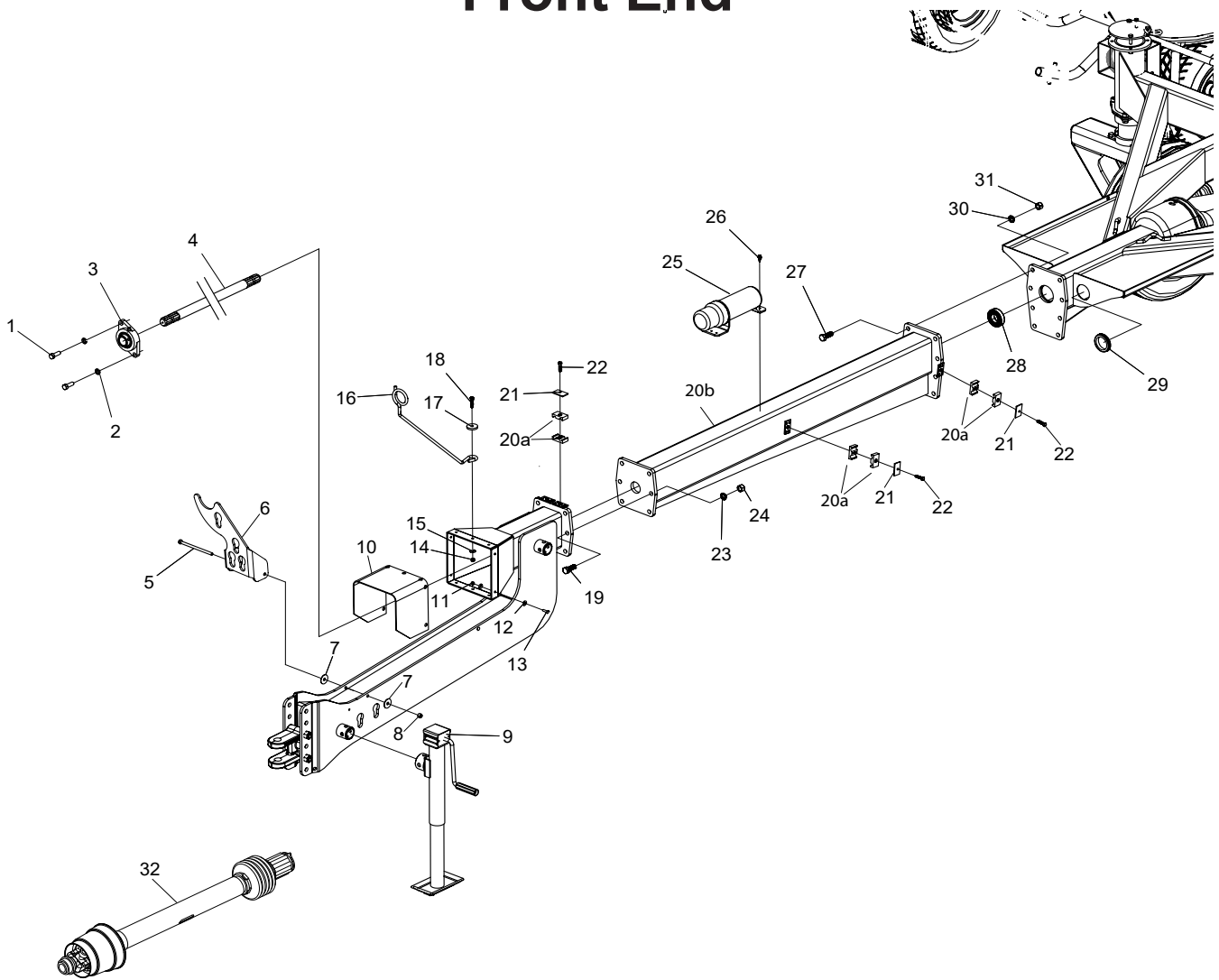


# HT8101 Rotary Tedder

## Illustrated Parts Breakdown

Page 2	Front End
Page 3	Transport Axle Assembly, S/N 97106
Page 4	Transport Axle Assembly, S/N 97107+
Page 5	Guards
Page 6	Transport Lock Assembly - S/N 97107
Page 7	Transport Lock Assembly - S/N 97107+
Page 8	Lift Frame Assembly
Page 9	Center Tunnel Assembly
Page 10	Middle Wings Assembly
Page 11	Cylinder Linkage Assembly
Page 12	Outer Wing
Page 13	Rotor and Tine Arm
Page 14	Axle Assembly - S/N -95000
Page 15	Axle Assembly - S/N 95000+
Page 16	Input Gearbox Assembly
Page 17	Rotor Gearbox (Overview)
Page 18	Rotor Gearbox Assembly (704220, 704222)
Page 19	Rotor Gearbox Assembly (704019, 704002)
Page 20	Rear PTO Shaft Assembly
Page 21	Hydraulics
Page 22	Manifold Block

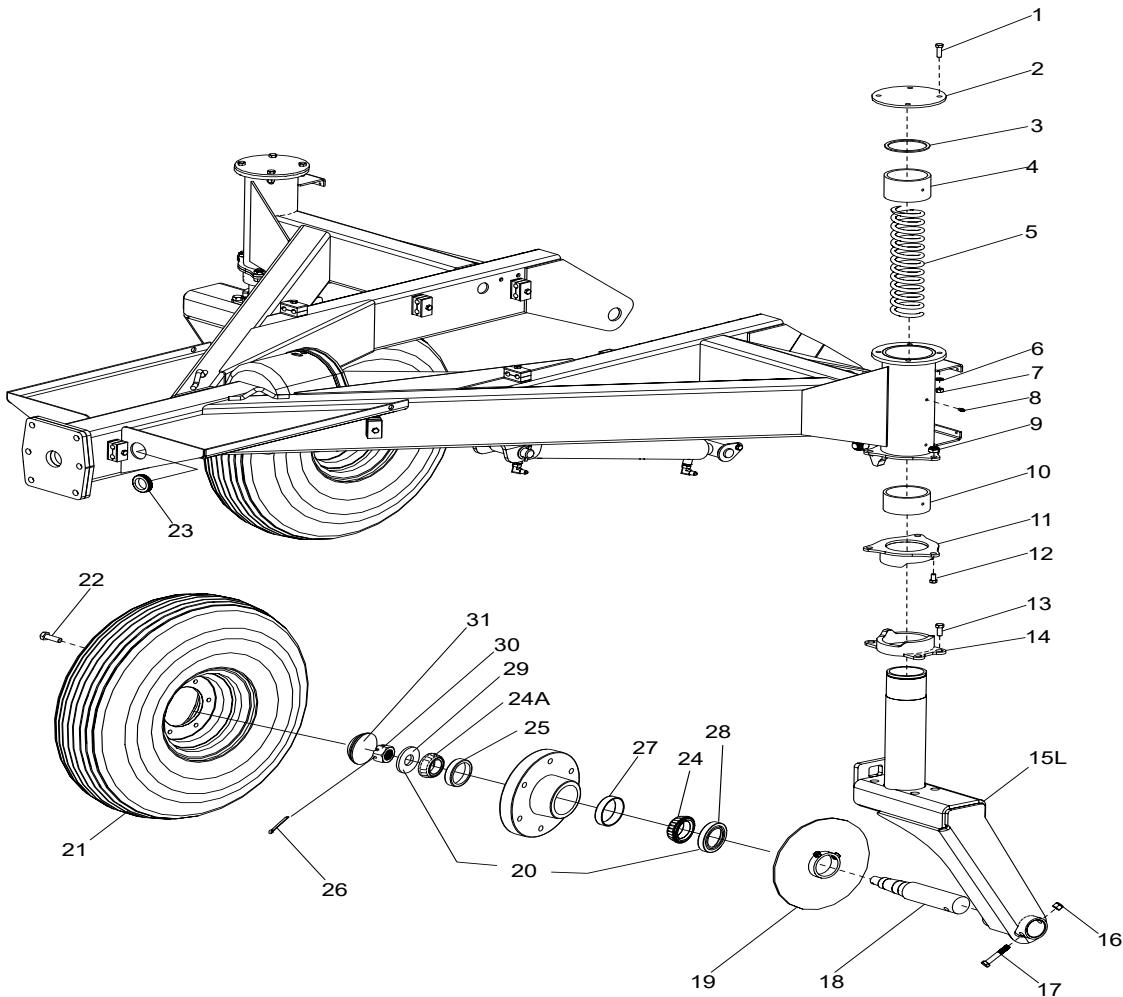
# Front End



Ref#	Description	Part#
1	1/2 x 1-1/2 Hex Bolt	000435
2	1/2" Lock Washer	000840
3	1-3/8" 2 Bolt Flange Bearing	505568
4	Drive Shaft	703271
5	3/8" x 6" Hex Bolt	000338
6	PTO Stand	703392
7	3/8" Fender Washer	001105
8	3/8" Nylon Lock Nut	003000
9	2K Side Wind Jack	903317
10	Front PTO Shield	702333
11	1/4" Nylon Lock Nut	003001
12	1/4" Flat Washer	001020
13	1/4" x 3/4" Hex Bolt	000175
14	5/16" Nylon Lock Nut	002999
15	5/16" Flat Washer	001030
16	Hose Support	502288

Ref#	Description	Part#
17	Hose Support Washer	502308
18	5/16" x 1-1/2" Hex Bolt	000225
19	5/8 x 1-3/4" Hex Bolt	000625
20a	1/4" hose blocks (2 halves)	510632
20b	3/8" hose blocks (2 halves)	507300
21	Hose Clamp Top Plate	510630
22	5/16" x 1-1/2" Hex Bolt with Threadlock	000225
23	5/8" Lock Washer	000860
24	5/8" Hex Nut	000970
25	Operator's Manual Canister	503050
26	1/4" x 3/4" Self Drill Screw	000115
27	5/8" x 1-3/4" Hex Bolt	000625
28	6207-2RS Deep Groove Ball Bearing	703532
29	2-1/2" Grommet	510621
30	5/8" Lock Washer	000860
31	5/8" Hex Nut	000970
32	Front PTO Shaft, Complete	703397

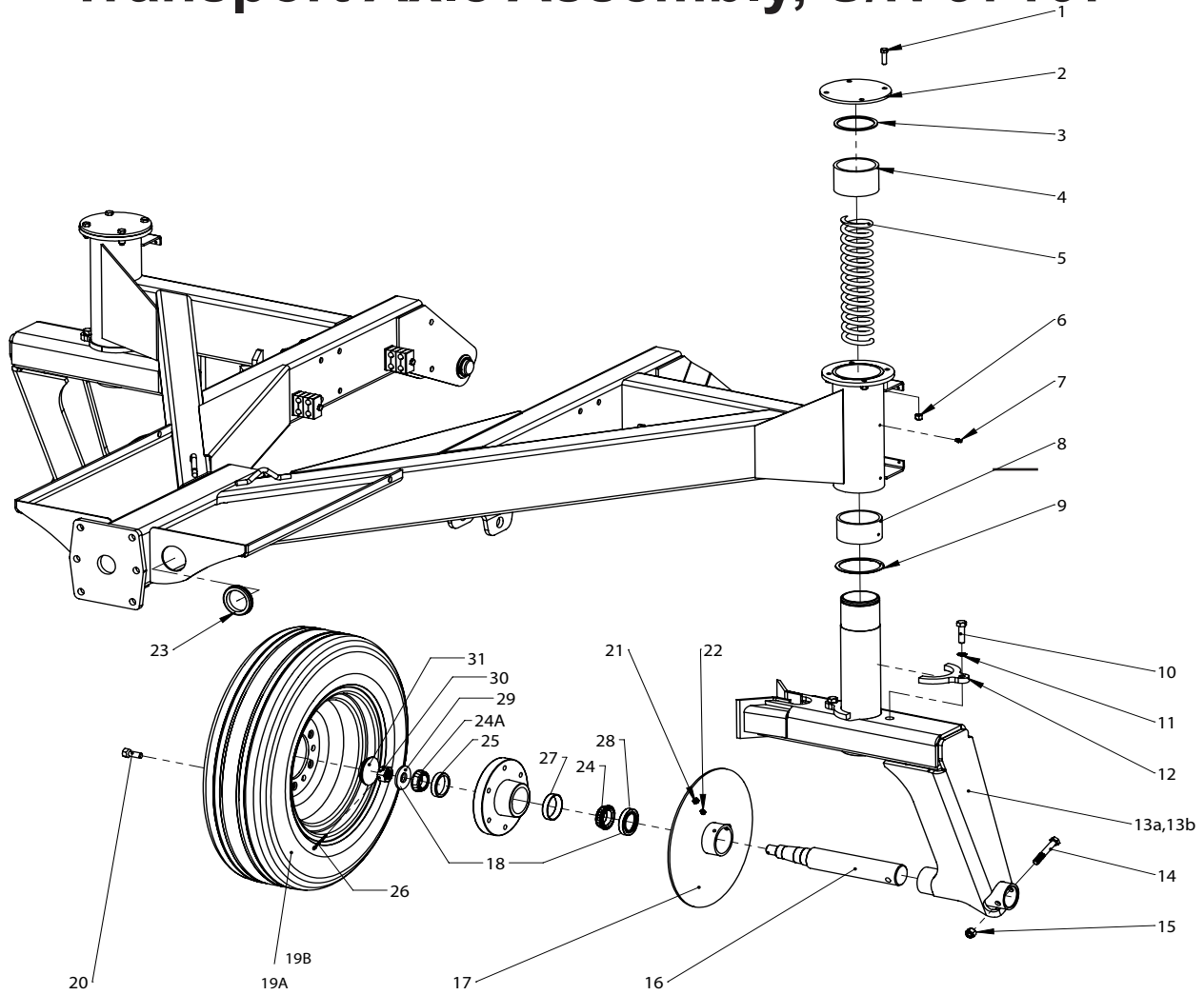
# Transport Axle Assembly, S/N xxxxx-97106



Ref#	Description	Part#	Qty
1	Bolt, 3/8"-16 x 1"	000270	4
2	Spring Cap	702412	1
3	3-1/2" Ext. Spiral Retaining Ring	702409	1
4	Top Bronze Bushing	702339	1
5	Compression Spring	702370	1
6	3/8" Split Lock Washer	000820	3
7	3/8-16 Hex Nut	000915	3
8	1/4"-28 Spin Drive Fitting	400117	2
9	1/2"-13 Nylon Jam Nut	000752	3
10	Bottom Bronze Brushing	702340	1
11	Top Locking Pipe Assembly	703134	1
12	Bolt, 1/2"-13 x 1"	000405	3
13	Bolt, 1/2"-13 x 1-1/4"	000420	4
14	Bottom Locking Pipe Assembly	703142	1
15L	Left Dolly Frame	703548	1
15R	Right Dolly Frame	703539	1
16	1/2" Nylon Locknut	000950	1

Ref#	Description	Part#	Qty
17	Bolt, 1/2" x 3"	000470	1
18	2" x 14" G888 Spindle w/ Crosshole	703550	1
19	Hay Wrap Guard	703574	1
20	G888 Hub Complete	300122	1
21	Airplane Style Tire and Wheel	703557	1
22	1/2" Lug Bolt	300037	6
23	2-1/2" Grommet	510621	1
24	Inner Bearing	300031	1
24A	Outer Bearing	300035	1
25	Outer Race	300034	1
26	5/32 x 1-3/4 Cotter Pin	300282	1
27	Inner Race	300032	1
28	G888 Grease Seal	300030	1
29	SPINDLE WASHER, 7/8	300283	1
30	Castle Nut 7/8"	300281	1
31	Dust Cap, - 888 & 783 Hub	300036	1

# Transport Axle Assembly, S/N 97107+

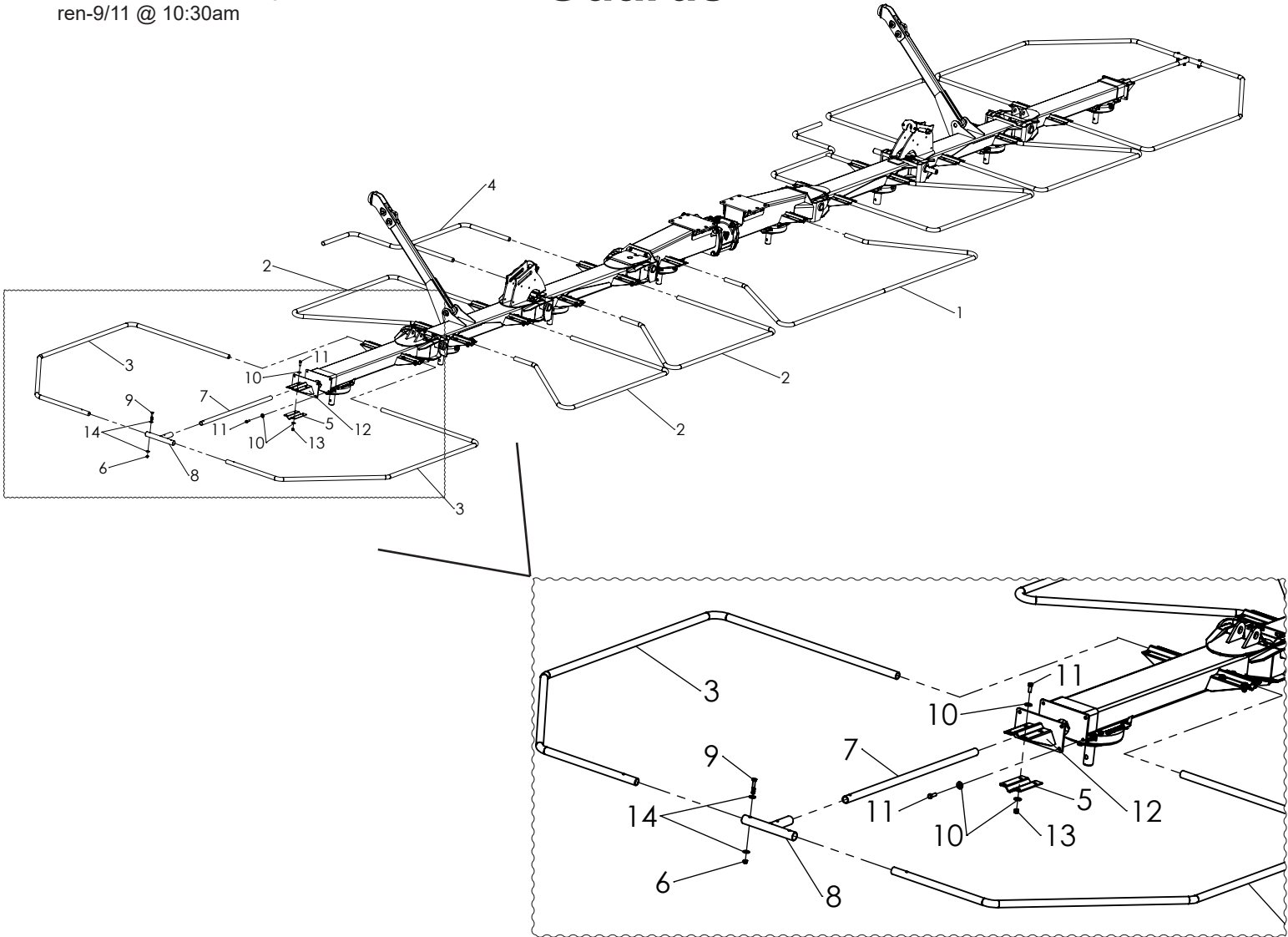


Ref#	Description	Part#	Qty
1	Bolt, 3/8"-16 x 1"	000270	4
2	Spring Cap	702412	1
3	3-1/2" Ext. Spiral Retaining Ring	702409	1
4	Top Bronze Bushing	702339	1
5	Compression Spring	702370	1
6	3/8"-16 Hex Nut	000915	3
7	3/8" Split Lock Washer	000820	3
8	Bushing, Lower Bronze Bushing	702340	2
9	4.000" HD Spiral Ret Ring	702408	1
10	1/2"-13 x 1-3/4" Hex Head Bolt	000445	1
11	1/2" Serrated Safety Washer, S	702821	1
12	Bottom Locking Pipe Assembly	703142	1
13a	Left Wheel Weldment	703833	1
13b	Right Wheel Weldment	703840	1
14	1/2"-13 x 3-1/4" HHB Gr. 5	000477	1
15	1/2" Nylon Locknut	000950	1

Ref#	Description	Part#	Qty
16	Spindle, Complete Package	730550	1
17	Hay Wrap Guard	703574	1
18	G888 Hub Complete	300122	1
19A	Airplane Style Tire and Wheel	703557	1
19B	27 X 7.75 R15 New Aircraft Asm	705137	1
20	1/2" Lug Bolt, -888 Hub	300037	6
21	5/16-24 HEx Jam Nut Zinc	001116	1
22	5/16-24 X 1/2 Set Screw	001121	1
23	2-1/2" Grommet	510621	1
24	Inner Bearing	300031	1
24A	Outer Bearing	300035	1
25	Outer Race	300034	1
26	5/32 x 1-3/4 Cotter Pin	300282	1
27	Inner Race	300032	1
28	G888 Grease Seal	300030	1
29	SPINDLE WASHER, 7/8	300283	1

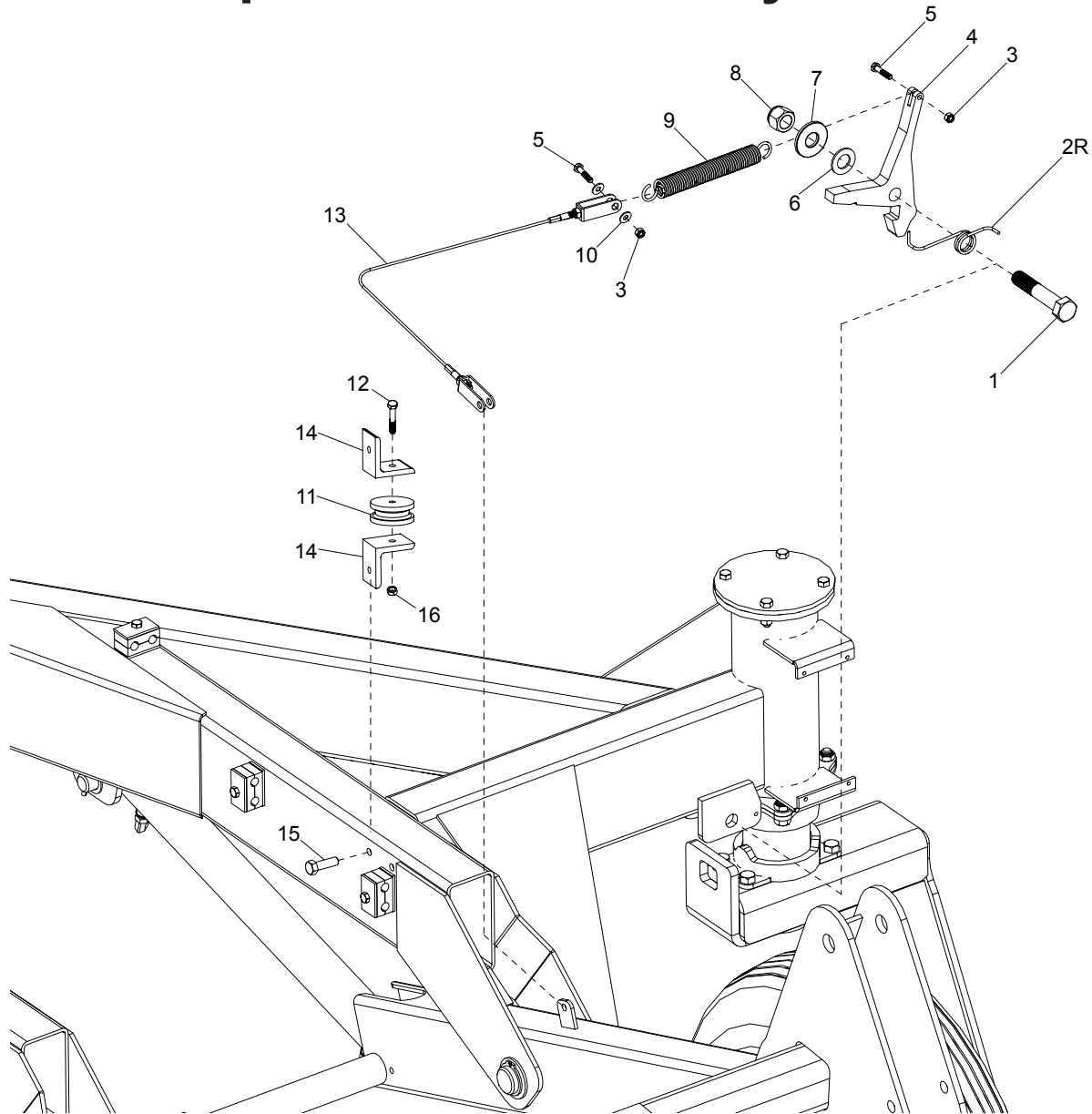
Requested updated image from Darren-9/11 @ 10:30am

# Guards



Ref#	Description	Part#
1	6100/8100 Middle Guard	703344
2	6100/8100 Middle Wing Guard	703263
3	6100/8100 Outer Guard	703341
4	Inner Guard Weldment	703056
5	Guard Cradle	702696
6	5/16"-18 Nylon Lock Nut, Zinc	002999
7	Outer Guard Support Pipe	703337
8	Guard Pipe Connection Weldment	703340
9	5/16-18 x 1-3/4" Hex Head Bolt	000127
10	3/8 USS Flat Washer, Zinc	001035
11	3/8-16 x 1-1/4" Hex Head Bolt, Gr.5 Zinc	000275
12	Heavy Duty Guard Sleeve Weldment	703689
13	3/8-16 Nylon Lock Nut, Zinc	003000
14	5/16 USS Flat Washer, Zinc	001030

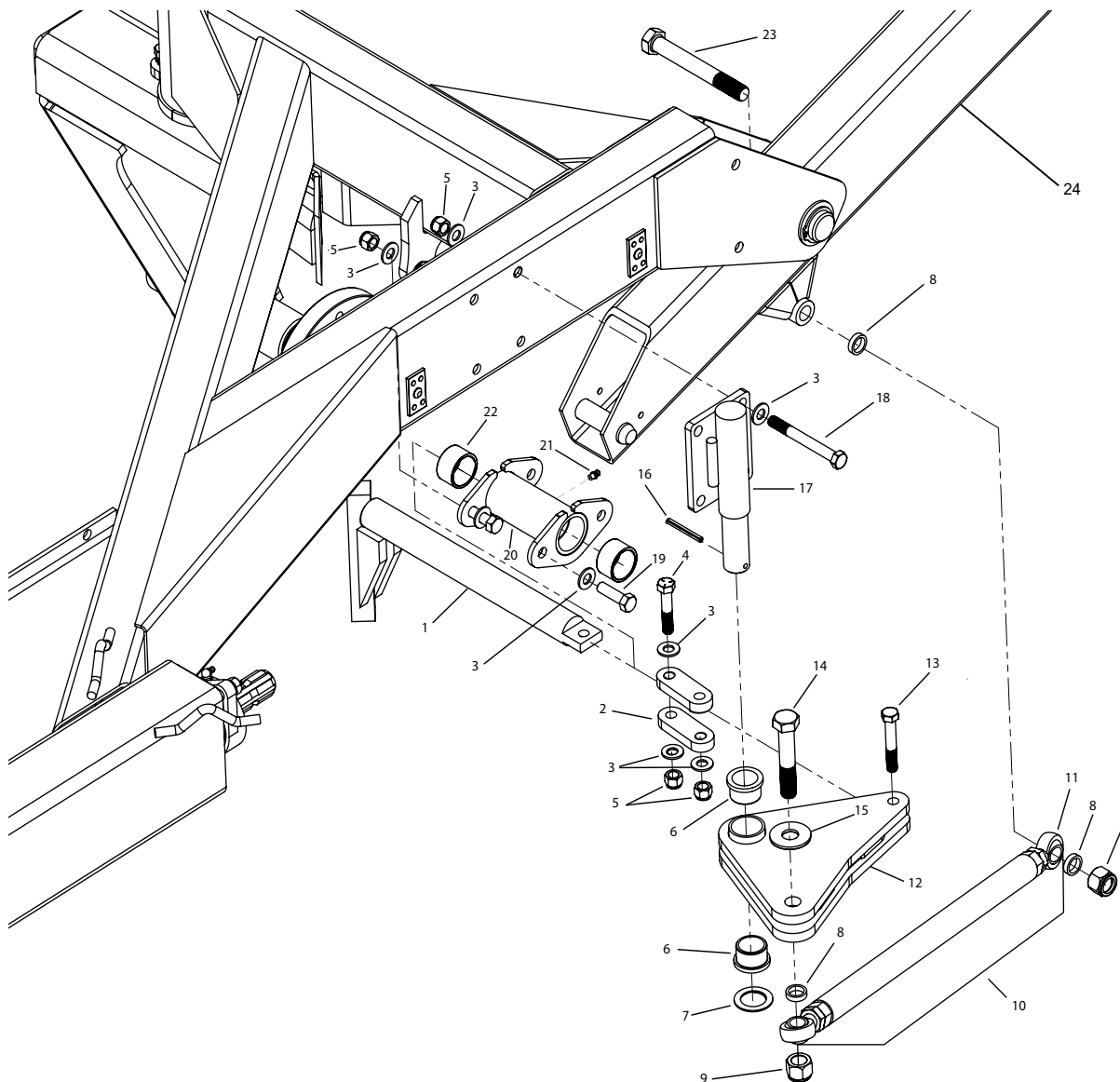
# Transport Lock Assembly-S/N 97107



Ref#	Description	Part#
1	3/4" x 4" Hex Head Bolt	000740
2R	Right Transport Lock Spring	703403
2L	Left Transport Lock Spring	703402
3	1/4-20 Nylon Lock Nut	003001
4	Transport Latch	703032
5	1/4-20 x 1-1/4 Hex Head Bolt	000184
6	3/4 USS Flat Washer	001086
7	Large 3/4" USS Flat Washer	001085
8	3/4"-10 Nylon Lock Nut	000990

Ref#	Description	Part#
9	Transport Lock Spring	703144
10	3/8" USS Flatwasher	001035
11	Cable Pulley	703028
12	5/16-18 x 2" Hex Head Bolt	000122
13	Transport Latch Cable	703005
14	Pulley Bracket	703393
15	3/8 x 3/4" Serrated Flange Bolt	000246
16	5/16" Nylon Locknut, Zinc	002999

# Transport Lock Assembly-S/N 97107+



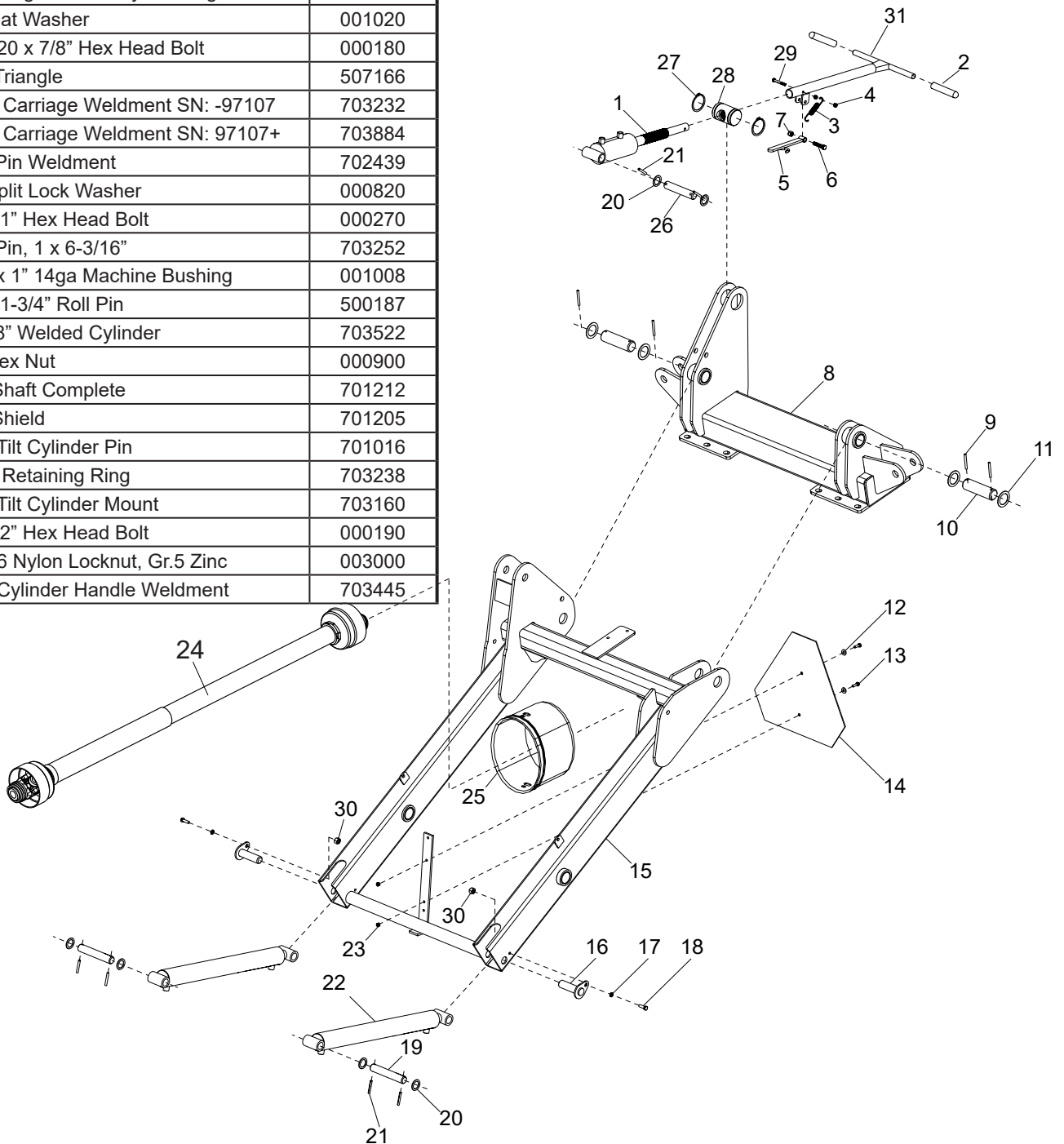
Ref#	Description	Part#
1	Push Rod Weld Assembly	703916
2	Push Rod Link	703915
3	1/2" SAE Flat Washer	001061
4	1/2" x 2-1/2" Hex Head Bolt	000460
5	1/2"-13 Nylon Locknut	000950
6	Flange Bushing	703893
7	1-1/4" x 1-7/8" Machinery Bushing	500185
8	Rod Eye Spacer	703863
9	3/4"-10 Nylon Locknut	000990
10	Push Link Assembly w/ Ball Ends	703861
11	Ball End w/ Jam Nut	300044
12	Latch Pivot Triangle Weld Assembly	703917

Ref#	Description	Part#
13	1/2"-13 x 3" Hex Head Bolt	000470
14	3/4"-10 x 4" Hex Head Bolt	000740
15	3/4" USS Flat Washer	001085
16	1/4" x 2-1/4" Roll Pin	502282
17	Latch Pivot Shaft Weld Assembly	703918
18	1/2" x 4-1/2" Hex Head Bolt	000500
19	1/2"-13 x 1-3/4" Hex Head Bolt	000445
20	Push Rod Housing	703869
21	1/2" Grease Fitting	400117
22	Push Link Bushing	703919
23	3/4"-10 x 6" Hex Head Bolt	000765
24	Lifting Carriage Weldment SN: 97107+	703884



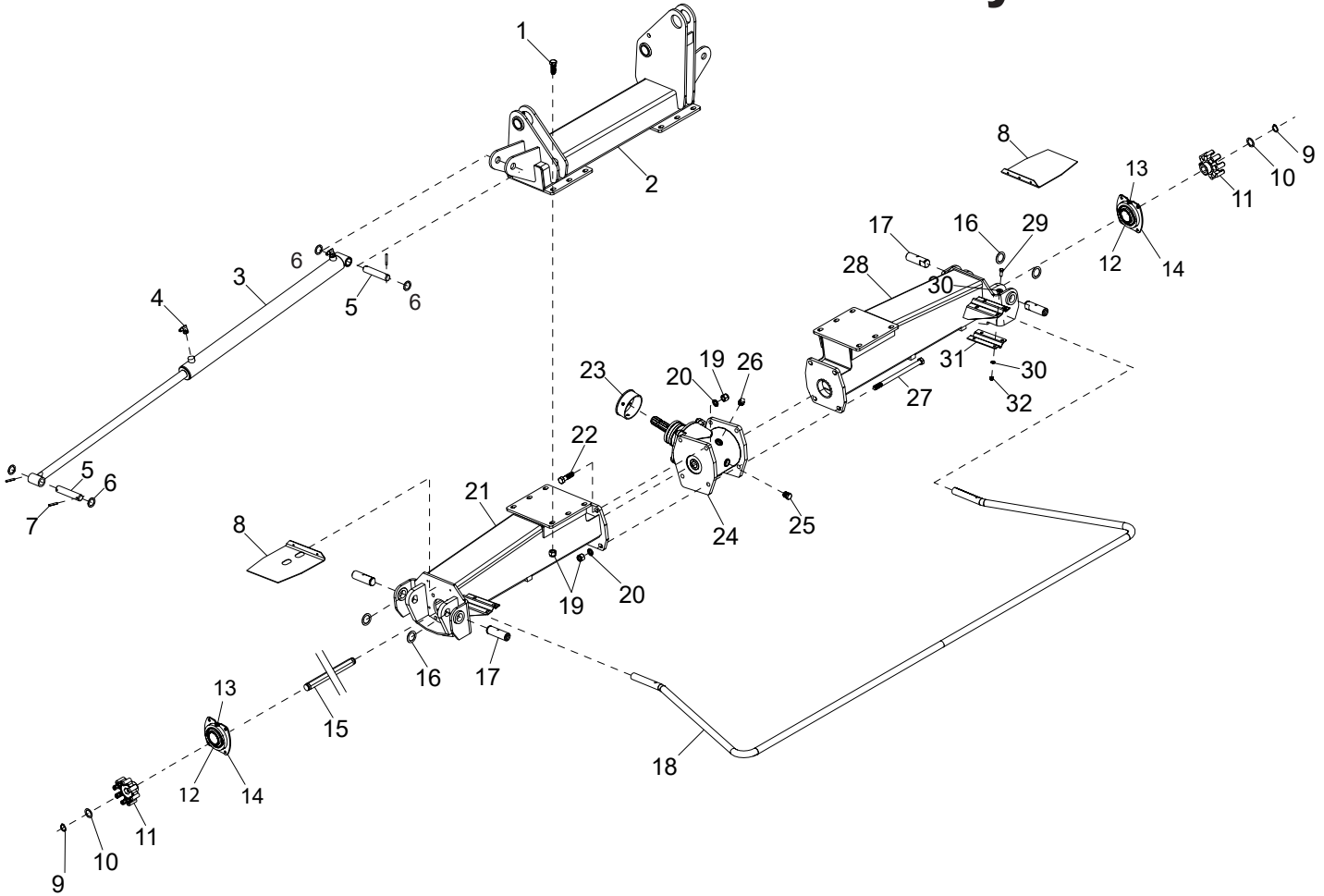
# Lift Frame Assembly

Ref#	Description	Part#
1	Front Tilt Cylinder	703159
2	Rubber Grips	900116
3	Tilt Cylinder Handle Spring	703332
4	1/4" Nylon Lock Nut	003001
5	Tilt Cylinder Latch Weldment	703446
6	3/8" x 1-3/4" Hex Head Bolt	000285
7	3/8" Nylon Lock Nut, Zinc	003000
8	Tunnel Weldment	703504
9	1/4 x 2-1/4" Roll Pin	502282
10	Top Connecting Pin, 1-1/2" x 5"	701102
11	1-1/2" 14ga Machinery Bushing	500197
12	1/4" Flat Washer	001020
13	1/4" - 20 x 7/8" Hex Head Bolt	000180
14	SMV Triangle	507166
15a	Lifting Carriage Weldment SN: -97107	703232
15b	Lifting Carriage Weldment SN: 97107+	703884
16	Pivot Pin Weldment	702439
17	3/8" Split Lock Washer	000820
18	3/8" x 1" Hex Head Bolt	000270
19	Pivot Pin, 1 x 6-3/16"	703252
20	1-1/2 x 1" 14ga Machine Bushing	001008
21	1/4" x 1-3/4" Roll Pin	500187
22	3" x 18" Welded Cylinder	703522
23	1/4" Hex Nut	000900
24	PTO Shaft Complete	701212
25	PTO Shield	701205
26	Front Tilt Cylinder Pin	701016
27	2-1/4" Retaining Ring	703238
28	Front Tilt Cylinder Mount	703160
29	1/4" x 2" Hex Head Bolt	000190
30	3/8"-16 Nylon Locknut, Gr.5 Zinc	003000
31	Front Cylinder Handle Weldment	703445





# Center Tunnel Assembly

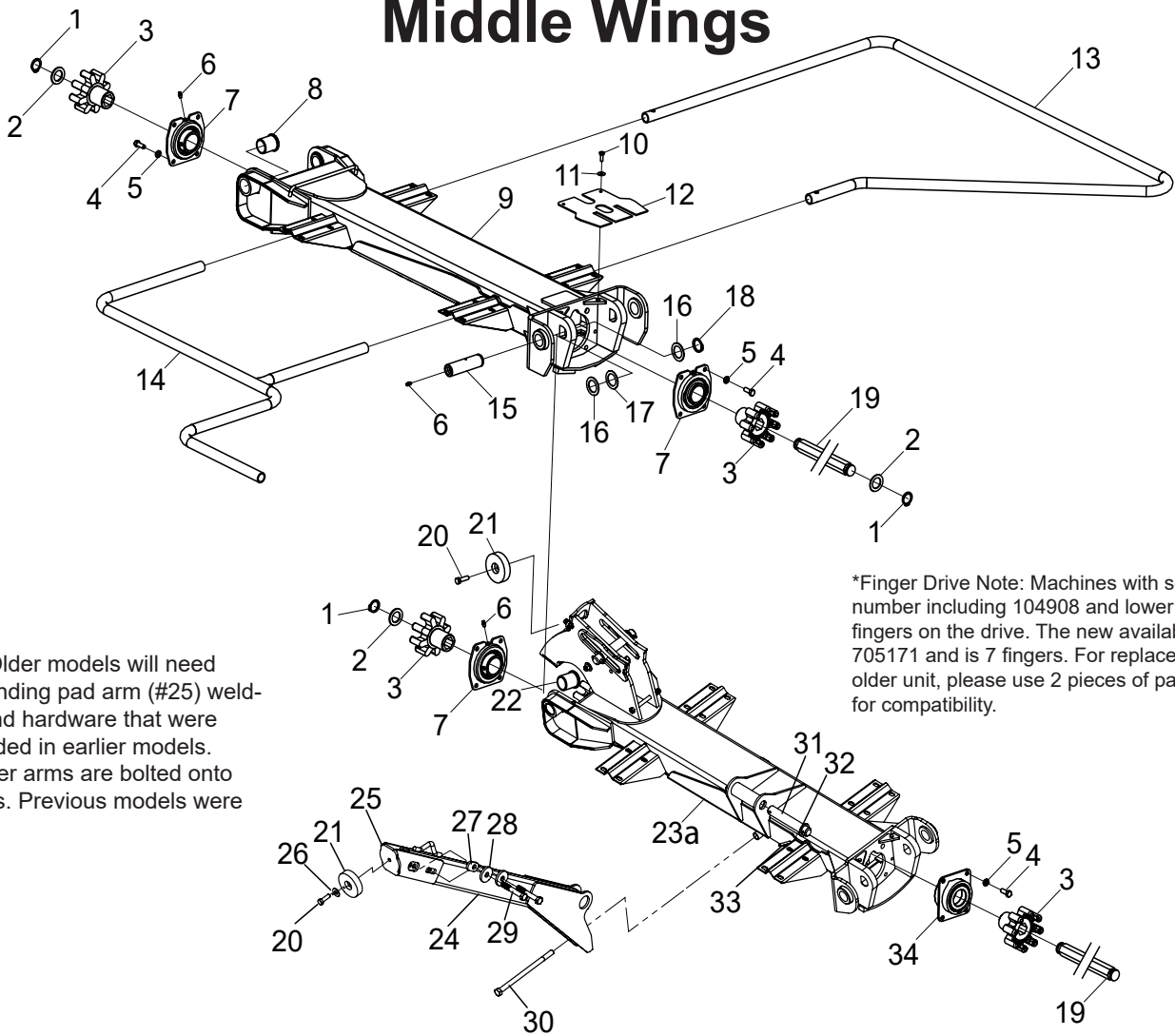


Ref#	Description	Part#
1	5/8"-11 x 1-3/4" Hex Head Bolt	000625
2	Top Center Tunnel Weldment	703504
3	2-1/2" x 30" Welded Cross Tube Cylinder	703521
4	90° Elbow Fitting	507281
5	Cylinder Pin, 1 x 6-3/16"	703252
6	1" x 1-1/2" Machinery Bushing	001008
7	1/4" x 1-3/4" Roll Pin	500187
8	Inside Finger Joint Cover	703642
9	1-1/8" Snap Ring	703657
10	1-1/8" x 1-3/4" 14 ga Machinery Bushing	001018
11a	Finger Drive - 1-1/8" Hex 8 Finger Serial Number xxxxxx-104908	703628 (not available)*
11b	Finger Drive 1-1/8 Hex 7 Finger Serial Number 104909-xxxxxx	705171
12	Finger Joint Bearing	703639
13	Grease Fitting - 1/4"	400117
14	Bearing Weldment w/ Spherical Bearing	703630
15	Center Hex Shaft	703627
16	1-1/4" x 1-7/8" 18ga Shim Washer	703588
17	Wing Pivot Pin	703052

Ref#	Description	Part#
18	Center Guard	703344
19	5/8" Nylon Lock Nut	000972
20	5/8 Split Lock Washer	000860
21	Left Center GB Weldment	703488
22	5/8"-11 x 2.25" Hex Head Bolt	000626
23	PTO Shield Mounting Bracket Weldment	703145
24	Center Gearbox Assembly	703561
25	Hex Head Plug	703115
26	Solid Square Head Plug Breather	703116
27	5/8"-11 x 10" Hex Head Bolt	000690
28	Right Center GB Weldment	703487
29	3/8-16 x 1-1/4 Hex Head Bolt, Gr.5	000275
30	3/8 USS Flat Washer, Zinc	001035
31	Guard Cradle	702696
32	3/8-16 Nylon Lock Nut, Zinc	003000

\*Finger Drive Note: Machines with serial number including 104908 and lower have 8 fingers on the drive. The new available part # is 705171 and is 7 fingers. For replacement on an older unit, please use 2 pieces of part 705171 for compatibility.

# Middle Wings



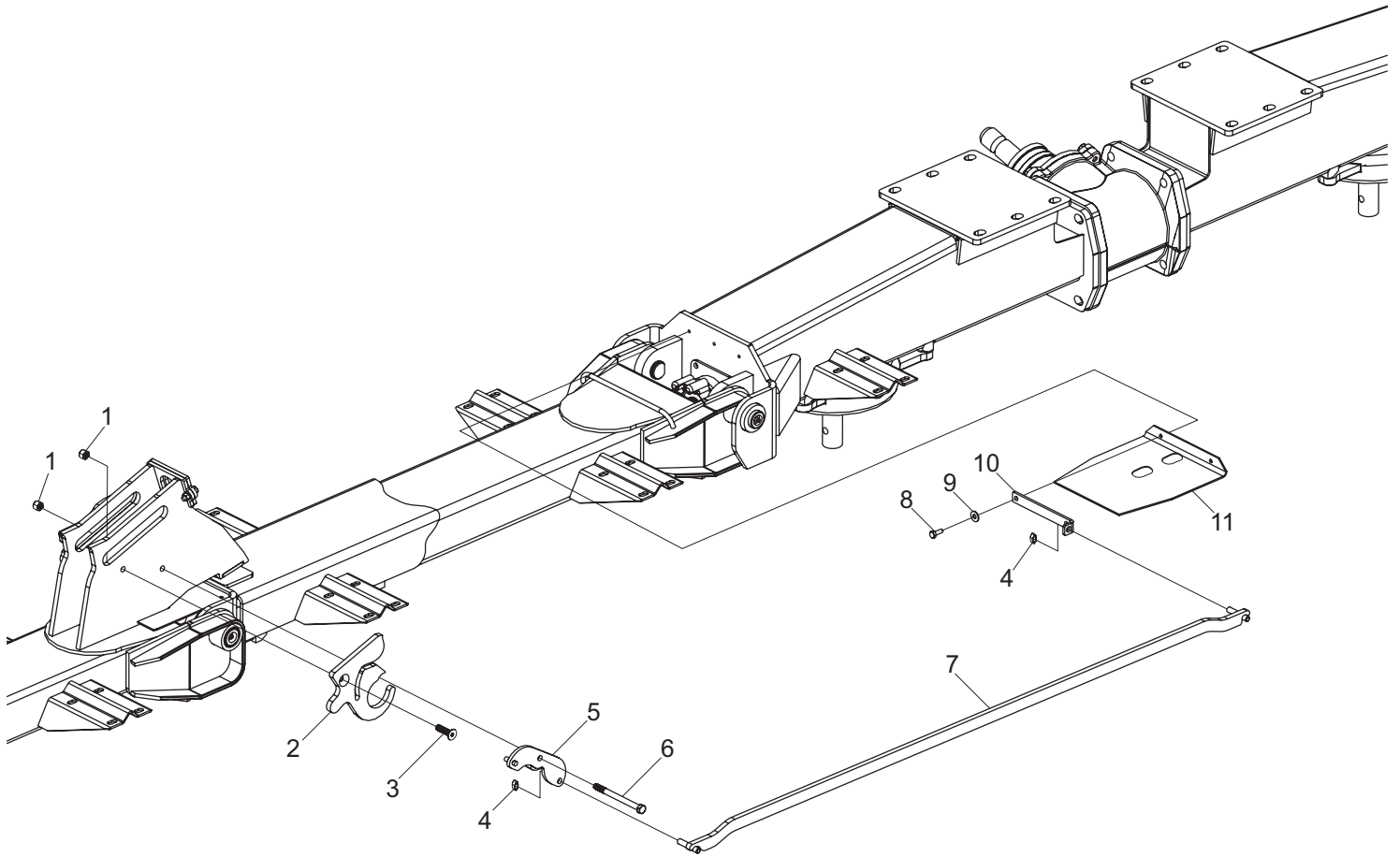
NOTE: Older models will need newer landing pad arm (#25) weldments and hardware that were not included in earlier models. The newer arms are bolted onto the wings. Previous models were

\*Finger Drive Note: Machines with serial number including 104908 and lower have 8 fingers on the drive. The new available part # is 705171 and is 7 fingers. For replacement on an older unit, please use 2 pieces of part 705171 for compatibility.

Ref#	Description	Part#
1	1-1/8" H.D. External Snap Ring	703657
2	1-1/8" x 1-3/4" 10ga Machine	001017
3	8 Point Finger Drive (1-1/8" H)*	703628
4	3/8"-16 x 1" Hex Head Bolt, Gr.5	000270
5	3/8" Lock Washer, Zinc	000820
6	1/4"-28 Spin-drive Grease Fitting	400117
7	Bearing Weldment w/ Spherical	703630
8	1-1/4" x 1-3/4" Flange Bushing	703535
9	8101 Base Wing Weldment	703490
10	1/4-20 x 3/4 Hex Head Bolt, Gr. 5	000175
11	1/4 USS Flat Washer, Zinc	001020
12	Middle Finger Cover, 8101	703711
13	6100, 8100 Middle Wing Guard	703263
14	Inner Guard Weldment	703056
15	Wing 1-1/4" D Pin	703052
16	1-1/4 x 1-7/8 Machinery Bushing	500185
17	1-1/4" x 1-7/8" 18ga Machinery Bushing	703588
18	Heavy Duty Ext Retaining Ring,	702826

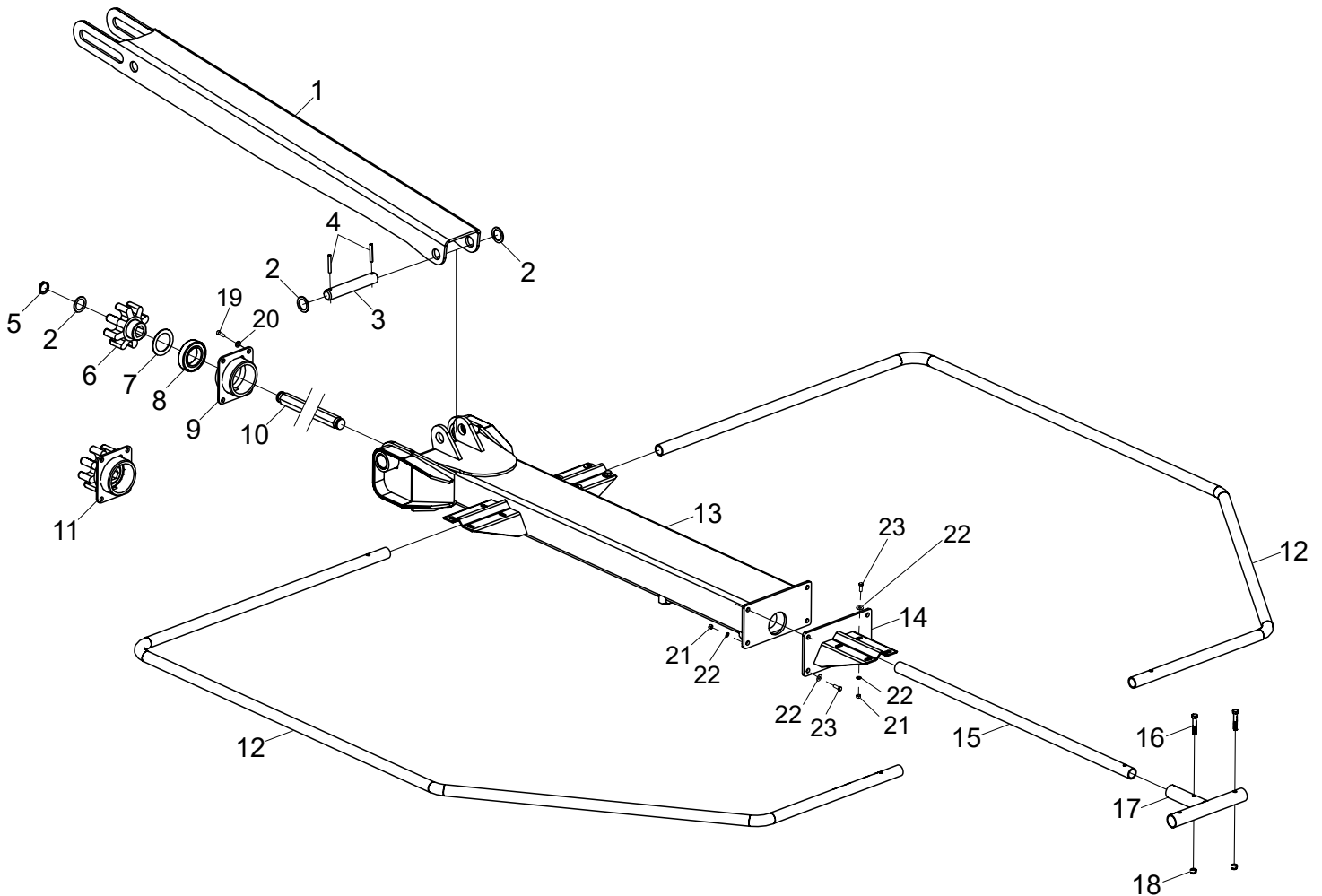
Ref#	Description	Part#
19	8100 Middle Wing Hex Shaft	703205
20	3/8-16 x 1-1/4 Hex Head Bolt,	000275
21	Wing Bumper	703324
22	1-1/4" x 1-3/4" Flange Bushing	703535
23a	Middle Wing Weldment, Left	703495
23b	Middle Wing Weldment, Right	703493
24	Pinned Arm Weldment	703975
25	8101 Arm End Weldment	703912
26	3/8 USS Flat Washer	001035
27	Cam Adjustment for Arm	704040
28	Bottom Tine Washer	701004
29	1/2"-13 x 3"-14 Hex Head Bolt Gr.5	000477
30	9/16"-12 x 2" Hex Head Bolt	000578
31	Pin, Axel Cylinder Pin	703252
32	1" x 1-1/2" Machinery Bushing 1	001008
33	1/4" x 1-3/4" Roll Pin Zinc	500187
34	Bearing Weldment (does not include finger)	702877

# Cylinder Linkage Assembly



Ref#	Description	Part#
1	3/8" Nylon Lock Nut	003000
2	Left Cylinder Latch Plate	703513
2A	Right Cylinder Latch Plate	703581
3	3/8" x 1-1/2" Flat Head Cap Screw	703577
4	3/8" Top Lock Jam Nut	003002
5	Left Latching Cam Assembly	703519
5A	Right Latching Cam Assembly	703520
6	3/8" x 4-1/2" Hex Head Bolt	000325
7	Cylinder Latch Link	703514
8	1/4" x 7/8" Hex Head Bolt	000180
9	1/4" USS Flat Washer, Zinc	001020
10	Linkage Pivot Base	703516
11	Inside Finger Joint Cover	703642

# Outer Wing

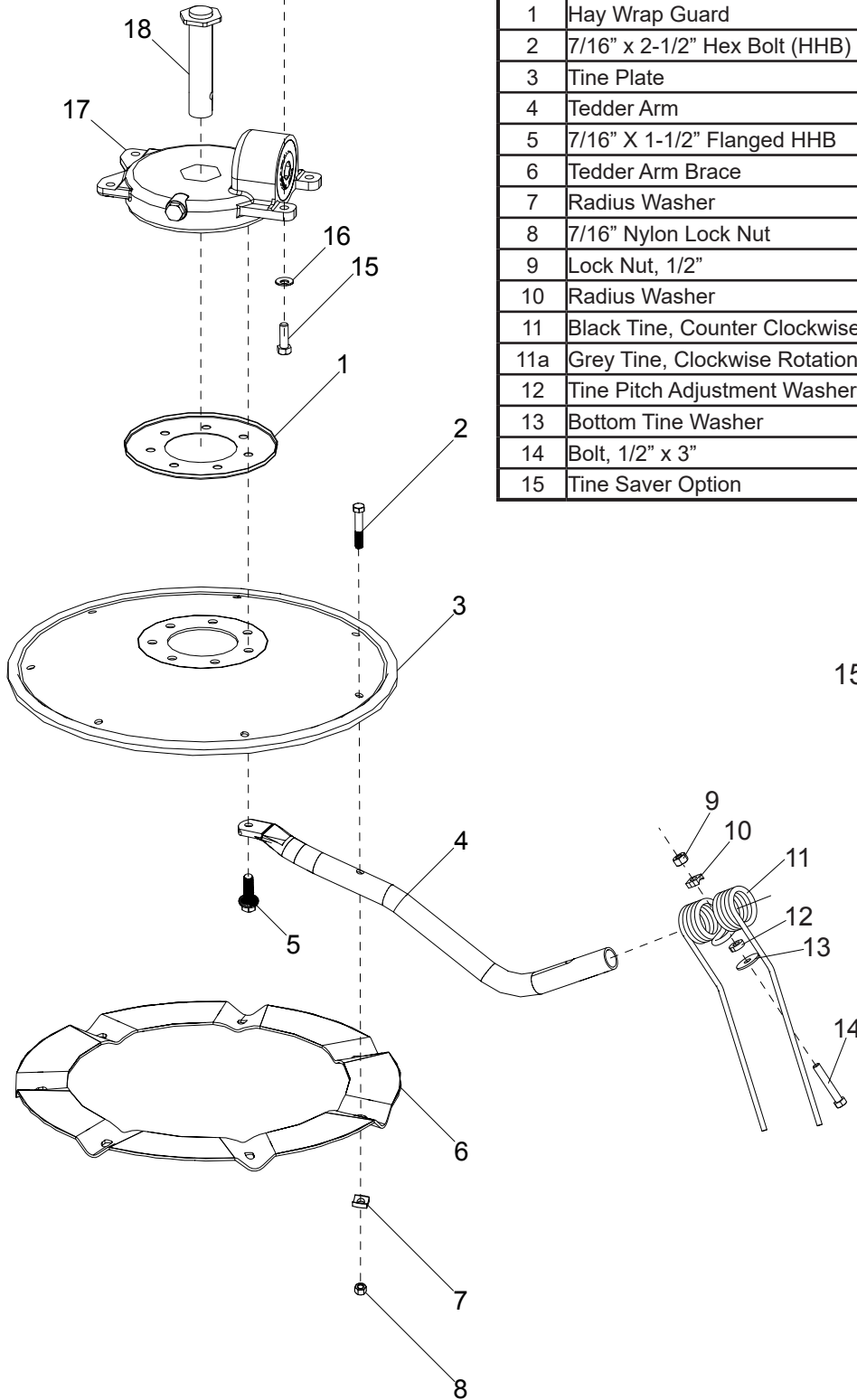
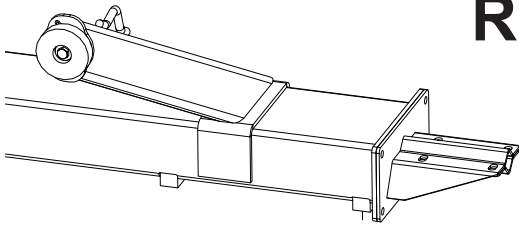


Ref#	Description	Part#
1	End Wing Lifting Link	703503
2	1" X 1-1/2" Machinery Bushing 14ga	001008
3	Axle/Cylinder Pin	703252
4	1/4" X 1-3/4" Roll Pin Zinc	500187
5	1" Heavy Duty Ext. Retaining Ring	702883
6A	Finger Drive - 1" Hex 8 Finger Serial Number xxxxxx-104908	702908
6B	Finger Drive 1" Hex 7 Finger Serial Number 104909-xxxxxx	703546
7	Finger Joint Spacer	702668
8	6009-2RS/C3 Bearing	403789
9	Bearing Weldment - Finger Drive	702877
10	8100 Outer Wing 1" Hex Shaft	703207
11A	Finger And Bearing Weld/Fab Assembly - 1" Hex 8 Finger Serial Number xxxxxx-104908	702874
11B	Finger And Bearing Weld/Fab Assembly - 1" Hex 7 Finger Serial Number 104909-xxxxxx	705068

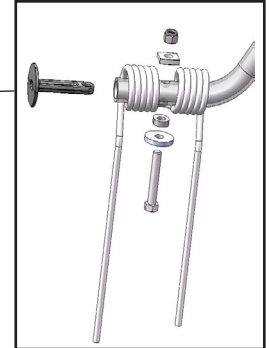
Ref#	Description	Part#
12	Outer Guard	703341
13	End Wing Weldment	703497
14	Heavy Duty Guard Sleeve Weldment	703689
15	Outer Guard Support Pipe	703337
16	5/16"-18 X 1-3/4" Hex Head Bolt	000127
17	Guard Pipe Connection Weldment	703340
18	5/16"-18 Nylon Lock Nut, Zinc	002999
19	3/8"-16 x 1-1/4" Hex Head Bolt, Gr.5	000270
20	3/8" Lock Washer, Zinc	000820
21	3/8-16 Nylon Lock Nut, Zinc	003000
22	3/8 USS Flat Washer, Zinc	001035
23	3/8"-16 x 1-1/4" Hex Head Bolt, Gr.5	000275

\*Finger Drive Note: Machines with serial number including 104908 and lower have 8 fingers on the drive. 1- 702908 (Outer Wing) and 1-703628 (1-1/8, Middle Outer Wing) For replacement on an older unit, if the outer middle needs replaced then order new as a set of the following. Please use 1-703546 (on outer wing) and 705171 (1-1/8, Middle Outer Wing) for compatibility.

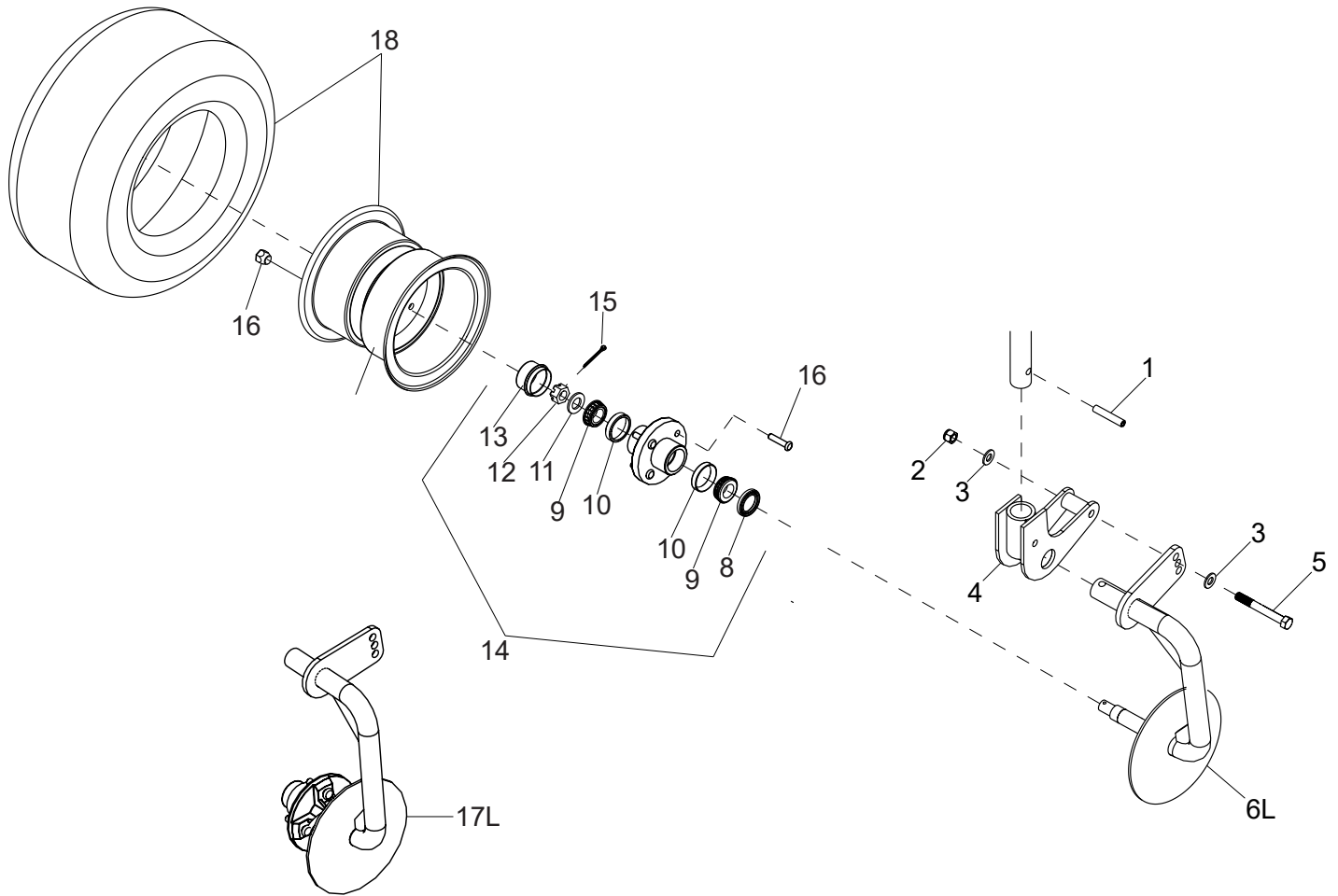
# Rotor & Tine Arm



Ref#	Description	Part#	Qty (per rotor)	Qty (per unit)
1	Hay Wrap Guard	702734	1	6
2	7/16" x 2-1/2" Hex Bolt (HHB)	000375	7	42
3	Tine Plate	702714	1	6
4	Tedder Arm	702718	7	42
5	7/16" X 1-1/2" Flanged HHB	000725	7	42
6	Tedder Arm Brace	700942	1	6
7	Radius Washer	701008	7	42
8	7/16" Nylon Lock Nut	000385	7	42
9	Lock Nut, 1/2"	000950	7	42
10	Radius Washer	701008	7	42
11	Black Tine, Counter Clockwise	700901	7	21
11a	Grey Tine, Clockwise Rotation	700929	7	21
12	Tine Pitch Adjustment Washer	701005	7	42
13	Bottom Tine Washer	701004	7	42
14	Bolt, 1/2" x 3"	000471	7	42
15	Tine Saver Option	704116	7	42



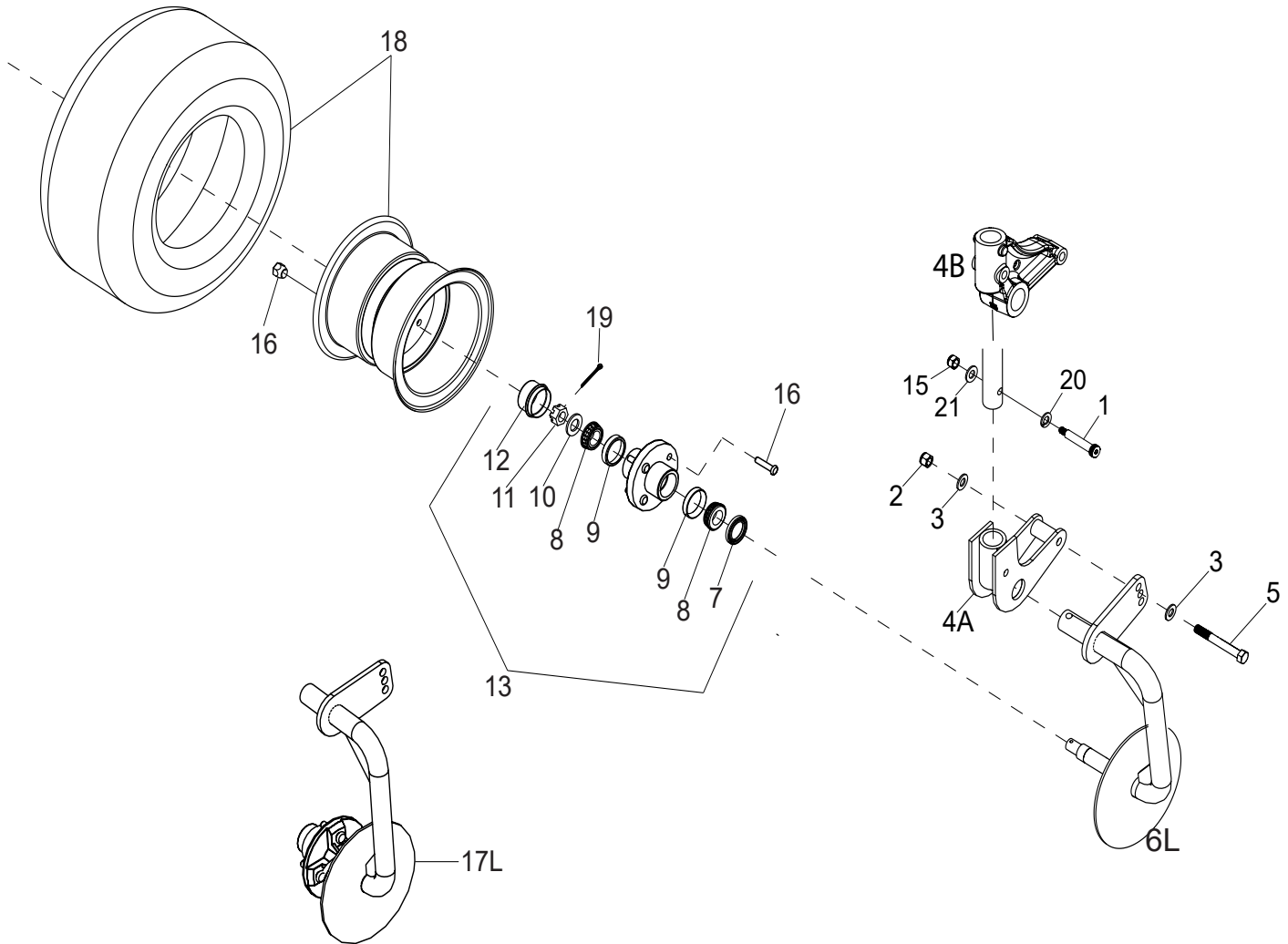
# Axle Assembly S/N -95000



Ref#	Description	Part#	Qty (per axle)
1	12mm x 60mm Spiral Roll Pin	702019	1
2	1/2"-13 Nylon Lock Nut	000950	1
3	1/2" SAE Flat Washer, Zinc	001061	2
4	Spindle Tube Weldment	702729	1
5	1/2" -13 x 4" HHB	000490	1
6L	Left Spindle Weldment	703444	1
6R	Right Spindle Weldment	703443	1
8	Grease Seal	500201	1
9	Bearing, L44643	500202	2
10	Race, L44610	500204	2
11	Spindle Washer	500206	
12	Spindle Nut	500207	1

Ref#	Description	Part#	Qty (per axle)
13	Dust Cap	500209	1
14	Complete Hub	500199	1
15	Cotter Pin	500208	1
16	Lug Bolt (for threaded hub)	500210	4
16a	Stub Bolt (drive in) Wheel Stud	508505	4
16b	Lug Nut (for drive in stud)	508506	4
17L	Left Spindle and Hub Package	702824	1
17R	Right Spindle and Hub Package	702825	1
18	Tire & Wheel Assembly	500220	1

# Axle Assembly 95000+

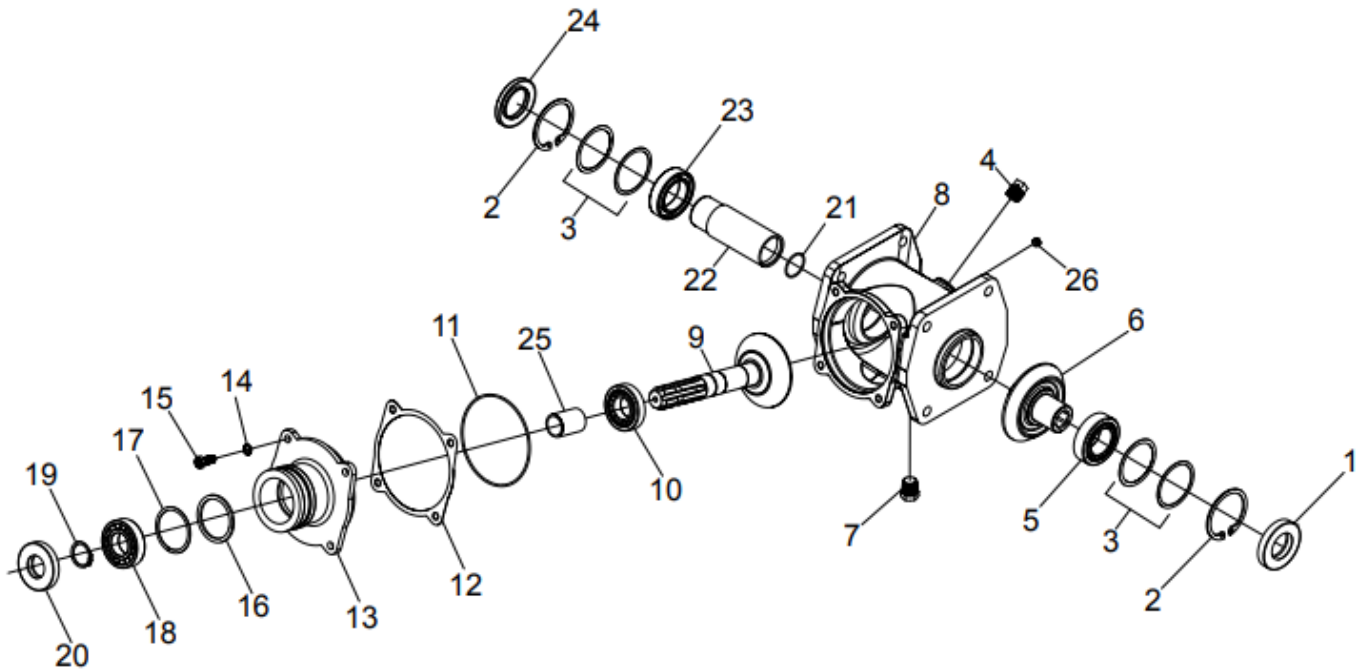


Ref#	Description	Part#	Qty (per axle)
1	1/2" x 2-1/2" x 5/16" Shoulder Bolt	703772	1
2	1/2"-13 Nylon Lock Nut	000950	1
3	1/2" SAE Flat Washer	001061	2
4A	Spindle Bracket Assembly (Bolted) ***Unavalible***	703763	1
4B	Spindle Boot Casting ***Backwards Compatible***	705150	1
5	1/2" -13 x 4" HHB	000490	1
6L	Left Spindle Weldment	703444	1
6R	Right Spindle Weldment	702825	1
7	Grease Seal	500201	1
8	Bearing, L44643	500202	2
9	Race, L44610	500204	2

Ref#	Description	Part#	Qty (per axle)
13	Complete Hub	500199	1
15	3/8" Nylon Lock Nut, Zinc	003000	1
16	Lug Bolt (for threaded hub)	500210	4
16a	Stub Bolt (drive in)	508505	4
16b	Lug Nut (for drive in stud)	508506	4
17L	Left Spindle and Hub Package	702824	1
17R	Right Spindle and Hub Package	702825	1
18	Tire & Wheel Assembly	500220	1
19	Cotter Pin	500208	1
20	1/2 Lock Washer, Zinc	000840	1
21	3/8" USS Flat Washer, Zinc	001035	1



# Input Gearbox Assembly

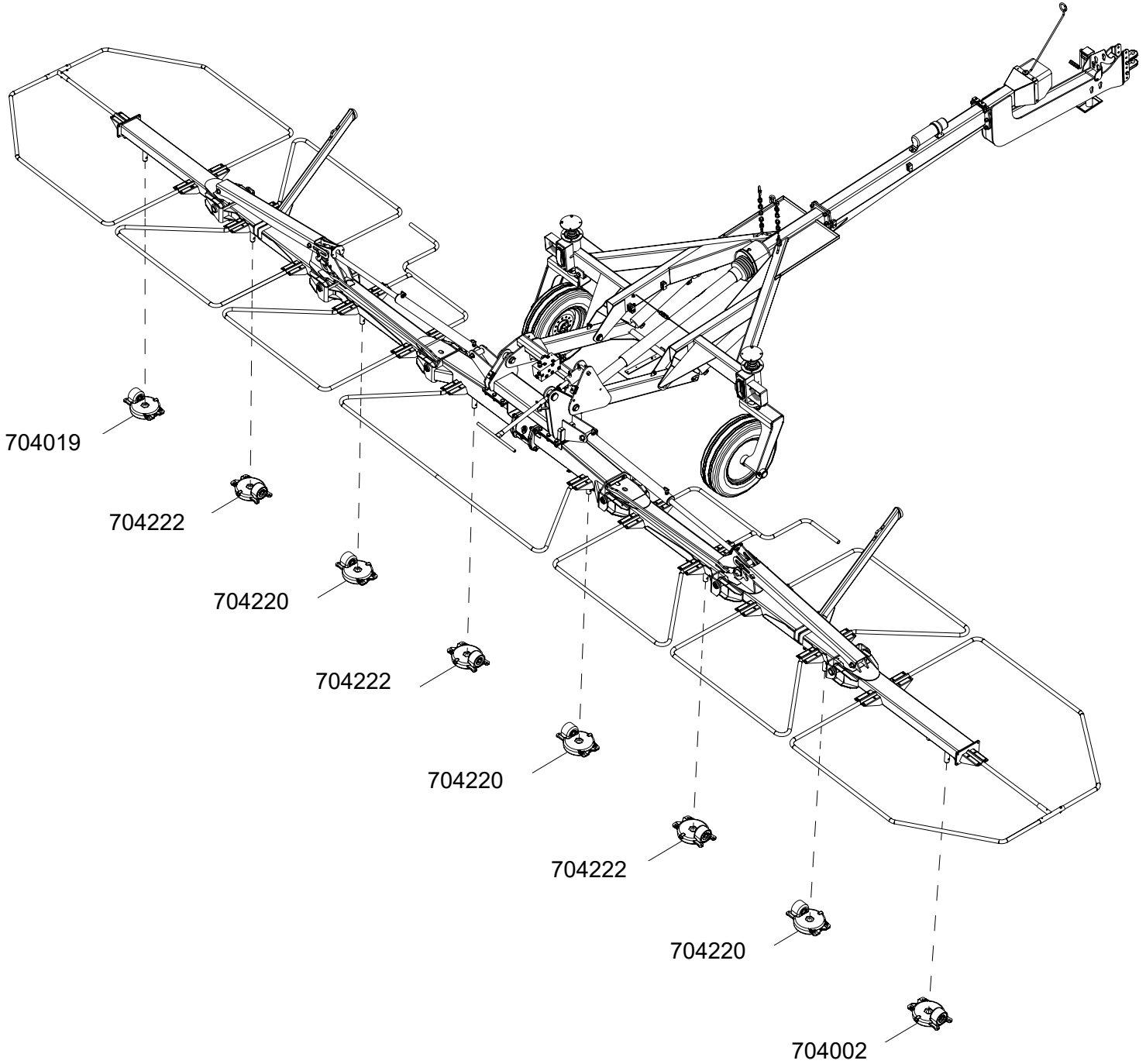


Ref#	Description	Part#
1	Oil Seal, 45mm X 80mm X 13mm	702655
2	Int. Retaining Ring, 80mm, Din 472-080	702643
3	Retaining Ring Washer	702661-36
4	Center Gear Shim 0.003" Thick	702661-003
5	33109 Taper Bearing Set	702841
6	20T Hardened Center Gear	703527
7	X100 Series Plug	703115
8	Center Gearbox 17X20	703560
9	17T Hardened Pinion	703526
10	30207 Tapered Roller Bearing	703564
11	6207 Open Ball Bearing	702644
12	Disk Spring Shim, Center Gearbox	703590-003

Ref#	Description	Part#
13	30 Lb Disk Spring- Bearing Preloader	703566
14	Gearbox Disk Spring Holder	703567
15	Ext. Retaining Ring, 35mm	702648
16	Input Cap O-Ring	703659
17	Input Shaft Housing For Tapered Roller Bearing	703563
18	7/16" Serrated Safety Washer, 0130155	702663
19	7/16"-20 X 1" Hex Head Bolt Gr. 8	000349
20	Oil Seal, 35mm X 72mm X 12mm	702656
21	O-Ring, 1.64710	702646
22	Input Gear Spacer For 17"x20" HDGB	703653
23	6010 Open Ball Bearing	702638
24	Oil Seal, 50mm X 80mm X 8mm	702654
	Complete High Speed Center Gearbox	703561

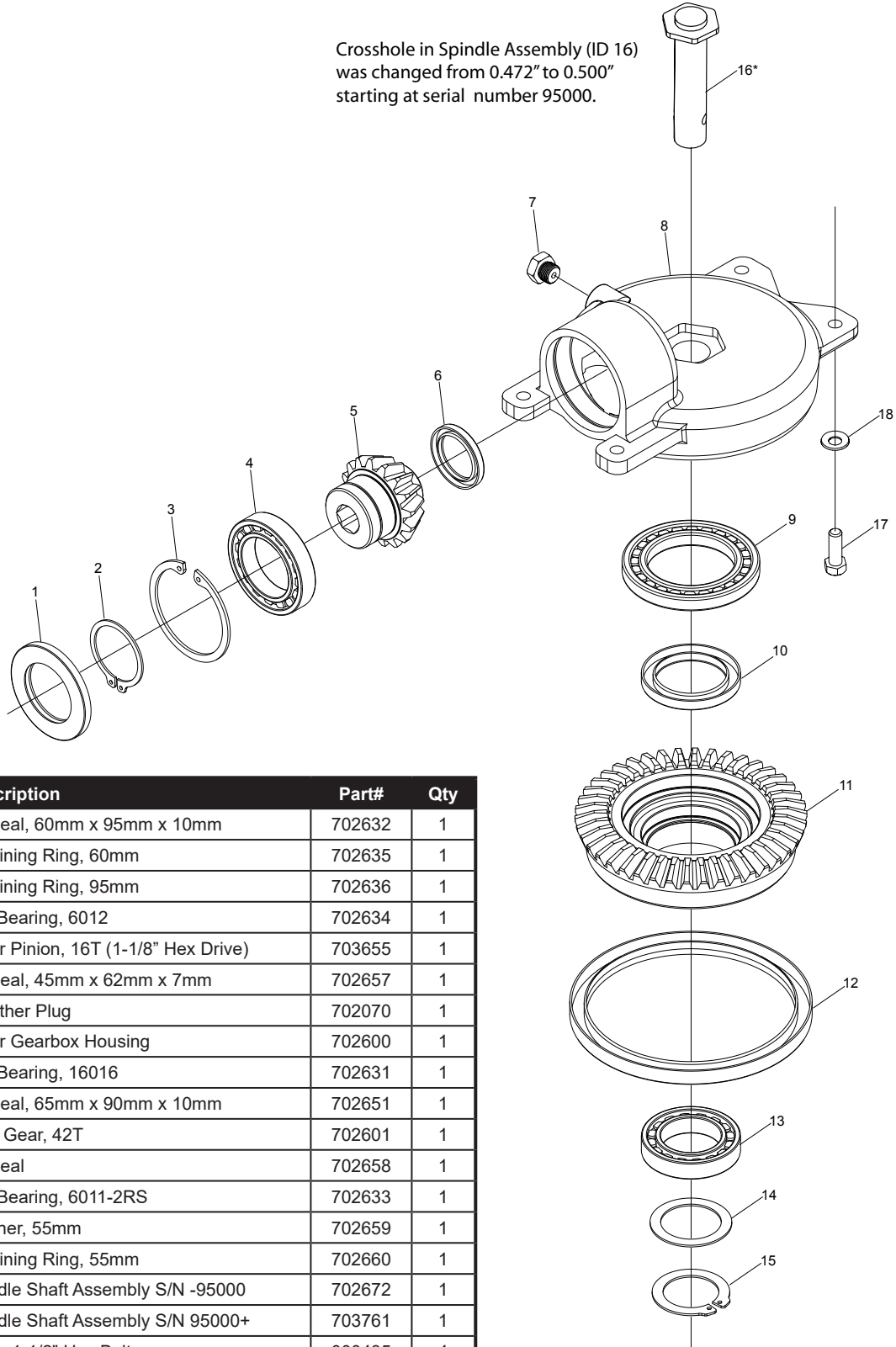
# Rotary Gearboxes (Overview)

Use this page to determine which page to use for gearbox breakdown. Note that the outer two wings use a 1" hex shaft and therefore require a 1" pinion gear. All other hex shafts are 1-1/8" hex shafts.



# Rotor Gearbox Assemblies (704220, 704222)

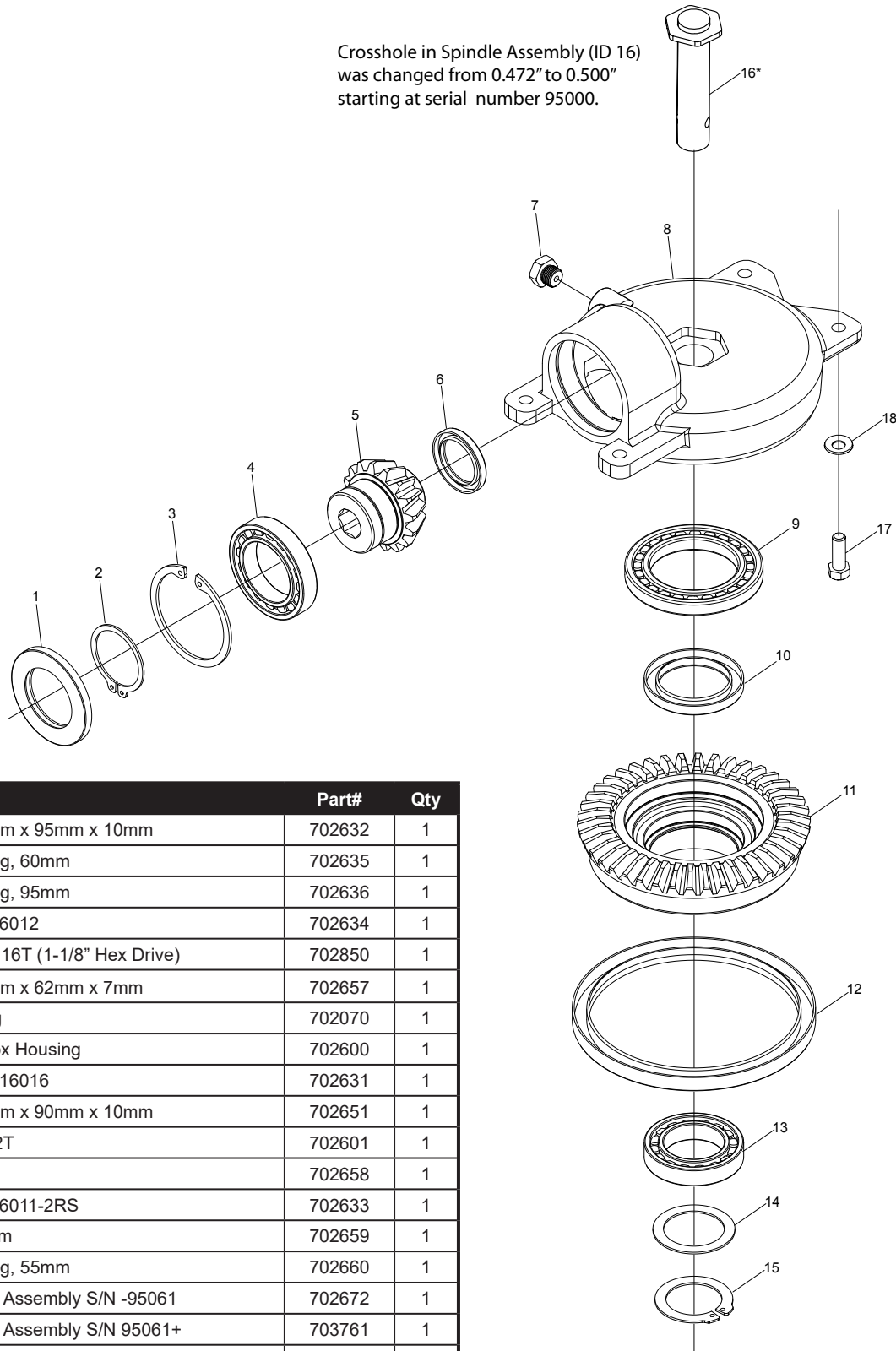
Crosshole in Spindle Assembly (ID 16)  
was changed from 0.472" to 0.500"  
starting at serial number 95000.



Ref#	Description	Part#	Qty
1	Oil Seal, 60mm x 95mm x 10mm	702632	1
2	Retaining Ring, 60mm	702635	1
3	Retaining Ring, 95mm	702636	1
4	Ball Bearing, 6012	702634	1
5	Rotor Pinion, 16T (1-1/8" Hex Drive)	703655	1
6	Oil Seal, 45mm x 62mm x 7mm	702657	1
7	Breather Plug	702070	1
8	Rotor Gearbox Housing	702600	1
9	Ball Bearing, 16016	702631	1
10	Oil Seal, 65mm x 90mm x 10mm	702651	1
11	Ring Gear, 42T	702601	1
12	Oil Seal	702658	1
13	Ball Bearing, 6011-2RS	702633	1
14	Washer, 55mm	702659	1
15	Retaining Ring, 55mm	702660	1
16a	Spindle Shaft Assembly S/N -95000	702672	1
16b	Spindle Shaft Assembly S/N 95000+	703761	1
17	1/2" x 1-1/2" Hex Bolt	000435	4
18	1/2" Serrated Washer	702821	4
	Complete Rotor Gearbox, Timed for CW	704220	
	Complete Rotor Gearbox, Timed for CCW	704222	

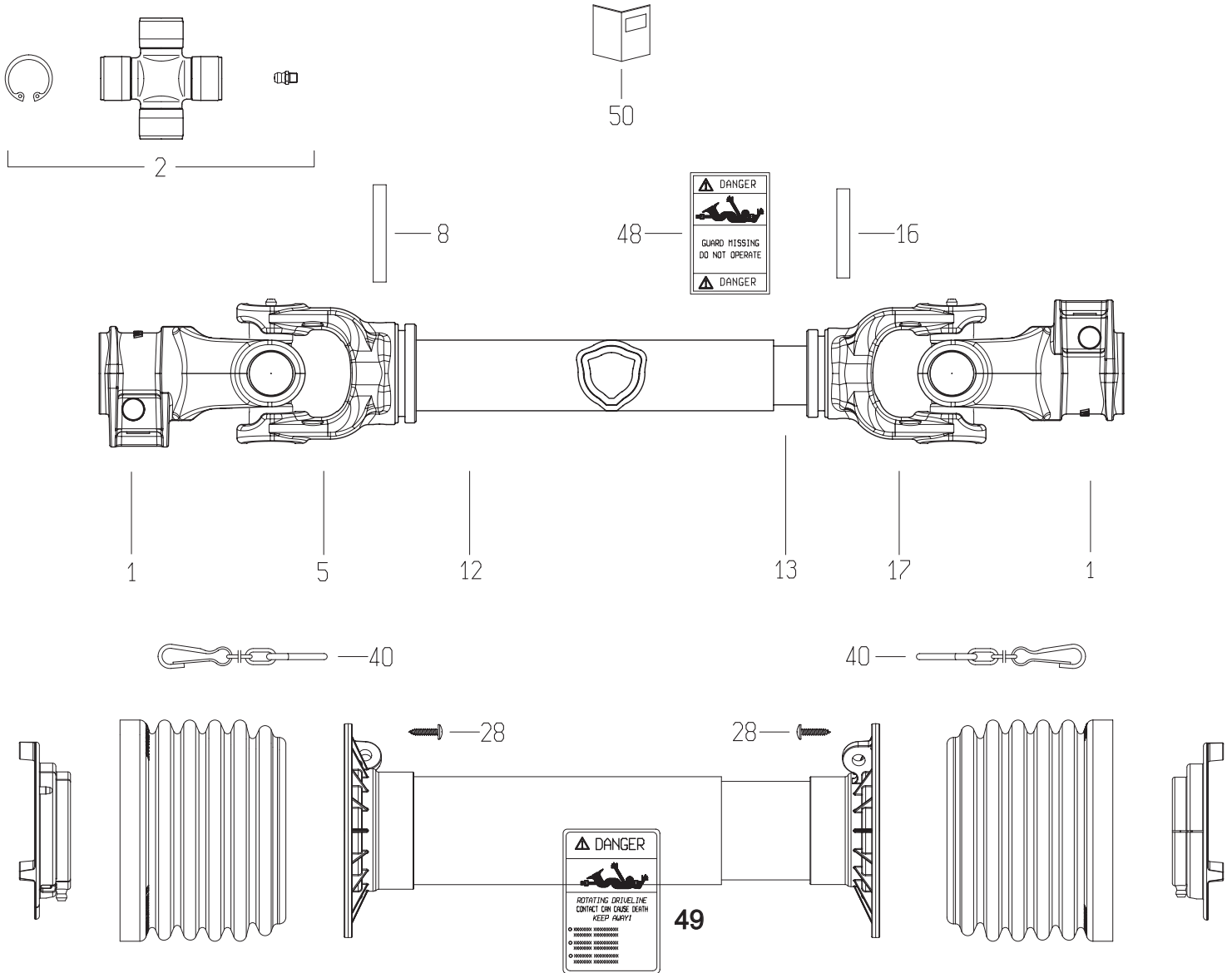
# Rotor Gearbox Assemblies (704019, 704002)

Crosshole in Spindle Assembly (ID 16) was changed from 0.472" to 0.500" starting at serial number 95000.



Ref#	Description	Part#	Qty
1	Oil Seal, 60mm x 95mm x 10mm	702632	1
2	Retaining Ring, 60mm	702635	1
3	Retaining Ring, 95mm	702636	1
4	Ball Bearing, 6012	702634	1
5	Rotor Pinion, 16T (1-1/8" Hex Drive)	702850	1
6	Oil Seal, 45mm x 62mm x 7mm	702657	1
7	Breather Plug	702070	1
8	Rotor Gearbox Housing	702600	1
9	Ball Bearing, 16016	702631	1
10	Oil Seal, 65mm x 90mm x 10mm	702651	1
11	Ring Gear, 42T	702601	1
12	Oil Seal	702658	1
13	Ball Bearing, 6011-2RS	702633	1
14	Washer, 55mm	702659	1
15	Retaining Ring, 55mm	702660	1
16a	Spindle Shaft Assembly S/N -95061	702672	1
16b	Spindle Shaft Assembly S/N 95061+	703761	1
17	1/2" x 1-1/2" Hex Bolt	000435	4
18	1/2" Serrated Washer	702821	4
	Complete Rotor Gearbox, Timed for CW	704019	
	Complete Rotor Gearbox, Timed for CCW	704002	

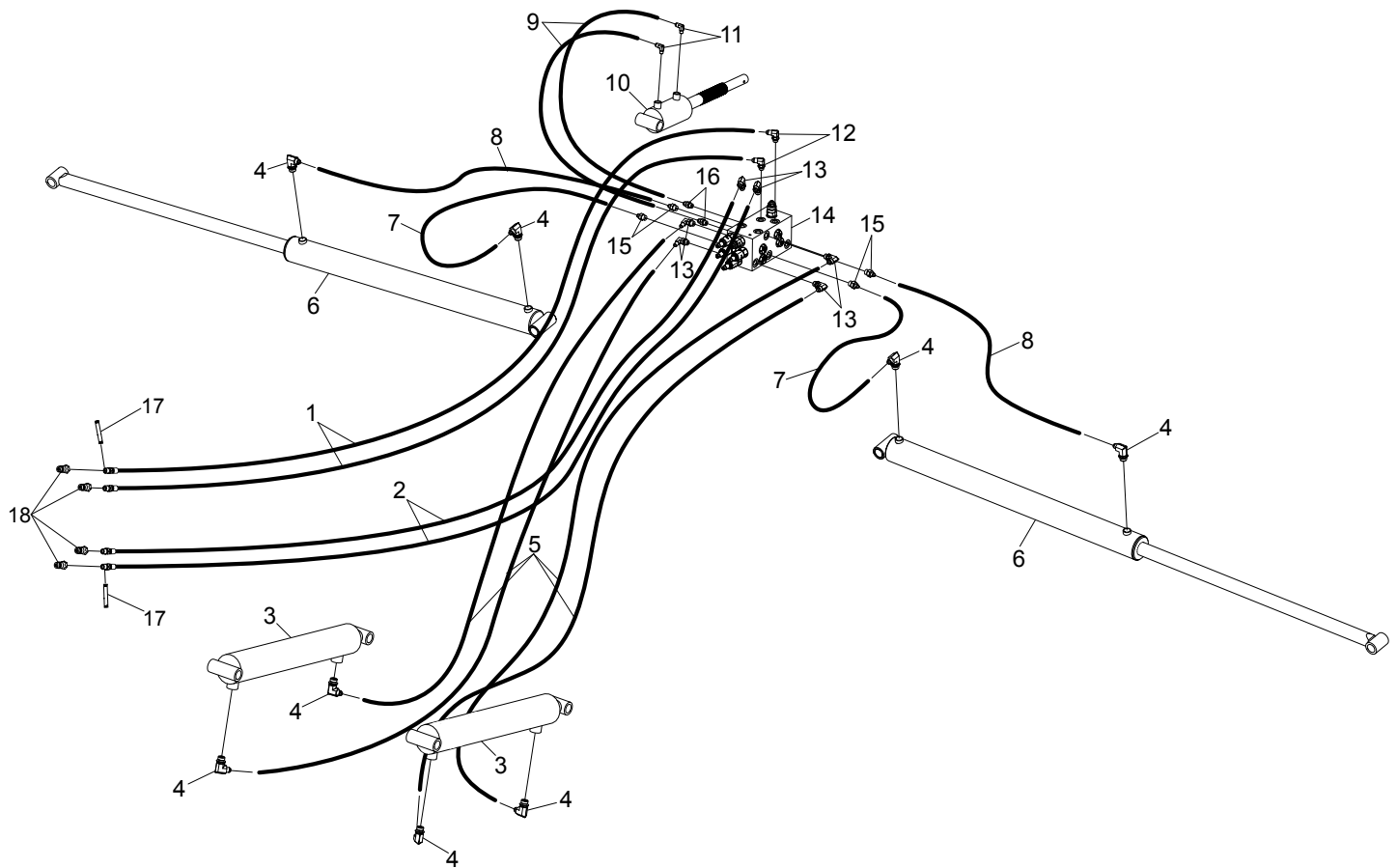
# Rear PTO Shaft Assembly



Ref#	Description	Part#
1	Yoke #4/S4 1-3/8"Z6 Shrouded Pin (007)	500427-99
2	Cross Kit S4-G4 27X74.6 Cap Zerk	500428-99
5	Tube Yoke #4-G4 Outer (43.5)	500429-99
8	Flexible Roll Pin 8X60 Din1481	500430-99
12	Cardan Tube Outer 12508 L=1170	703829-99
13	Cardan Tube Inner 12507 L=1170	703830-99
16	Flexible Roll Pin 8X55 Din1481	500433-99
17	Tube Yoke #4-G4 Inner (36.0)	500434-99
26	Shield Support Outer G3-G4	500436-99

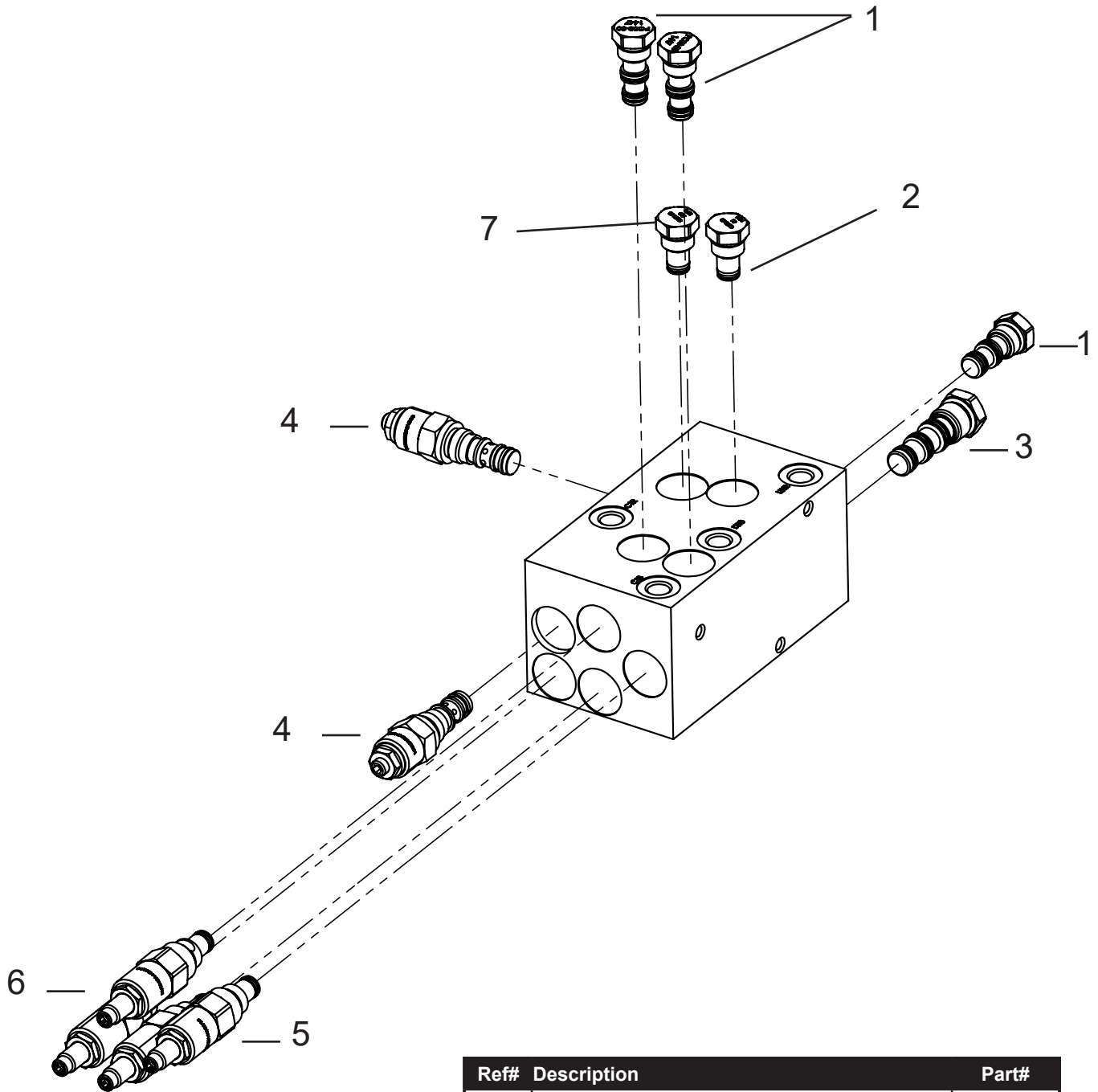
Ref#	Description	Part#
28	Screw 4.8X22 Self Tap Zinc	500417-99
32	Shield Support Inner G3-G4	500437-99
40	Shield Chain W/S-Hook L=500Mm	500420-99
48	Label - Danger - Outer Drive Tube	500421-99
49	Label - Danger - Outer Shield Tube	500422-99
50	Instruction Booklet - N.america Global	500423-99
93	Half Shaft Cleared	703831-99
94	Half Shaft Cleared	703832-99
97	Complete Shield Kit	703833

# Hydraulics



Ref#	Description	Part#
1	1/4" x 273" Hose Assembly (4FJX & 8MP)	703587
2	3/8" x 273" Hose Assembly (6FJX & 8MP)	703586
3	3" x 18" Welded Cross Tube Cylinder	703522
4	90° Elbow Fitting (6MJ x 8MB)	507281
5	3/8" x 72" Hose Assembly (6FJX & 4FJX)	703583
6	2-1/2" x 30" Welded Cross Tube Cylinder	703521
7	3/8" x 34-1/2" Hose Assembly (6FJX & 6FJX)	703584
8	3/8" x 61" Hose Assembly (6FJX & 6FJX)	703585
9	1/4" x 15.5" Hose Assembly (4FJX & 4FJX)	703379
10	Front Tilt Cylinder	703159
11	90° Elbow Fitting, 4MJ x 4MP	702459
12	90° Fitting (4MJ x 6MB)	700907
13	90° Fitting (6MJ x 6MB)	101022
14	Manifold Block	703288
15	Straight Fitting (6MJ x 6MB)	507283
16	Straight Fitting (4MJ x 4MB)	290195
17	White Nylon Tape	703483
18	1/2" Male Ag Quick Coupler	290105

# Manifold Block



Ref#	Description	Part#
	Manifold Block - Sold as assembly	703288
1	Check Valve	703883-99
2	24 TS Manifold Check Valve	505721-99
3	Cartridge	507457
4	Counter Balance Valve	510645-99
5	Relieve Valve 1000 psi	704253-99
6	Relieve Valve 1500 psi	704254-99
7	Check Valve 200 PSI; CV08-20-200-1504	704259-99



# Notes



200 Jalyn Drive  
New Holland PA 17557

Phone: 717-354-4343  
Fax: 717-354-8843  
E-mail: [pequea@pequea.com](mailto:pequea@pequea.com)  
[www.pequea.com](http://www.pequea.com)