

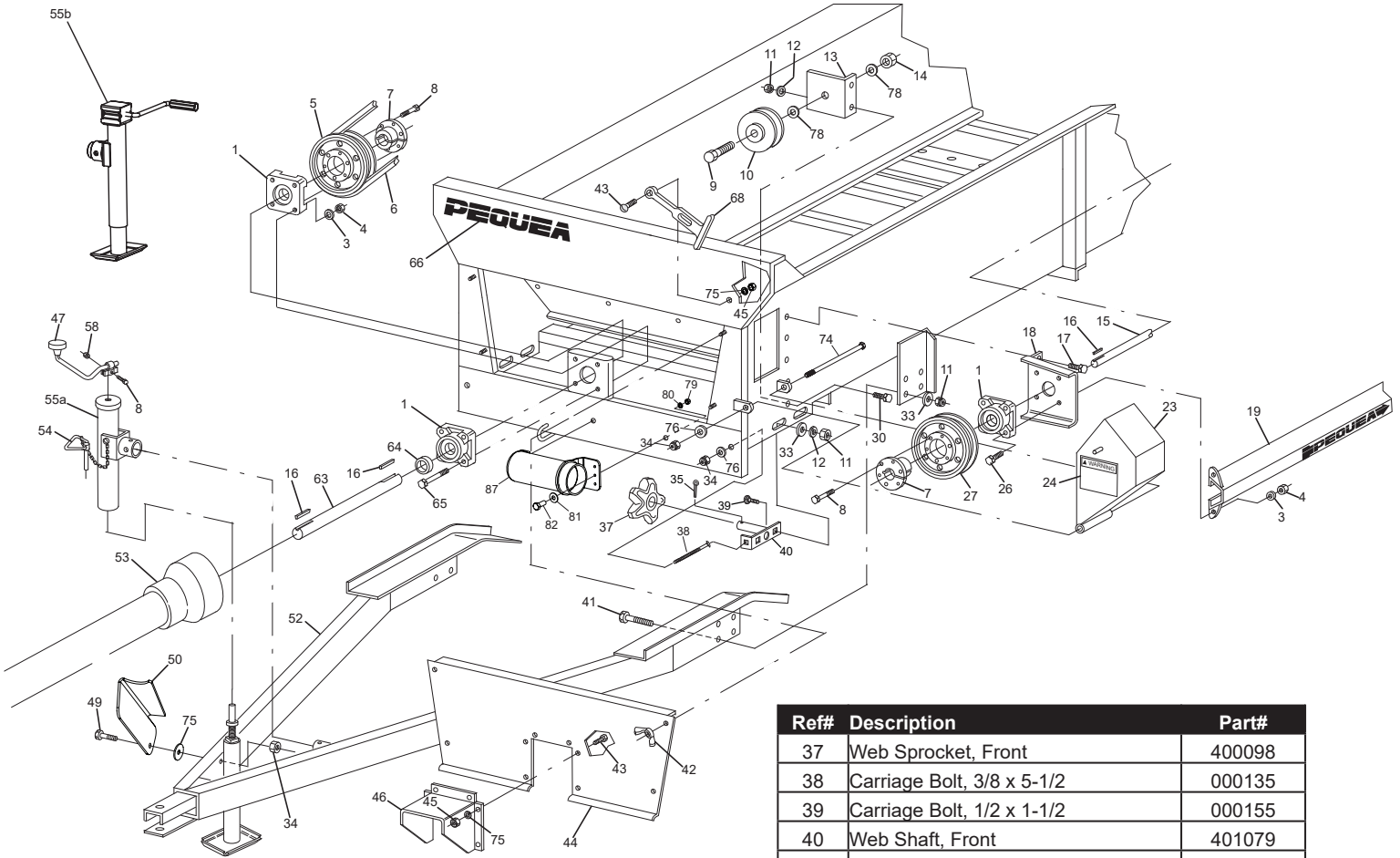


# 80P Manure Spreader

## Illustrated Parts Breakdown

<b>Page 1</b>	<b>Front End</b>
<b>Page 2</b>	<b>Left Rear</b>
<b>Page 3</b>	<b>Right Rear S/N -94714</b>
<b>Page 4</b>	<b>Right Rear S/N94714+</b>
<b>Page 5</b>	<b>Top Beater (401387)</b>
<b>Page 6</b>	<b>Endgate (MSEG80)</b>
<b>Page 7</b>	<b>Floor</b>
<b>Page 8</b>	<b>Fine Spread Pan (401340)</b>
<b>Page 9</b>	<b>PTO Shaft</b>

# 80P Front

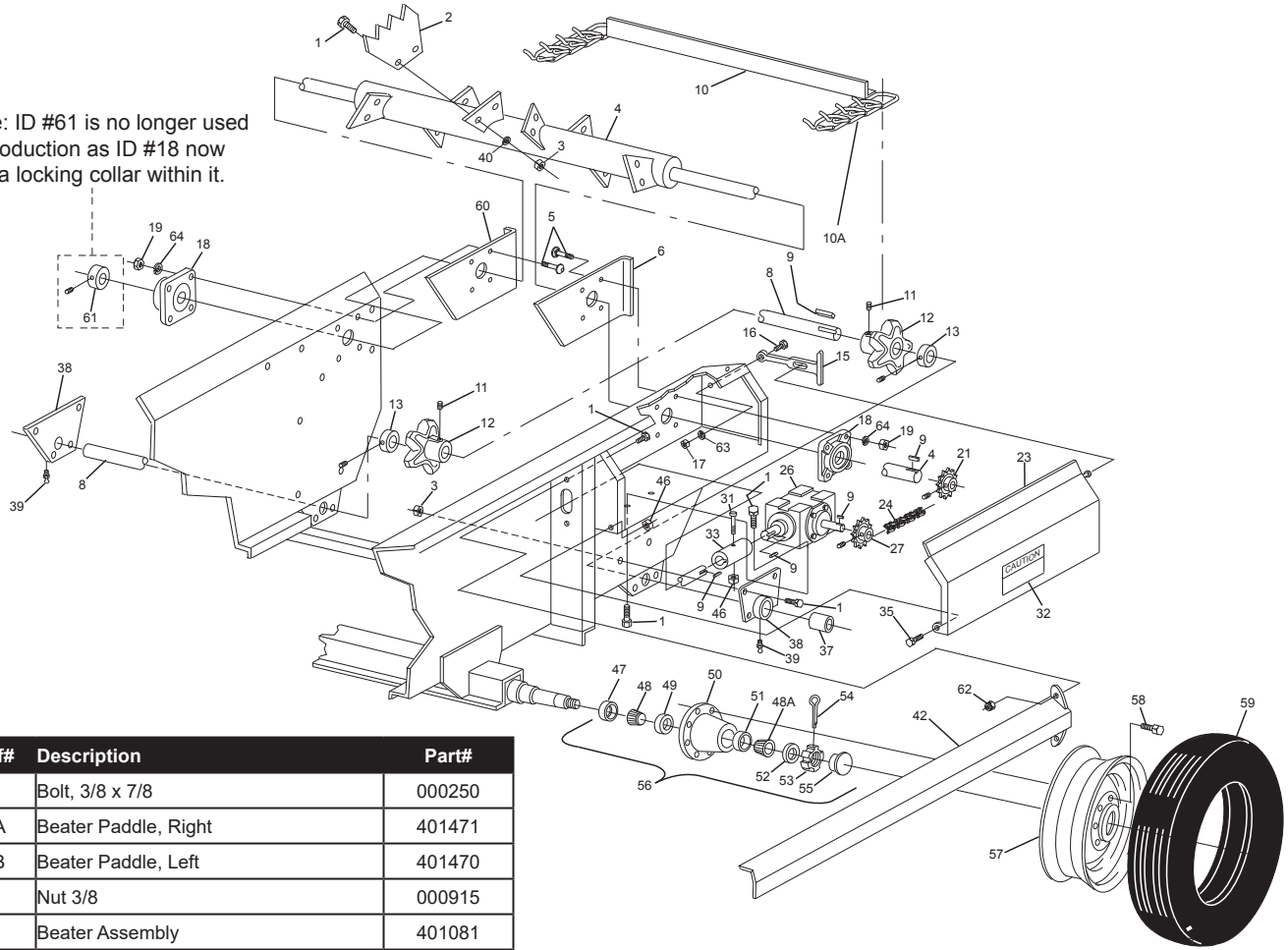


Ref#	Description	Part#
1	Jack Shaft Bearing	700053
3	Lock Washer, 7/16	000830
4	Nut, 7/16	000935
5	Jack Shaft Pulley	401473
6	Belt, BX-68	401475
7	Pulley Hub	400110
8	Bolt, 1/4 x 1	000180
9	Bolt, 5/8 x 3	010019
10	Idler Pulley	400103
11	Nut, 1/2	000940
12	Lock Washer, 1/2	000840
13	Idler Pulley Bracket	400067
14	Locknut, 5/8	000972
15	Drive Shaft	400149
16	Key, 1/4 x 1/4 x 1-1/4	400115
17	Bolt, 3/8 x 7/8	000250
18	Bearing Bracket	400041
19	Drive Shaft Shield	400156
23	Side Pulley Shield	400154
24	Warning Decal	400178
26	Bolt, 7/16 x 1-1/2	000360
27	Drive Shaft Pulley	401471
30	Bolt, 1/2 x 1	000405
33	1/2 USS Flatwasher	001055
34	3/8" Nylon Locknut	003000
35	Cotter Pin, 5/32 x 1-1/2	001215

Ref#	Description	Part#
37	Web Sprocket, Front	400098
38	Carriage Bolt, 3/8 x 5-1/2	000135
39	Carriage Bolt, 1/2 x 1-1/2	000155
40	Web Shaft, Front	401079
41	1/2 x 1-1/2 Hex Head Bolt	000435
42	Wing Nut, 1/4	000905
43	5/16 x 3/4 Truss Head Bolt	000210
44	Front Lid	400130
45	Nut, 5/16	000910
46	PTO Guard	400004
47	Jack Handle	500010
49	Bolt, 3/8 x 1	000270
50	PTO Stand	400070
52	Hitch Assembly	400894
53	Complete PTO Shaft	700200
54	Pin & Chain	500012
55a	Complete Jack	500009
55b	Complete Jack +	903317
58	Locknut, 1/4	003001
63	Jack Shaft	400045
64	Shaft Collar	400143
65	Bolt, 7/16 x 3-1/2	000361
66	Decal Kit, 80P	400247
68	Rubber T-Handle	400092
74	Bolt, 3/8 x 7-1/2	000340
75	5/16 Lock Washer, Zinc	000810
76	3/8 USS Flat Washer, Zinc	001035
78	5/8" SAE Flat Washer	001076
79	1/4" Nut	000900
80	1/4" Lockwasher	000805
81	1/4" USS Flatwasher	001020
82	1/4" x 3/4" Hex Bolt	000175

# 80P Left Rear

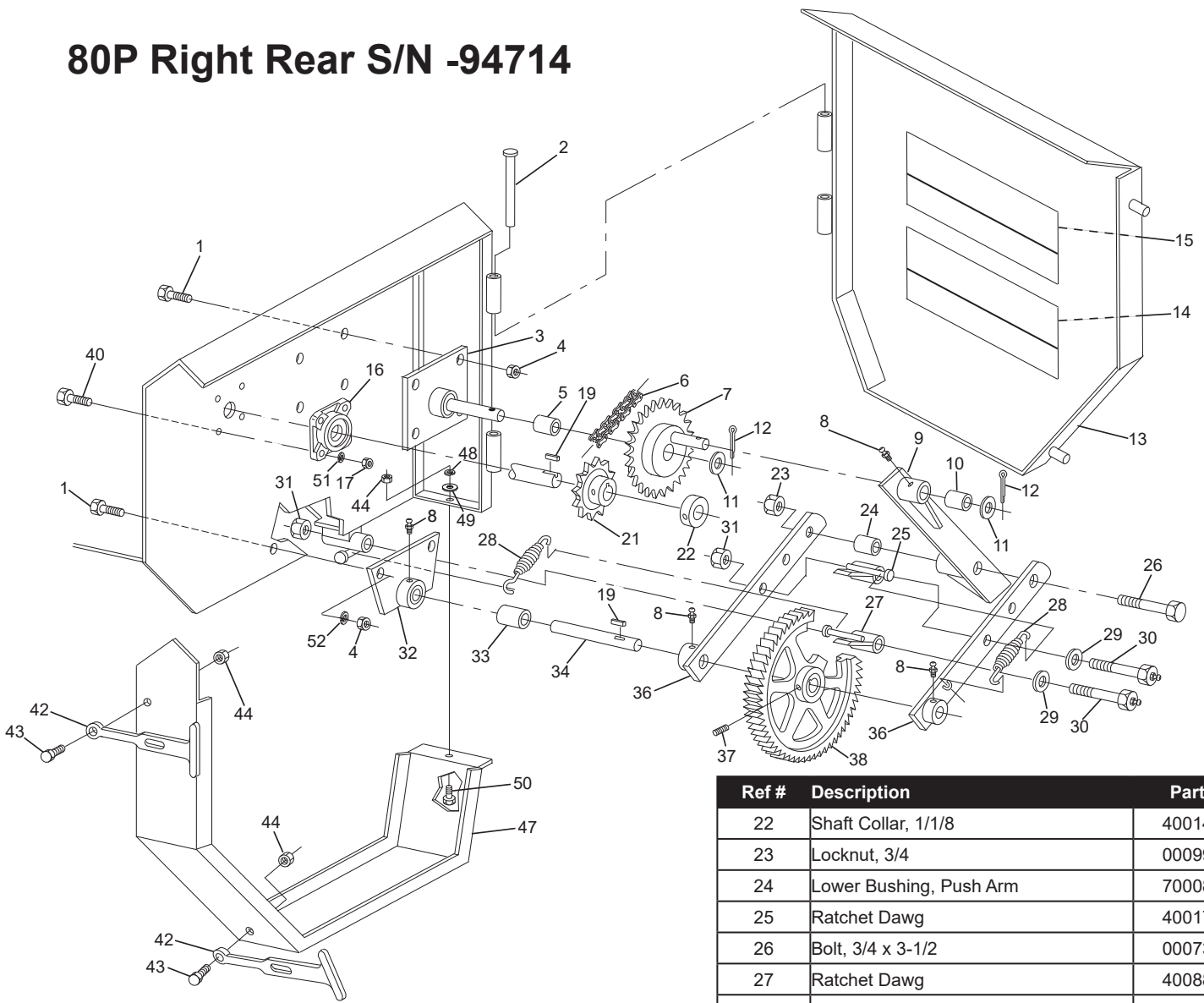
Note: ID #61 is no longer used in production as ID #18 now has a locking collar within it.



Ref#	Description	Part#
1	Bolt, 3/8 x 7/8	000250
2A	Beater Paddle, Right	401471
2B	Beater Paddle, Left	401470
3	Nut 3/8	000915
4	Beater Assembly	401081
5	Bolt, 7/16 x 1-1/2	000360
6	Bearing Bracket, Left	400182
8	Web Shaft	400886
9	Key, 1/4 x 1/4 x 1	400114
10A	Web Link	400086
10	Web Slat	400299
11	Set Screw, 1/2 x 5/8	001150
12	Web Sprocket, Rear	400108
13	Shaft Collar	400144
15	Rubber T-Handle	400092
16	Machine Screw, 5/16 x 3/4	000210
17	Nut, 5/16	000910
18	Beater Bearing	400104
19	Nut, 7/16	000935
21	Beater Sprocket	400105
23	Gearbox Shield	400158
24	Gearbox Chain	400107
26	Right Angle Gearbox	700234
27	Gearbox Sprocket	400891
31	Bolt, 1/4 x 2-1/2	000195
32	Caution Decal	400179
33	Drive Shaft Coupler	400113
35	Bolt, 1/4 x 7/8	000180
37	Web Bushing	400109
38	Web Bearing	400164

Ref#	Description	Part#
39	Grease Fitting	400118
40	Lock Washer, 3/8	000820
42	Drive Shaft Shield	400156
46	Locknut, 1/4	003001
47	Hub Seal	300030
48	Inner Bearing	300031
48A	Outer Bearing	300035
49	Inner Race	300032
50	Hub	300033
51	Outer Race	300034
52	Washer	300283
53	Castle Nut	300281
54	Cotter Pin, 1/8 x 2	300282
55	Dust Cap	300036
56	Complete Hub	300122
57	Wheel 15 x 6 - 6-Bolt	300284
58	Lug Bolt	300037
59	Tire, 9.5L x 15	300291
60	Bearing Bracket, Right	400183
61	Shaft Collar	400144
62	3/8-16 Nylon Lock Nut, Zinc	003000
63	5/16" Split Lock Washer	000830
64	7/16" Split Lock Washer	000810

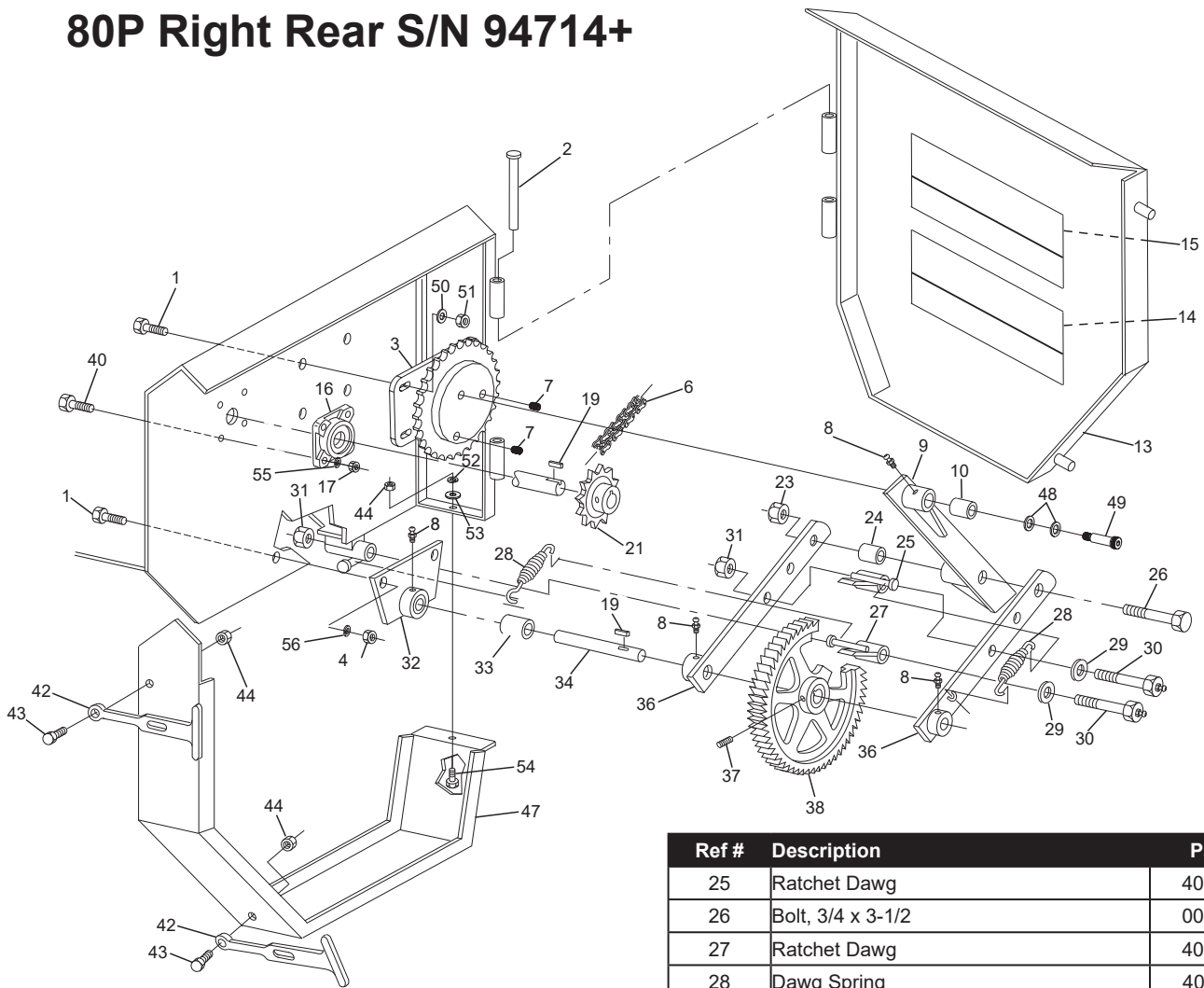
# 80P Right Rear S/N -94714



Ref #	Description	Part#
1	Bolt, 3/8 x 7/8	000250
2	Hinge Pin, Ratchet Shield	401523
3	Reduction Box Assembly	400166
4	Nut, 3/8	000915
5	Reduction Sprocket Bushing	400102
6	Reduction Chain	400106
7	Reduction Sprocket	400173
8	1/4-28 Spin-Drive Grease Zert	400117
9	Crank Arm Assembly	400169
10	Upper Bushing, Push Arm	700080
11	3/4" Machinery Bushing	400146
12	Cotter Pin, 3/16 x 1-1/4	400145
13	Ratchet Shield	400160
14	Caution Decal	400179
15	Warning Decal	400178
16	Beater Bearing	400104
17	Hex Nut, 7/16	000935
19	Key, 1/4 x 1/4 x 1-1/4	400115
21	Beater Sprocket	400105

Ref #	Description	Part#
22	Shaft Collar, 1/1/8	400144
23	Locknut, 3/4	000990
24	Lower Bushing, Push Arm	700080
25	Ratchet Dawg	400170
26	Bolt, 3/4 x 3-1/2	000730
27	Ratchet Dawg	400889
28	Dawg Spring	400116
29	Flat Washer, 1/2	001055
30	Zerk Bolt	400364
31	Locknut, 1/2	000950
32	Web Bearing	400164
33	Web Bushing	400109
34	Web Shaft	400886
36	Control Arm	400888
37	Set Screw, 3/8 x 7/8	003878
38	Ratchet Wheel	400099
40	Bolt, 7/16 x 1-1/2	000360
42	Rubber T-Handle	400092
43	5/16-18 X 3/4 Truss Head Bolt, Zinc	000210
44	Hex Nut, 5/16	000910
47	Inner Ratchet Guard	400134
48	5/16 Lock Washer, Zinc	000810
49	5/16 USS Flat Washer Zinc	001030
50	5/16-18 x 3/4 Carriage Bolt, Gr.5 Zinc	000121
51	7/16 Lock Washer, Zinc	000830
52	3/8 Lock Washer, Zinc	000820

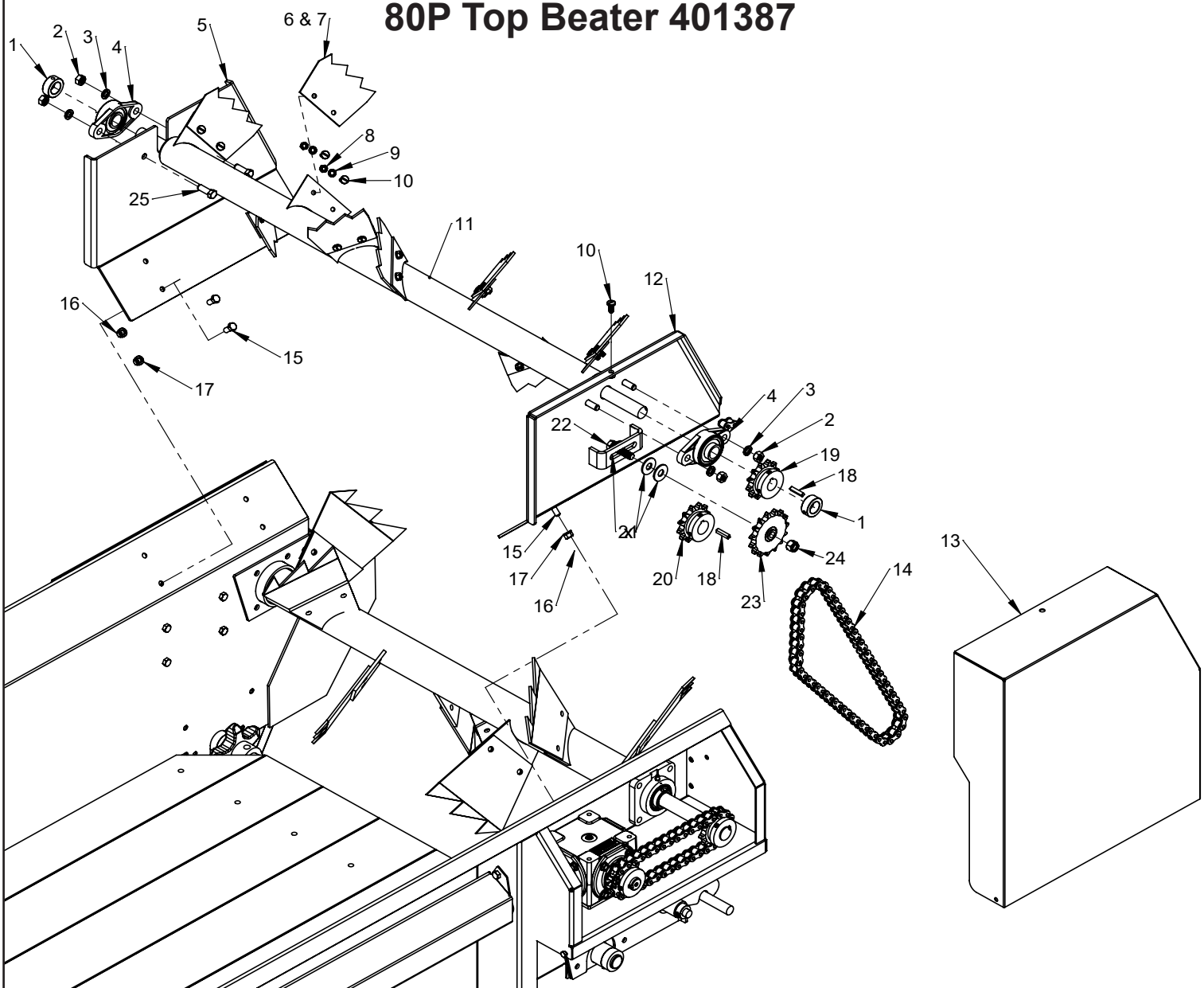
# 80P Right Rear S/N 94714+



Ref #	Description	Part#
1	Bolt, 3/8 x 1-1/4	000275
2	Hinge Pin, Ratchet Shield	401523
3	Timing Sprocket Assembly	403792
4	Nut, 3/8	000915
5	Reduction Sprocket Bushing	400102
6	Reduction Chain	400106
7	5/8-11 X 3/4" Natural Nylon Hex Cap Screw	403799
8	1/4-28 Spin-Drive Grease Zert	400117
9	Crank Arm Assembly	400169
10	Upper Bushing, Push Arm	700080
11	3/4" Machinery Bushing	400146
12	Cotter Pin, 3/16 x 1-1/4	400145
13	Ratchet Shield	400160
14	Caution Decal	400179
15	Warning Decal	400178
16	Beater Bearing	400104
17	Nut, 7/16	000935
19	Key, 1/4 x 1/4 x 1-1/4	400115
21	Beater Sprocket	400105
22	Shaft Collar, 1/1/8	400144
23	Locknut, 3/4	000990
24	Lower Bushing, Push Arm	700080

Ref #	Description	Part#
25	Ratchet Dawg	400170
26	Bolt, 3/4 x 3-1/2	000730
27	Ratchet Dawg	400889
28	Dawg Spring	400116
29	Flat Washer, 1/2	001055
30	Zerk Bolt	400364
31	Locknut, 1/2	000950
32	Web Bearing	400164
33	Web Bushing	400109
34	Web Shaft	400886
36	Control Arm	400888
37	Set Screw, 3/8 x 7/8	003878
38	Ratchet Wheel	400099
40	Bolt, 7/16 x 1-1/2	000360
42	Rubber T-Handle	400092
43	5/16-18 X 3/4 Truss Head Bolt, Zinc	000210
44	Nut, 5/16	000910
47	Inner Ratchet Guard	400134
48	3/4 x 1-1/4 Machinery Bushing, 10 Ga.	400146
49	3/4" x 2-1/4" Long Shoulder, 5/8" Thread	403794
50	3/8" Flat Washer	001035
51	3/8" Lock Nut	000820
52	5/16" Lock Washer	000810
53	5/16" USS Flat Washer	001030
54	5/16" x 3/4" Carriage Bolt, Gr. 5 Zinc	000121
55	7/16 Lock Washer, Zinc	000830
56	3/8 Lock Washer, Zinc	000820

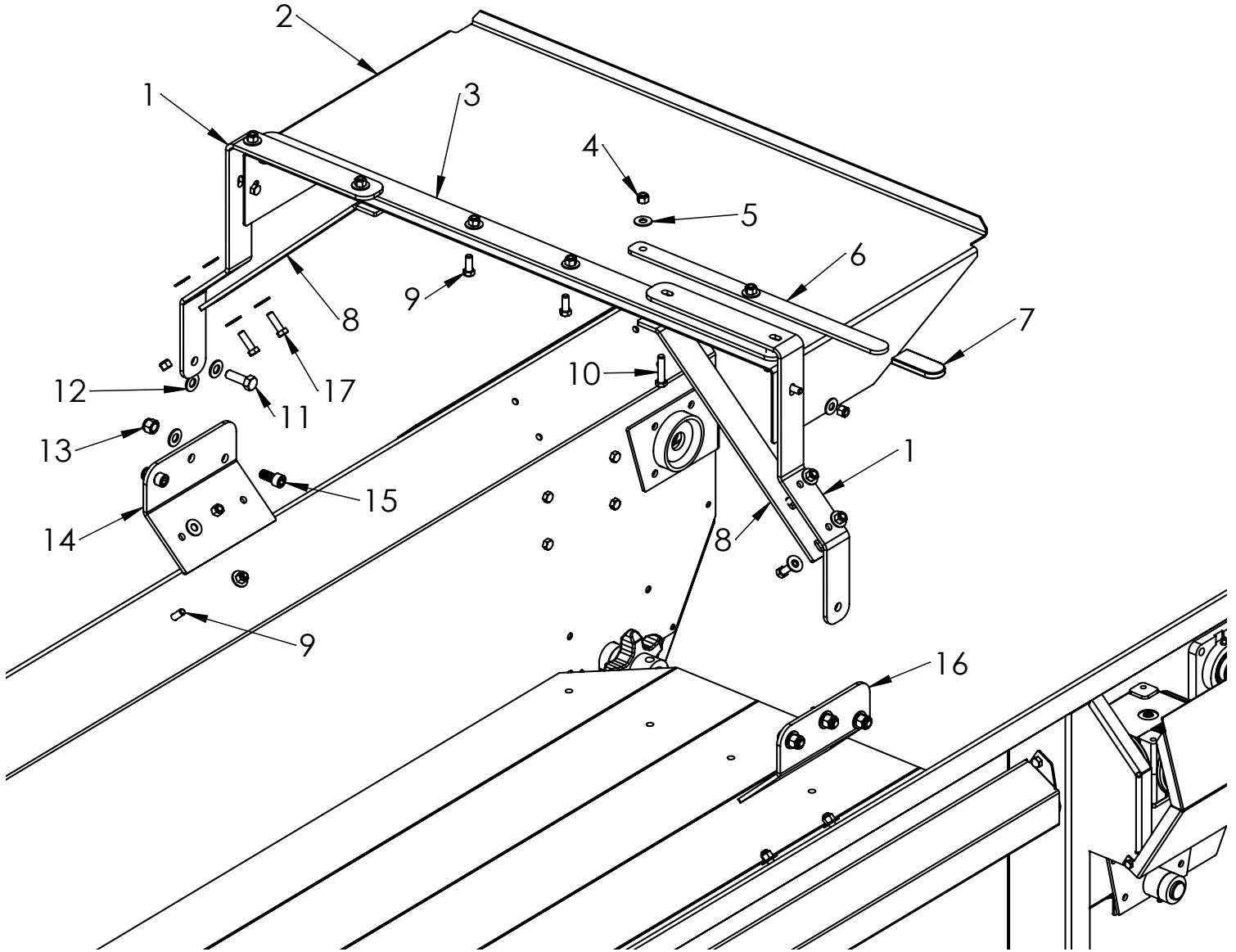
# 80P Top Beater 401387



Ref #	Description	Part#
1	1" Plated Shaft Collar	400143
2	7/16-14 Hex Nut, Gr. 5 Zinc	000935
3	7/16 Split Lock Washer Zinc	000830
4	1" 2 Bolt Flange Bearing	401294
5	Top Beater Mount, Right	401070
6	80P Top Beater Paddle	401088
7	7/16-14 x 1-1/4 Hed Head Bolt	000355
8	5/16-18 Hex Nut Gr.5 Zinc	000910
9	5/16 Lock Washer, Zinc	000810
10	5/16-18 x 3/4 Truss Head Bolt	000210

Ref #	Description	Part#
11	80P Top Beater Shaft Weldment	401381
12	Top Beater Mount Weldment, Left	401386
13	80P Top Beater Shield	401379
14	Top Beater Chain	401385
15	3/8-16 x 7/8 Hex Head Bolt	000250
16	3/8-16 Hex Nut Gr. 5	000915
17	3/8 Lock Washer, Zinc	000820
18	1/4 x 1-1/4 Key	400115
19	Gear Box Sprocket	400891
20	Beater Sprocket	400105
21	1/2 USS Flat Washer, Zinc	001055
22	1/2-13 x 2 Hex Head Bolt, Gr. 5	000452
23	Idler Sprocket	400399
24	1/2" Nylock Locknut	000950
25		

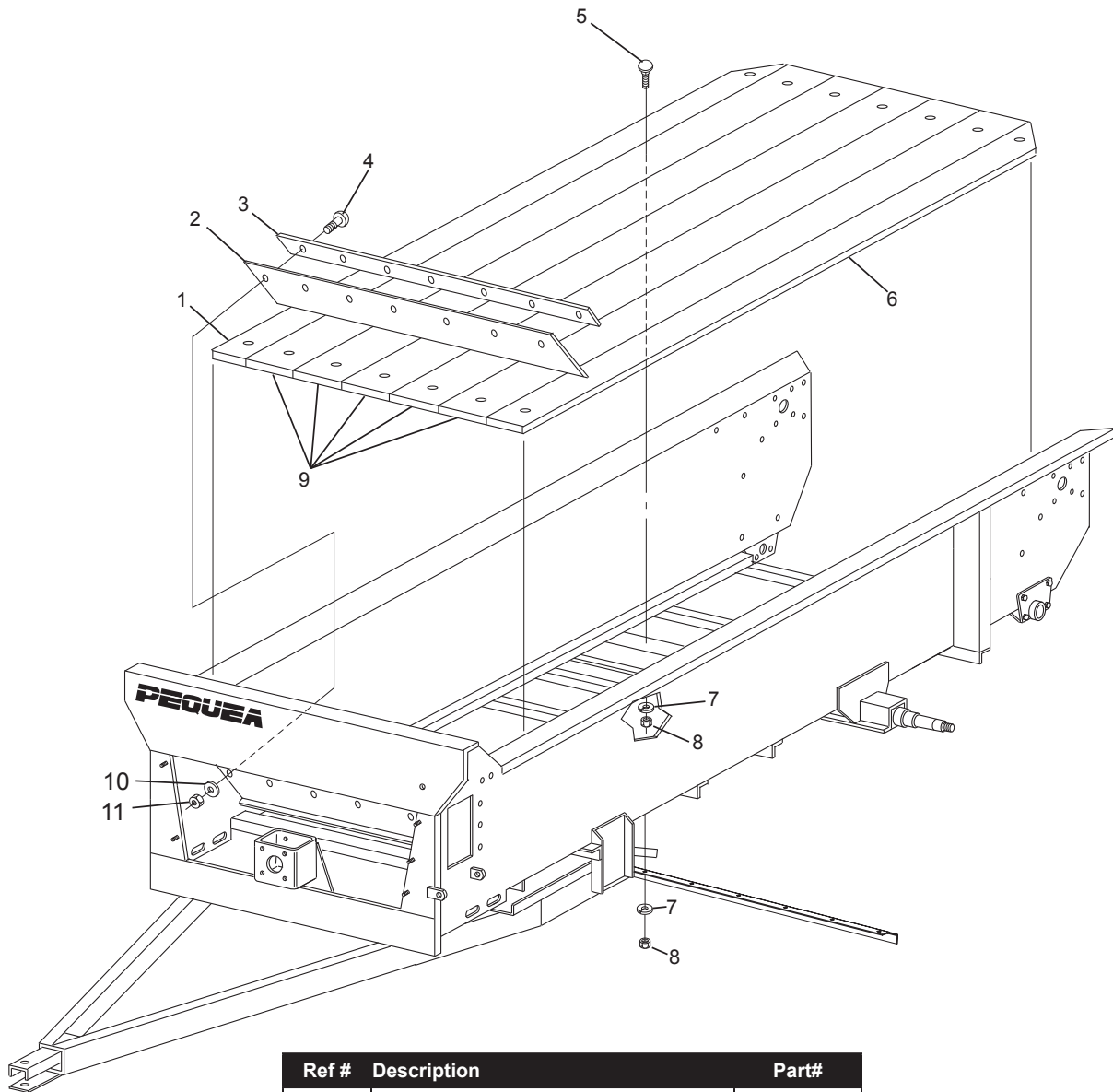
# 80P Endgate (MSEG80)



Ref #	Description	Part#
1	50/80 Manual Endgate Arm	401880
2	80 Endgate Panel	401843
3	80 Rear Endgate Panel Support	401849
4	3/8-16 Nylon Lock Nut, Zinc	003000
5	3/8 USS Flat Washer, Zinc	001035
6	Endgate Handle	401157
7	Rubber Handle Cover	401289
8	80P Endgate Brace	401845
9	3/8-16 x 1 Hex Head Bolt, Gr. 5	000270

Ref #	Description	Part#
10	3/8-16 x 1-3/4 Hex Head Bolt	000285
11	1/2-13 x 1 1/2 Hex Head Bolt	000435
12	1/2 SAE Flat Washer Zinc	001061
13	1/2 Nylock Locknut	000950
14	MS Endgate Bracket, Right	401156
15	1/2-13 x 1 Socket Head Bolt	000404
16	MS Endgate Bracket, Left	401152
17	3/8-16 x 1 1/4 Hex Head Bolt	000275

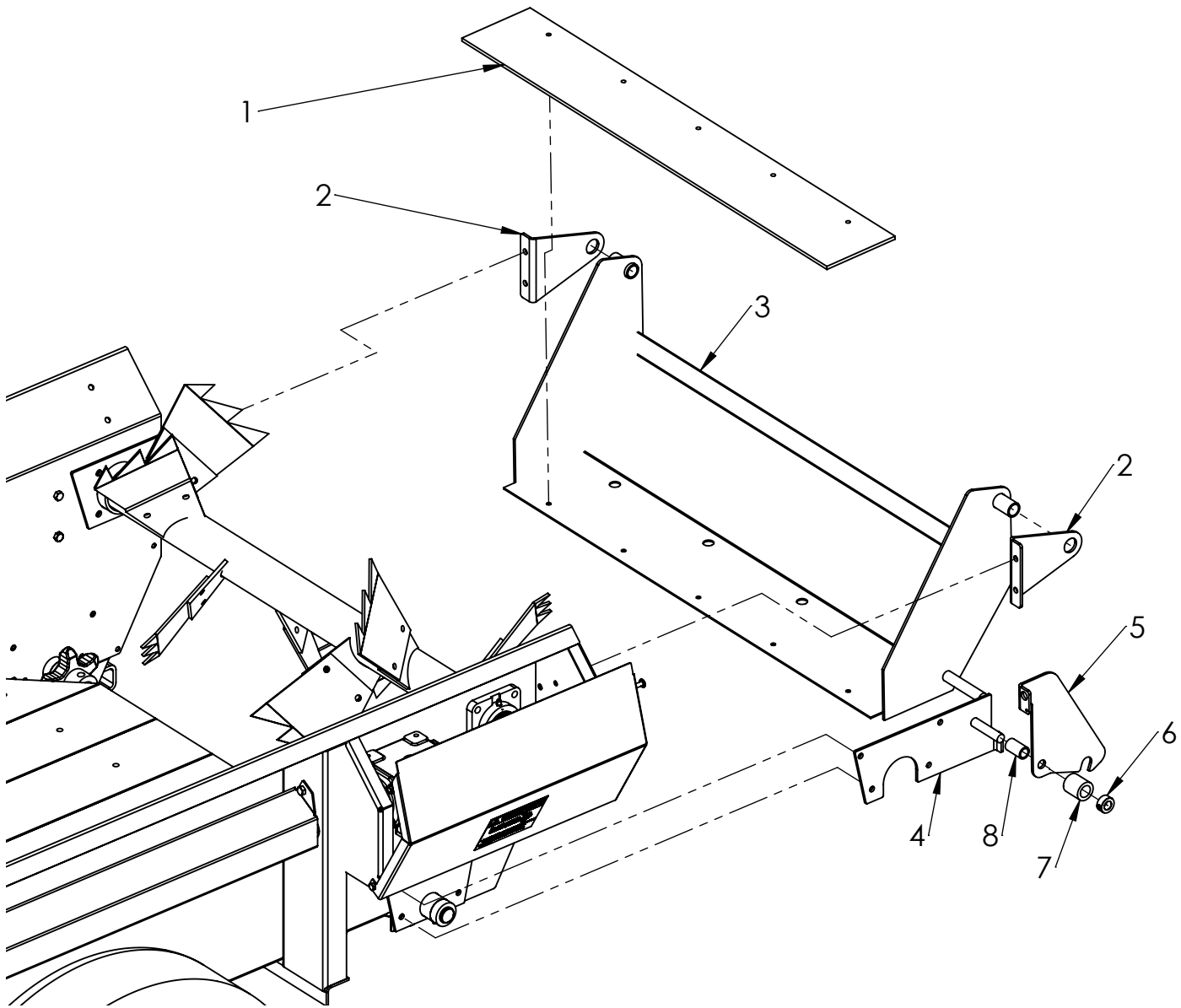
# 80P Floor



Ref #	Description	Part#
1	Right Floor Board	401049
2	Rubber Strip	400554
3	Rubber Strip Clamp	400569
4	Bolt, 5/16 x 1	000221
5	3/8-16 X 1-1/2" Carriage Bolt, Gr.5 Zinc	000151
6	Left Floor Board	401048
7	Lock Washer, 3/8	000820
8	Nut, 3/8	000915
9	Middle Floor Boards	401047
10	Flat Washer, 5/16	001030
11	Nut, 5/16	000910
12	Floating Floor Hold Down	401296

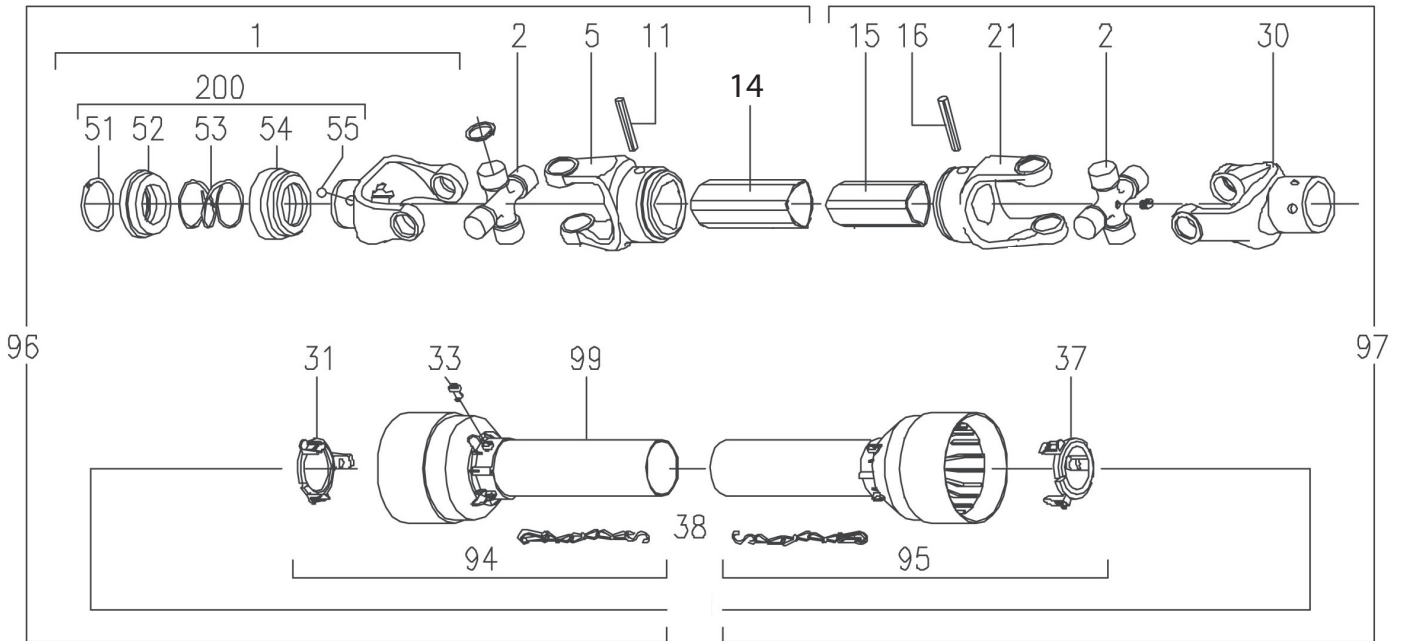


# 80P Fine Spread Pan



Ref #	Description	Part#
1	Rubber Belt (39")	400506
2	Fine Spread Pan Mount	401039
3	Fine Spread Pan Weldment	401341
4	Mounting Bracket, Latch Hinge	401020
5	Latch	401021
6	.625 Plated Shaft Collar	400856
7	Housing, Crank Arm	700078
8	Bronze Bushing, Crank Arm	700081

# 80P PTO Shaft



Ref #	Description	Part#
1	Complete Collar Yoke C12	700218
2	Cross Journal Kit	700220
5	Outer Yoke	700219
11	Roll Pin	700224
14	Outer Tube	700206
15	Inner Tube	700207
16	Roll Pin	700209
21	Inner Yoke	700204
30	Implement Yoke	700202
31	Outer Guard Retaining Collar	700229
33	Plastic Locking Bolt	700230
37	Inner Guard Retaining Collar	700214

Ref #	Description	Part#
38	Safety Chain	700213
51	Outer Circle Clip	700210
52	Sliding Sleeve Collar	700211
53	Spring	700212
54	Fixed Sleeve	700221
55	1/2" Ball	700222
94	Outer Guard Complete	700225
95	Inner Guard Complete	700217
96	Complete Front Half	700231
97	Complete Rear Half	700201
200	Collar Kit	700856
	Set Screw, 3/8 x 3/8	001130
98	PTO Shield Kit, Bondioli Shafts Only	700205