

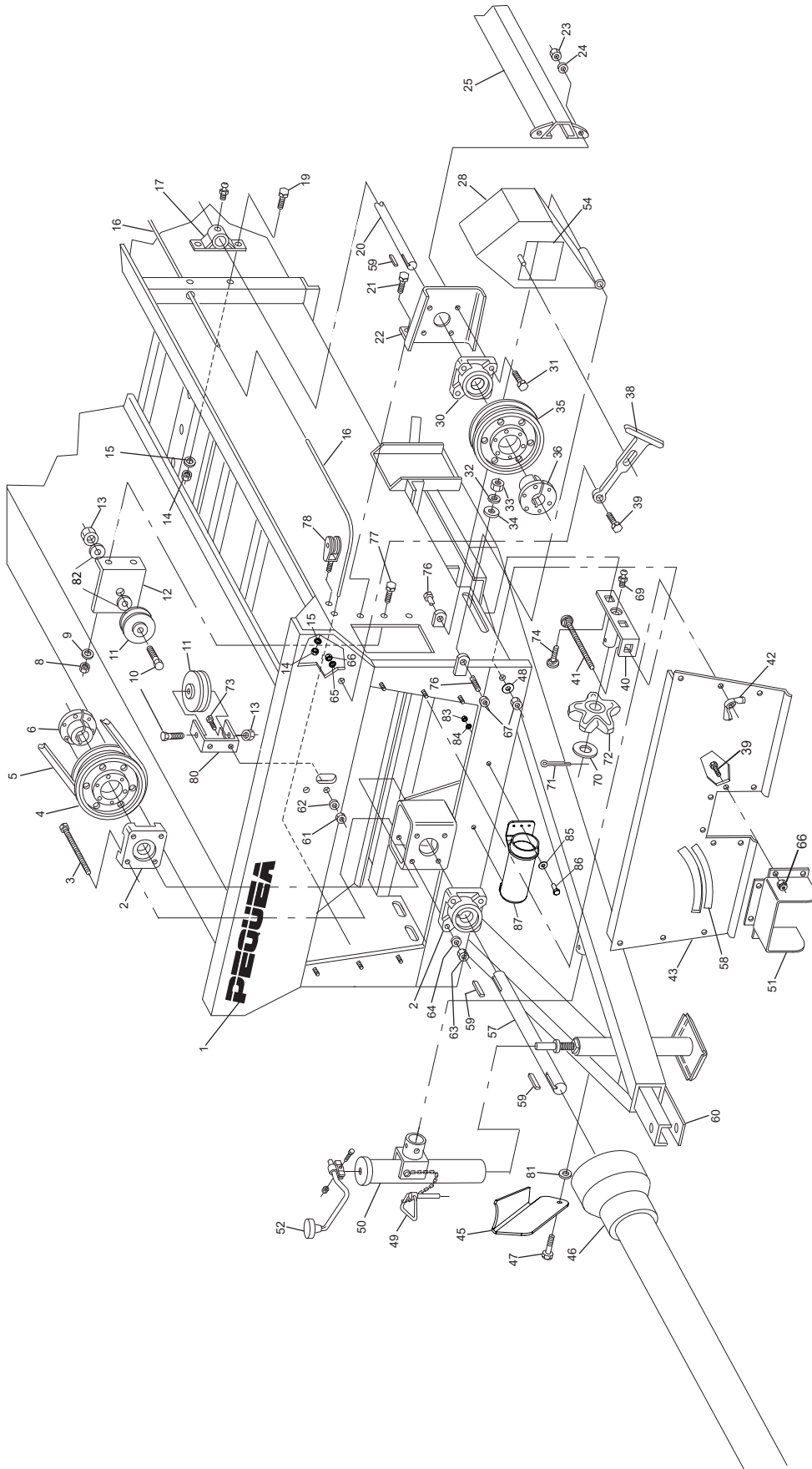


250P Manure Spreader

Illustrated Parts Breakdown

Page 1-2	Complete Front End
Page 3	PTO/Jack/Hitch Assembly
Page 4	Front Pulley Assembly
Page 5	Idler Pulley Assembly
Page 6	Driveshaft/Side Pulley Assembly
Page 7	Widespread Shaft Assembly
Page 8	Web Chain, Sprocket and Idler
Page 9	Gearbox Shield
Page 10	Endgate Assembly
Page 11	Shifter
Page 12	Floor
Page 13	Top Beater
Page 14	PTO Shaft
Page 15	Fine Spread Pan
Page 16-17	Gearbox Assembly
Page 18	Single Axle
Page 19	Tandem Axle Assembly
Page 20	Truck Tire Tandem Axle Assembly

250P Front End

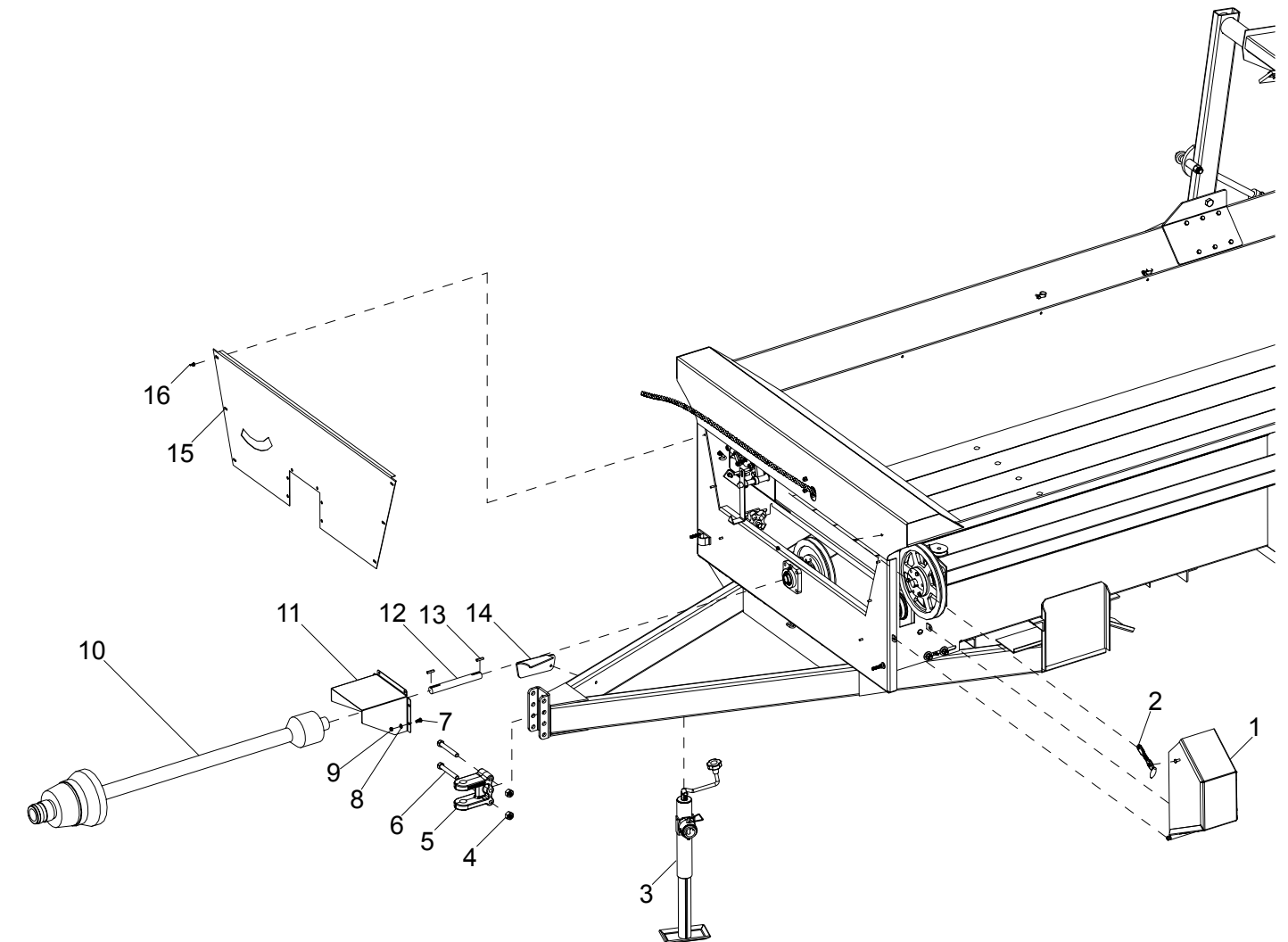


250P Front End

Ref#	Description	Part#
1	Decal Kit, 250P	401732
2	4-Hole Flange Bearing	400104
3	Bolt, 7/16 x 3-1/2	000361
4	Front Pulley	401553
5	Belt, CP-98	403379
6	Pulley Hub	400801
8	Nut, 1/2	000940
9	Lock Washer, 1/2	000840
10	Bolt, 5/8 x 3	010019
11	Idler Pulley	400103
12	Mounting Bracket, Idler Pulley	400067
13	Locknut, 5/8	000972
14	Nut, 3/8	000915
15	Lock Washer, 3/8	000820
16	250P Shifter Cable	420079
17	Pillow Block Bearing	401690
19	Bolt, 3/8 x 1	000270
20	250P Driveshaft	420015
21	Bolt, 1/2 x 1	000405
22	Mounting Bracket, Side Pulley	400785
23	Nut, 1/2	000940
24	Lock Washer, 1/2	000840
25a	Drive Shaft Shield S/N -284	420041
26b	Drive Shaft Shield S/N 284+	420126
28	Side Pulley Shield	401591
30	4-Bolt Flange Bearing	400798
31	1/2-13 X 1-1/2 HH Bolt, Gr.5 Zinc	000435
32	Lock Washer, 1/2	000840
33	Nut, 1/2	000940
34	1/2" USS Flat Washer	001055
35	Side Pulley	401572
36	Pulley Hub	400797
38	Rubber T-Handle	400092
39	5/16-18 X 3/4 Truss Head Bolt,	000210
40	Web Idler Bracket	401079
41	Carriage Bolt, 3/8 x 8	000148
42	Wing Nut, 1/4	000905

Ref#	Description	Part#
45	PTO Stand	400070
46	Complete PTO Shaft	400715
47	Bolt, 3/8 x 3	000307
48	3/8" USS Flat Washer	001035
49	Pin & Chain	500012
50	Complete Jack	500009
51	PTO Guard	400795
52	Jack Handle w/ Bolt	500010
54	Warning Decal	400178
57	Jack Shaft	400792
58	Locator Decal	400820
59	Key, 1/4 x 1/4 x 1-1/4	400115
60	Clevis Coupler	401543
61	Nut, 3/8	000915
62	Lock Washer, 3/8	000820
63	Nut, 7/16	000935
64	Lock Washer, 7/16	000830
65	Lockwasher, 5/16	000810
66	Nut, 5/16	000910
67	Locknut, 3/8	003000
69	Grease Fitting	400117
	3/4 X 1-1/4 Machinery Bushing, 14Ga. Zinc	400148
71	Cotter Pin, 5/32 x 1-1/2	001215
72	Front Web Sprocket	400098
73	Bolt, 3/8 x 7/8	000250
74	Carriage Bolt, 1/2 x 1-1/2	000155
76	Bolt, 3/8 x 7-1/2	000340
77	Bolt, 1/2 x 1-1/4	000420
78	Cable Pulley	400805
80	Pulley Bracket Assembly	400778
81	3/8" Fender Washer	001105
82	5/8" USS Flatwasher	001075
83	1/4" Nut	000900
84	1/4" Lockwasher	000805
85	1/4" USS Flatwasher	001020
86	1/4" x 3/4" Hex Bolt	000175

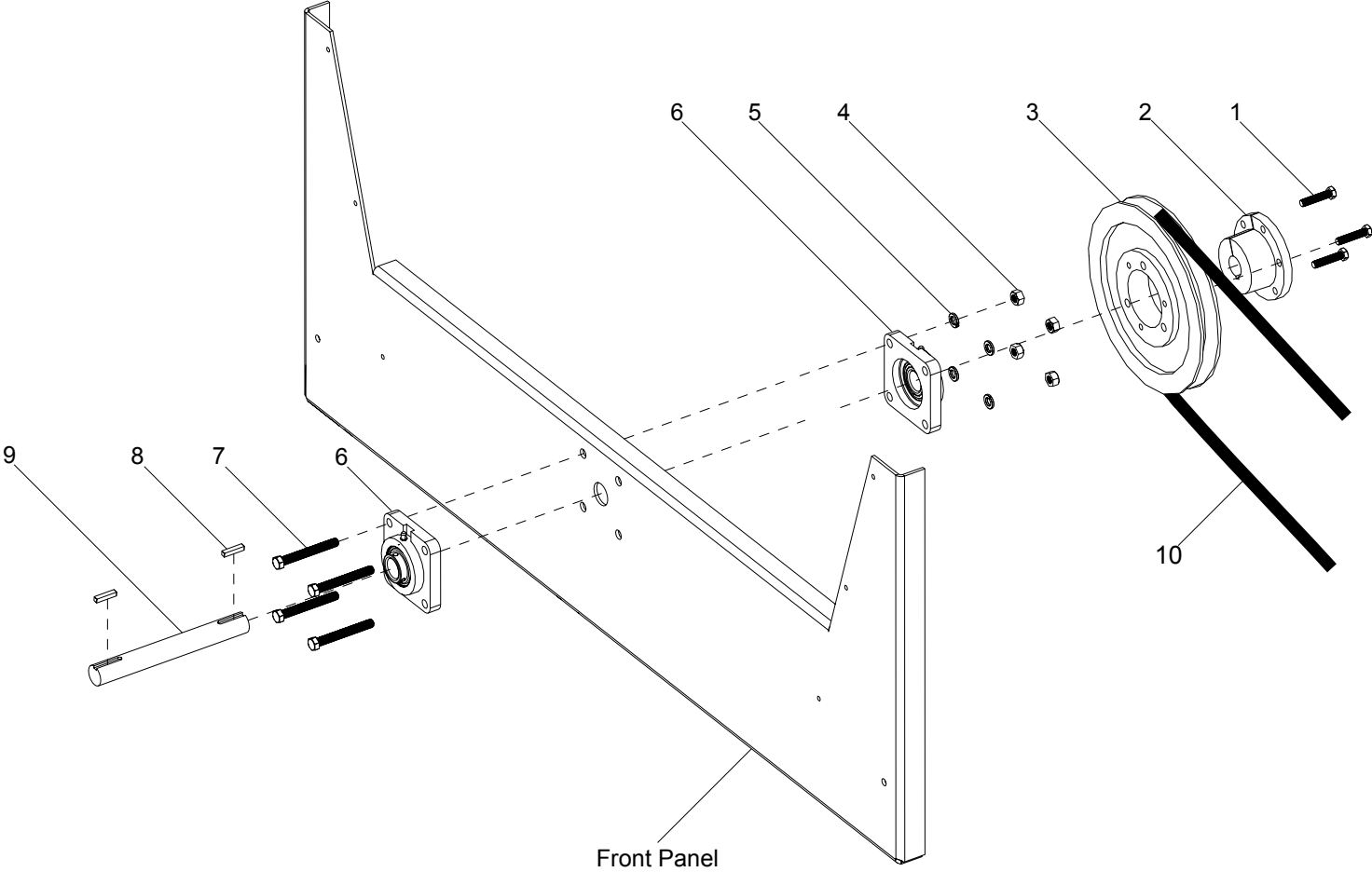
PTO/Jack/Hitch



Ref#	Description	Part#	Qty
1	Side Pulley Shield Assembly	401591	1
2	Rubber Handle	400092	1
3	2K Top Wind Jack	903317	1
4	5/8"-11 Hex Nut	100079	2
5	3 Hole Clevis Coupler	507018	1
6	5/8"-11 x 4.5 Hex Head Bolt	000645	2
7	5/16"-18 x 3/4" Truss Head Bolt	000210	6
8	5/16" Lock Washer	000810	6

Ref#	Description	Part#	Qty
9	5/16"-18 Hex Head Nut	000910	6
10	Complete PTO Shaft	400715	1
11	PTO Shield	400795	1
12	Drive Shaft	400792	1
13	1/4" x 1-1/4" Key	400115	2
14	PTO Stand	400070	1
15	Front Lid	420040	1
16	1/4" Wing Nut	000905	6

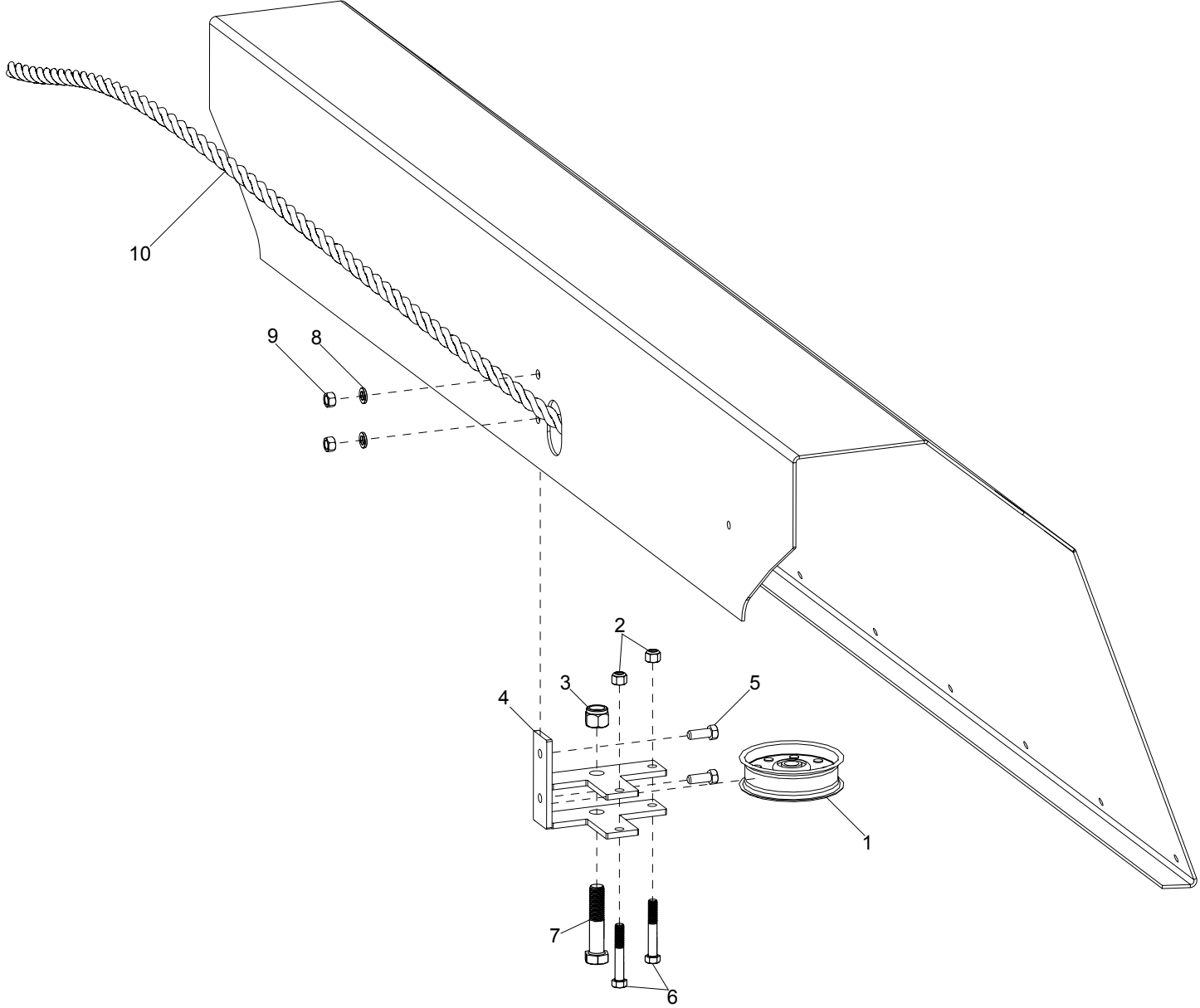
Front Pulley Assembly



Ref#	Description	Part#	Qty
1	3/8"-16 x 1-3/4" Hex Head Bolt	000285	3
2	Front Pulley Hub	400801	1
3	Front Pulley	401553	1
4	7/16"-14 Hex Nut	000935	4
5	7/16 Split Lock Washer	000830	4

Ref#	Description	Part#	Qty
6	1-1/8" 4 Hole Flange Bearing	400104	2
7	7/16"-14 x 1-1/2" Hex Head Bolt	000361	4
8	1/4" x 1-1/4" Key	400115	2
9	Drive Shaft	400792	1
10	Main Drive Belt	403379	1

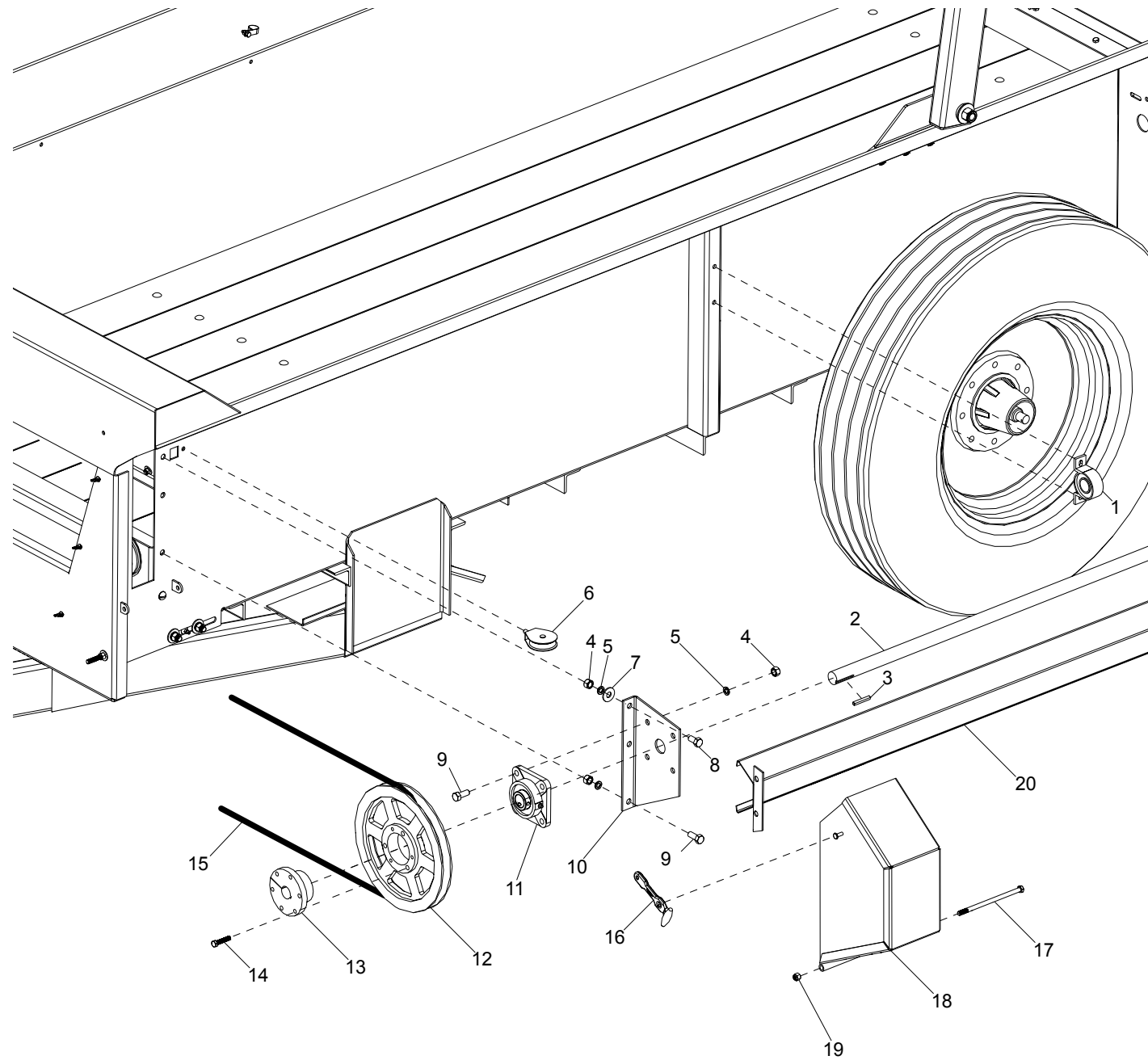
Idler Pulley Assembly



Ref#	Description	Part#	Qty
1	Idler Pulley	400103	1
2	3/8"-16 Nylon Lock Nut	003000	2
3	5/8"-11 Nylon Lock Nut	000972	1
4	Pulley Bracket Assembly	400778	1
5	3/8"-16 x 1"	000270	2

Ref#	Description	Part#	Qty
6	3/8"-16 x 3" Hex Head Bolt	000307	2
7	5/8"-11 x 3" Hex Head Bolt	010019	1
8	3/8" Split Lock Washer	000820	2
9	3/8"-16 Hex Nut	000915	2
10	3/8" Nylon Rope	400806	Length

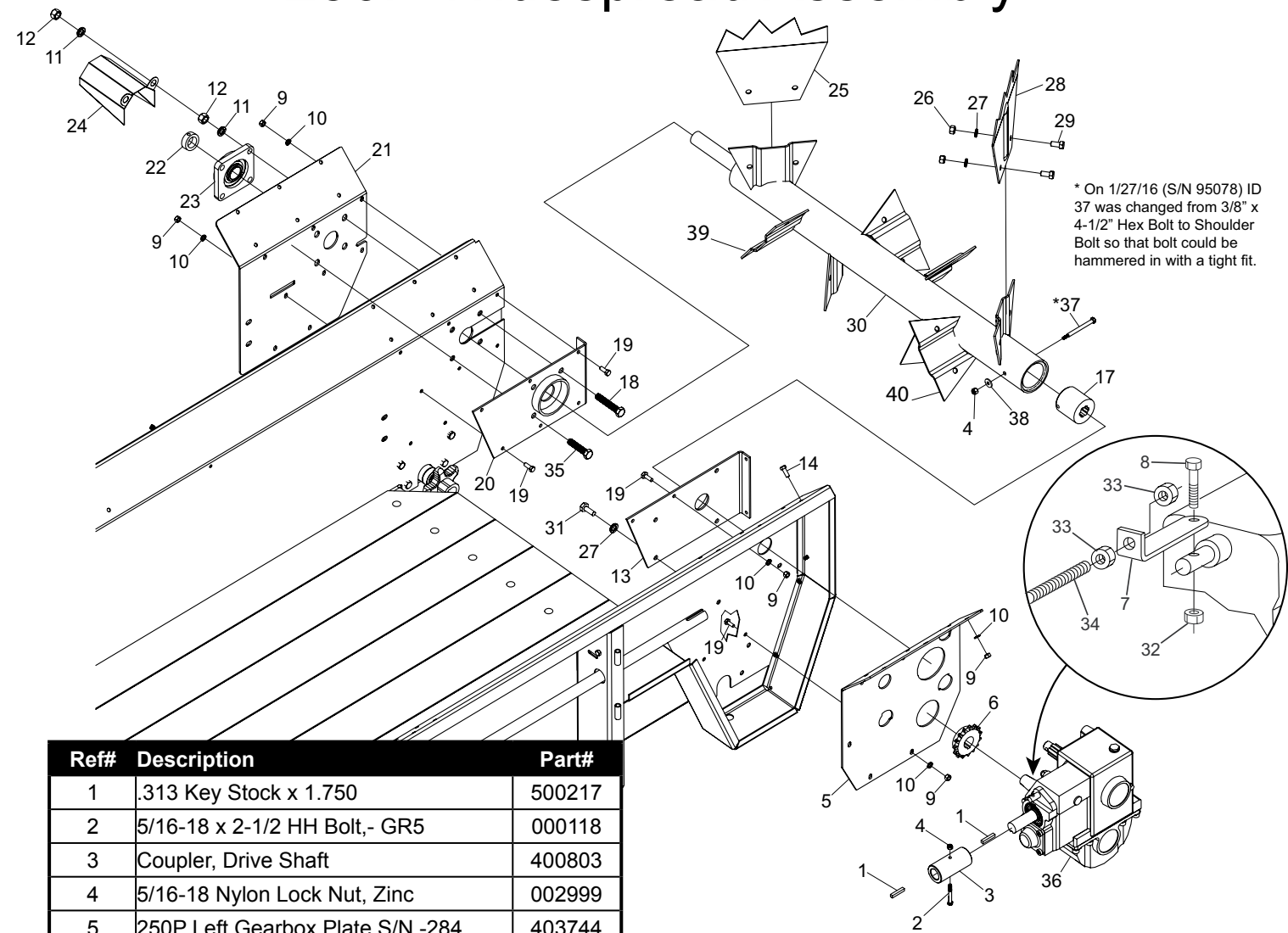
Drive Shaft/Side Pulley Assembly



Ref#	Part #	Description	Qty
1	420015	1.25" Bearing Housing	1
2	401564	Drive Shaft	1
3	400587	1/4" x 2" Key	1
4	000940	1/2"-13 Hex Nut	7
5	000840	1/2" Split Lock Washer	7
6	400805	Small Pulley	1
7	001055	1/2" USS Flat Washer	2
8	000405	1/2-13 x 1 HHB	2
9	000420	1/2"-13 x 1.25" HHB	5
10	400785	Side Pulley Bracket	1

ID	Part #	Description	Qty
11	400798	1.25" 4 Bolt Flange Bearing	1
12	401572	Side Pulley	1
13	400797	Hub, Side Pulley	1
14	000285	3/8"-16 x 1-3/4" HHB	3
15	403379	Predator Belt, CP-98	1
16	400092	Rubber Handle	1
17	000340	3/8"-16 x 7-1/2" HHB	1
18	401591	Side Pulley Shield	1
19	003000	3/8"-16 Nylon Lock Nut	1
20a	420041	Drive Shaft Shield S/N -284	1
20b	420126	Drive Shaft Shield S/N 284+	1

250P Widespread Assembly

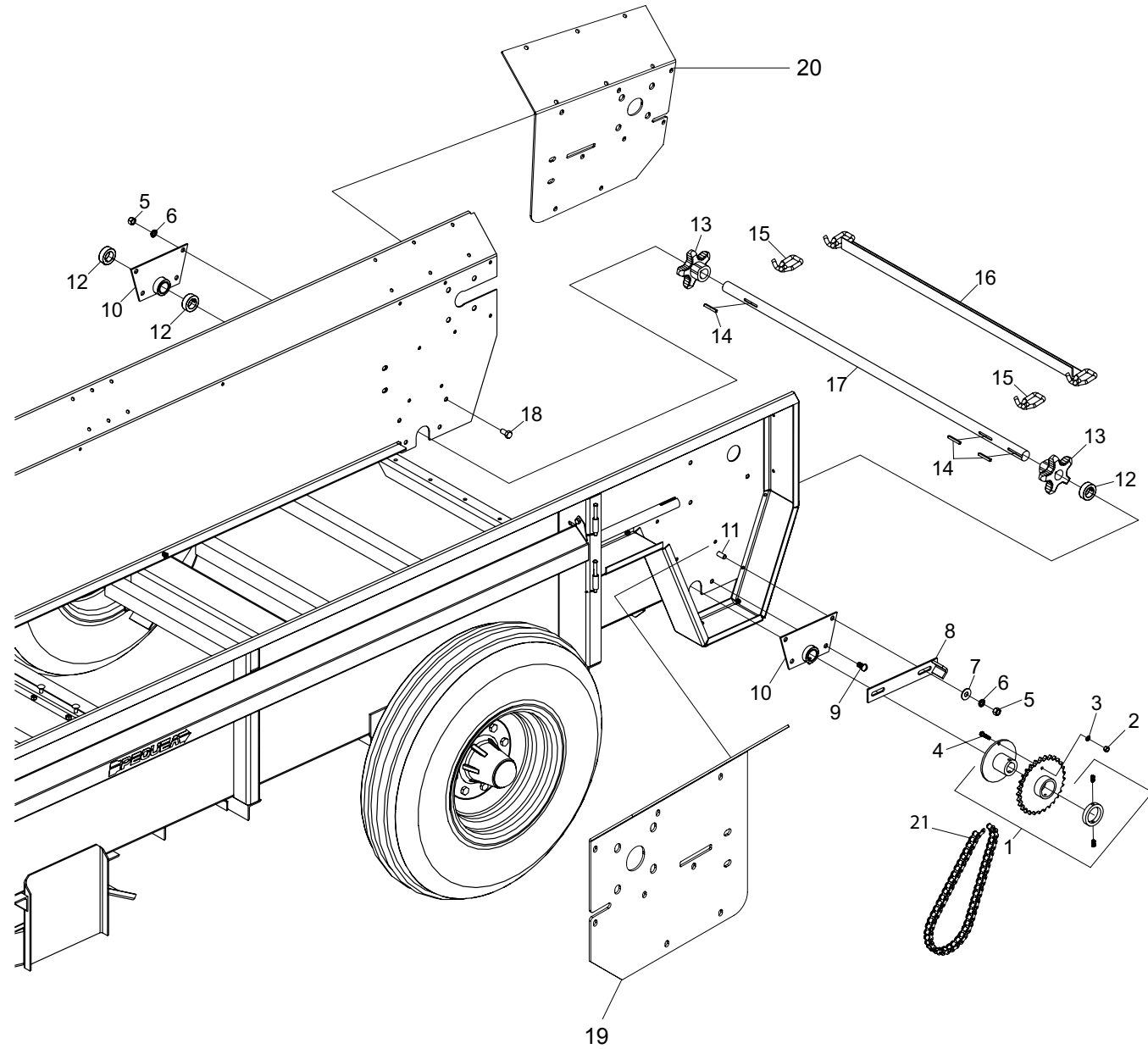


* On 1/27/16 (S/N 95078) ID 37 was changed from 3/8" x 4-1/2" Hex Bolt to Shoulder Bolt so that bolt could be hammered in with a tight fit.

Ref#	Description	Part#
1	.313 Key Stock x 1.750	500217
2	5/16-18 x 2-1/2 HH Bolt, - GR5	000118
3	Coupler, Drive Shaft	400803
4	5/16-18 Nylon Lock Nut, Zinc	002999
5	250P Left Gearbox Plate S/N -284	403744
6	1-3/8" Bore 15 Tooth Drive Sprocket	400807
7	Gear Shifting Cable Bracket	401348
8	1/4-20 x 1-1/4 HH Bolt, - GR 5	000184
9	3/8-16 Hex Nut, Gr.5 Zinc	000915
10	3/8 Lock Washer, Zinc	000820
11	9/16 Lock Washer, Zinc	000850
12	9/16-12 Hex Nut, Gr.5 Zinc	000965
13	250P Widespread Bearing Bracket	400691
14	3/8" x 7/8" Hex Head Bolt	000250
15	3/8-16 Nylon Lock Nut, Zinc -S/N95078	003000
16	3/8" x 4-1/2" Hex Head Bolt -S/N95078	000325
17	Widespread Pipe Splined Hub	403784
18	9/16-12 x 2-1/2 Hex Head Bolt	000602
19	3/8-16 x 1 Hex Head Bolt, Gr.5 Zinc	000270
20	250P Widespread Bracket	400688
21	250P Left Gearbox Plate S/N -284	403743
22	1.500 Plated Shaft Collar	101044
23	1-1/2" 4 Hole Flange Bearing	400810

Ref#	Description	Part#
24	Widespread Shaft Shield	401329
25	Widespread Paddle, Right	401571
26	1/2-13 Hex Nut, Gr.5 Zinc	000940
27	1/2 Lock Washer, Zinc	000840
28	Widespread Paddle, Left	400790
29	1/2-13 x 1 Hex Head Bolt, Gr.5 Zinc	000405
30	Widespread Shaft Assembly, -250P	420024
31	M12-1.75 x 30 Hex Head Bolt, Zinc	002530
32	1/4-20 Nylon Lock Nut, Zinc	003001
33	5/16 Fine Thread Hex Nut Zinc	001115
34	Gear Shifting Cable	420079
35	9/16-12 x 2 Hex Head Bolt	000578
36	Gear Box	400100
37	3/8" x 4" Shoulder Bolt 5/16" Thread	403805
38	5/16 USS Flat Washer Zinc	001030
39	Mounting Bracket, Right Paddle	401640
40	Mounting Bracket, Left Paddle	401547

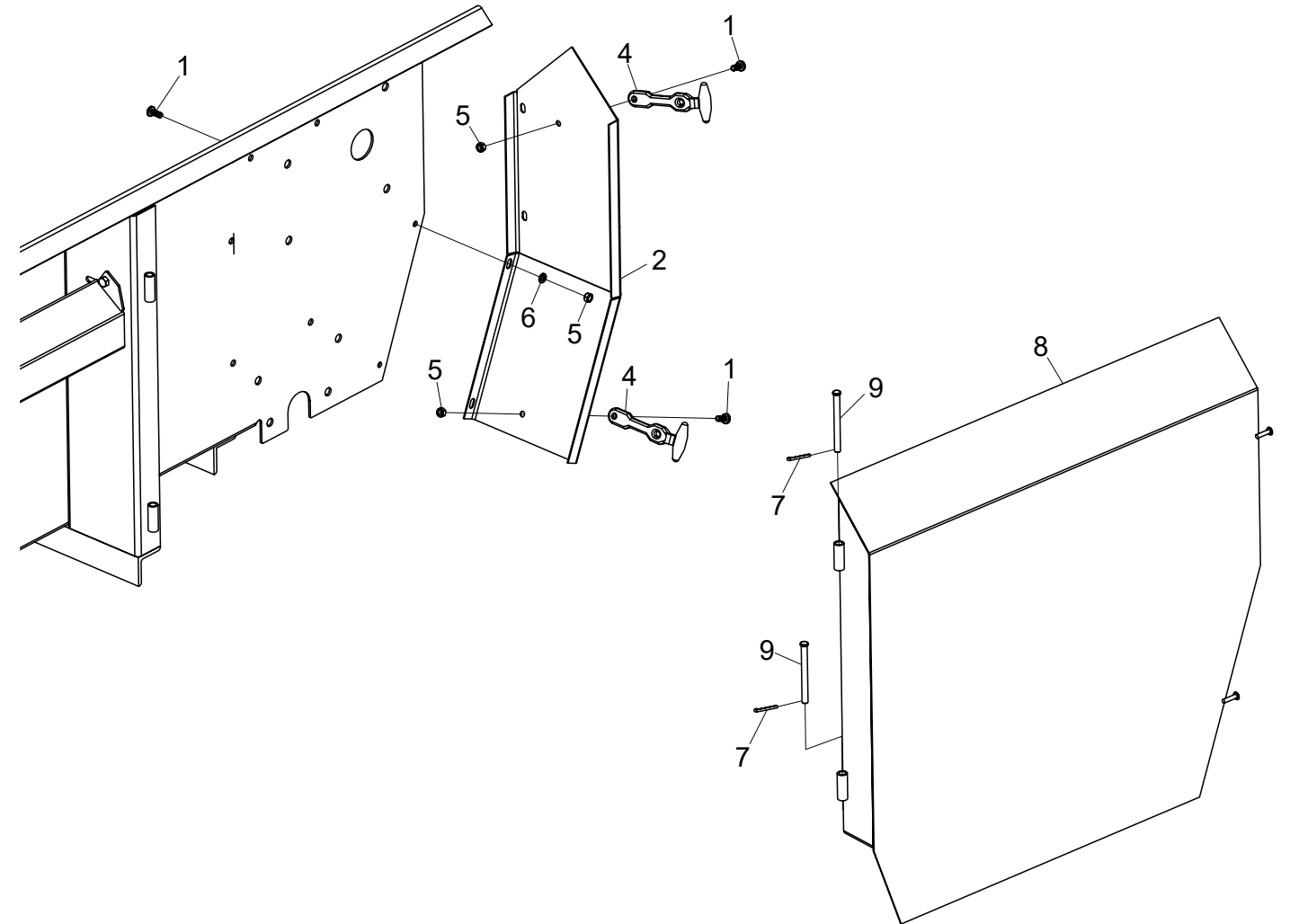
250P Web Chain, Sprocket and Idler



Ref#	Description	Part#
1	Ø 1.25 6029 Bore Sprocket	400808
2	5/16-18 Hex Nut, Gr.5 Zinc	000910
3	5/16 Lock Washer, Zinc	000810
4	5/16 x 1-1/4 Hex Head Bolt, Gr.5	000230
5	1/2-13 Hex Nut, Gr.5 Zinc	000940
6	1/2 Lock Washer, Zinc	000840
7	1/2 USS Washer, Zinc	001055
8	Web Chain Idler Assembly	400712
9	1/2" x 1" Truss Head Bolt	000540
10	Web Bearing Weld Assembly	400694
11	1/2-13 x 1-1/4 Hex Head Bolt,	000420

Ref#	Description	Part#
12	1.250 Plated Shaft Collar	401476
13	250P Rear Web Sprocket	400944
14	.250 Key Stock x 2.000	400587
15	#67 T-Rod Link,- (Black)	400086
16	250P Web Slat Weldment	420048
17	Web Shaft, 1-1/4" x 51-3/4"	420016
18	1/2"x 1" Hex Head Bolt	000405
19	250P Rear Left Plate S/N -284	403744
20	250P Rear Right Plate S/N -284	403743
21	Web Chain	400809

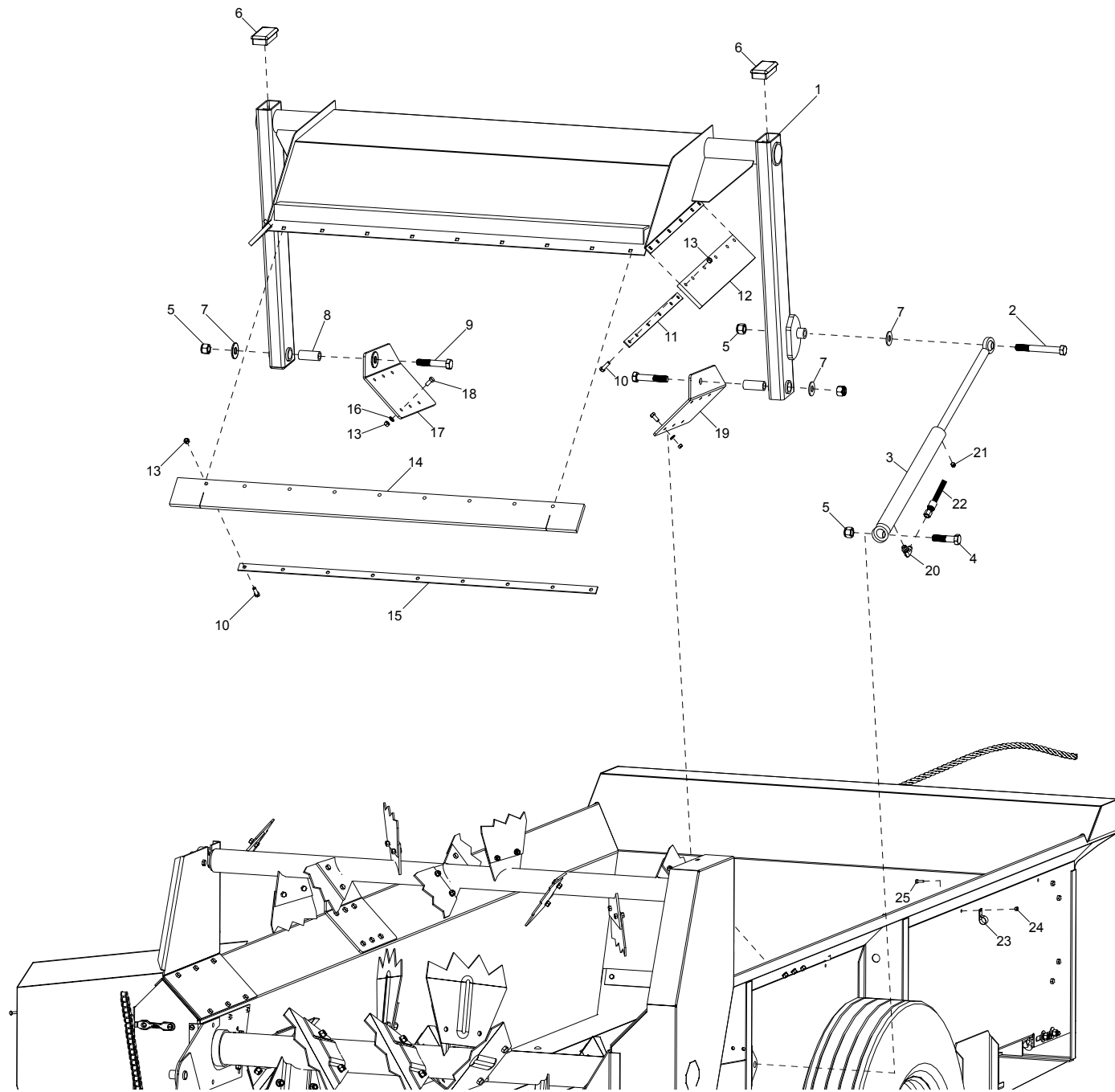
250P Gearbox Shield



Ref#	Description	Part#
1	5/16-18 x 3/4 Truss Head Bolt, Zinc	000210
2	250P GB Shield Support	420094
3	5/16-18 x 1 Truss Head Bolt	000810
4	Rubber Latch	400092
5	5/16-18 HH Nut Zinc	000910

Ref#	Description	Part#
6	5/16 Lock Washer, Zinc	000810
7	1/8 x 1 Cotter Pin Zinc	001215
8a	250P Gearbox Shield Sv/N 284+	420120
8b	250P Gearbox Shield S/N -284	420058
9	3/8" x 4" Hinge Pin	401523

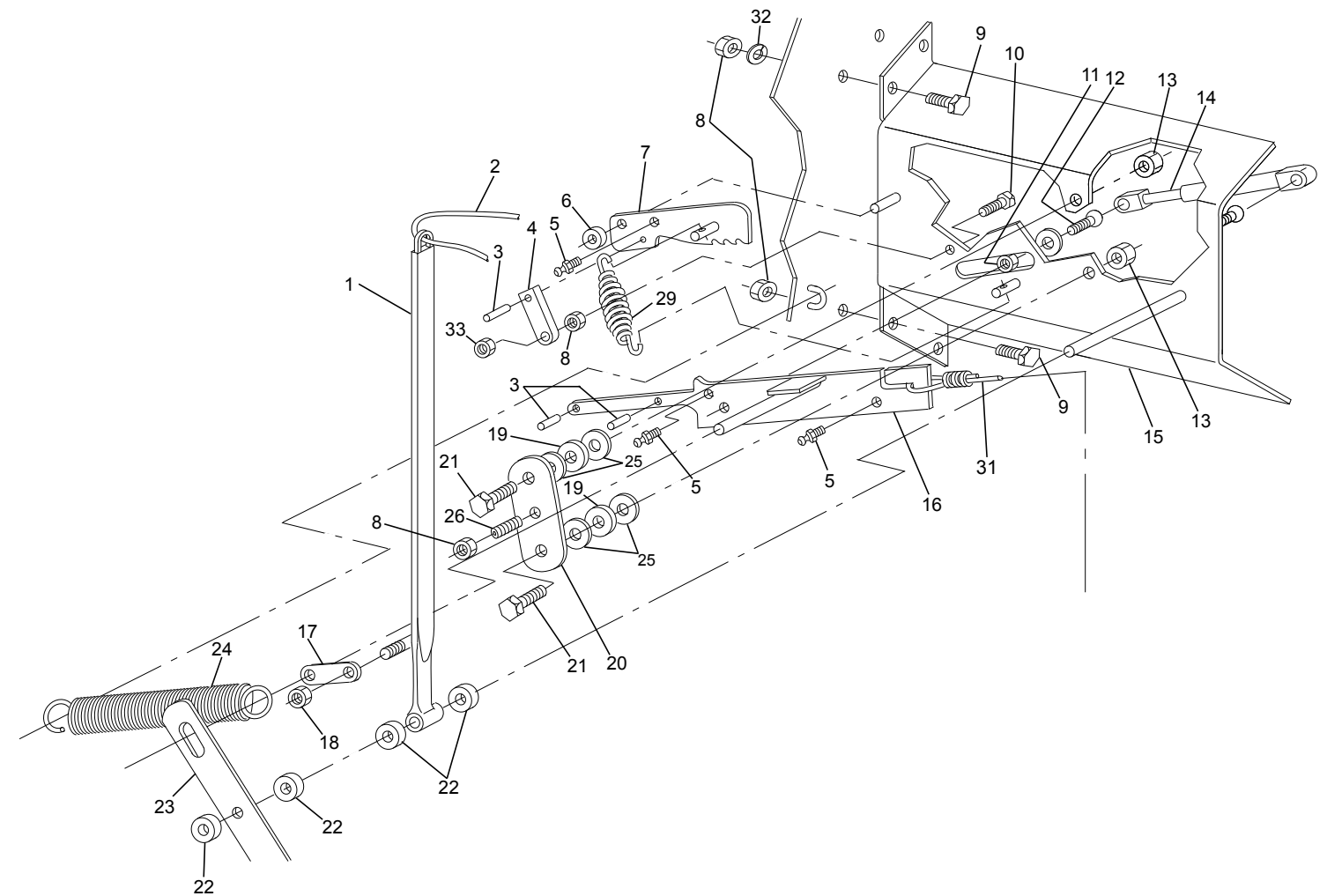
Endgate Assembly



ID	Description	Part #
1	250 Endgate Weldment	420036
2	3/4"-10 x 6-1/2" HHB	000766
3	1.5" Endgate Cylinder	403757
4	3/4"-10 x 3" HHB	000715
5	3/4"-10 Nylon Locknut	000990
6	Rubber End Cap	502276
7	3/4" SAE Flat Washer	001086
8	Endgate Arm Bushing	403005
9	3/4"-10 x 4-1/4" HHB	000741
10	3/8"-16 x 1.25" HHB	000275
11	Side Rubber Clamp	403006
12	Endgate Side Seal	403018
13	3/8"-16 Nut	000915

ID	Description	Part #
14	Back Seal	420035
15	Back Rubber Clamp	420034
16	3/8" Split Lock Washer	000820
17	Left Endgate Bracket	403011
18	3/8"-16 x .875" HHB	000250
19	Right Endgate Bracket	403010
20	90 Degree Fitting	403771
21	Breather Plug	403806
22	252" Hose	420142
23	Wire Loom Clamp	403045
24	1/4" x 3/4" Hex Head Bolt	000175
25	1/4" Nylon Locknut	003001

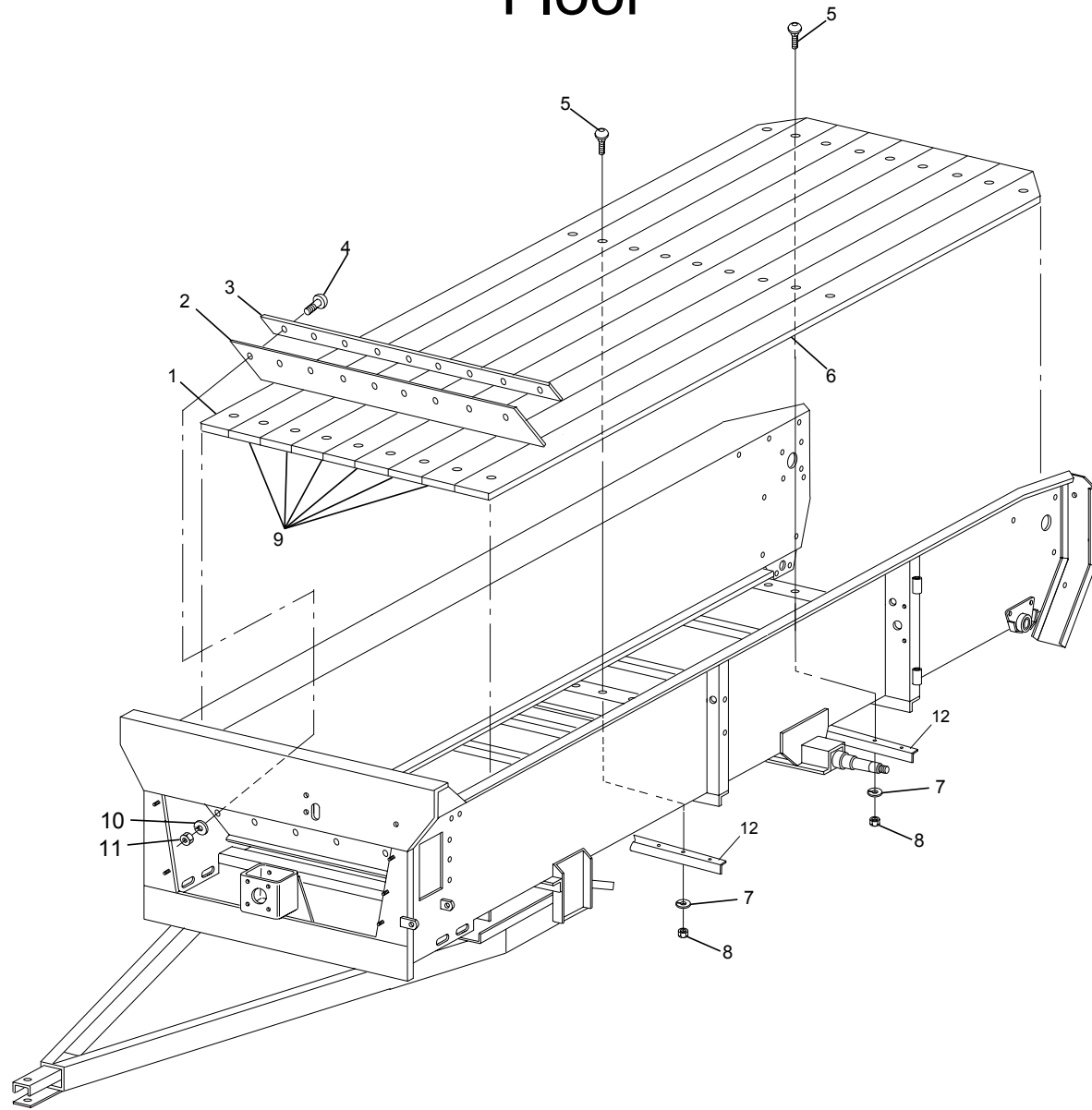
Shifter



Ref#	Description	Part#
1	Control Arm Assembly	400746
2	Gear Shifter Rope	400806
3	Roll Pin, 1/4" x 5/8"	400755
4	Lifter Arm	400760
5	Grease Fitting	400118
6	3/8" Shaft Collar	400776
7	Gear Locating Assembly	400756
8	Nut, 3/8	000915
9	Bolt, 3/8 x 1	000270
10	Bolt, 3/8 x 1-1/2	000280
11	Nut, 5/16	000910
12	Ball Stud	401013
13	Nut, 1/2	000940
14	Gas Spring	400764
15	Shifter Mounting Plate	401010

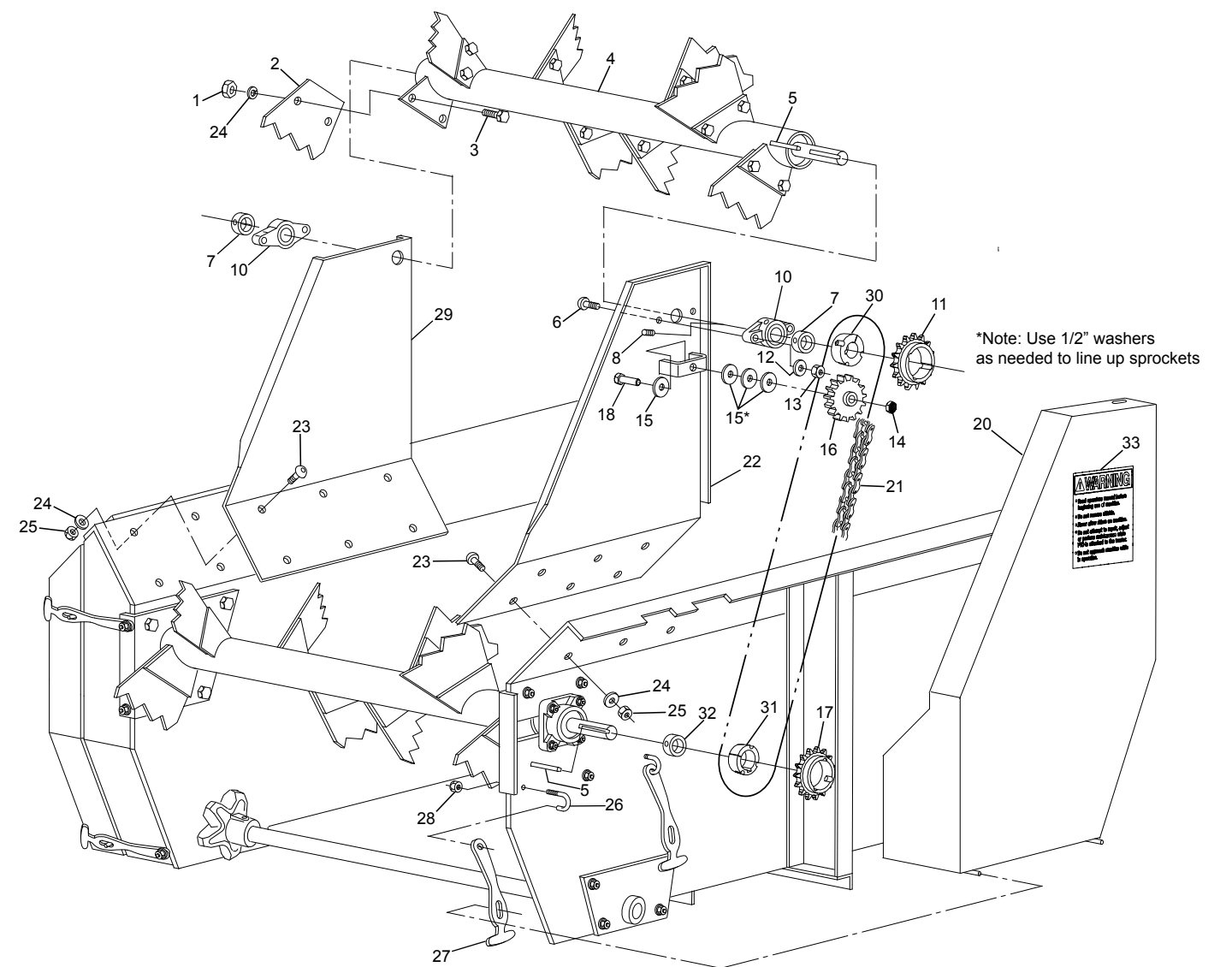
Ref#	Description	Part#
16	Shift Arm Assembly	400751
17	Shifter Linkage	400762
18	Locknut, 3/8	003000
19	Bearing, Shifter Arm	400765
20	Guide Plate	400761
21	Bolt, 1/2 x 2-1/4	000455
22	1/2" Shaft Collar	400777
23	Indicator	400763
24	Extension Spring	400404
25	Flat Washer, 3/8	001035
26	Set Screw, 3/8 x 1	400766
29	Extension Spring	400116
31	Shifter Cable	420079
32	3/8" Lockwasher	000820
33	3/8" Jam Nut	000920

Floor



Ref#	Description	Part#
1	Floor Board, Right	420086
2	Rubber Strip	420050
3	Rubber Holder	420051
4	5/16-18 x 1-1/4 Hex Head Bolt	000230
5	3/8"-16 X 1-3/4" Carriage Bolt, Zinc	000130
6	Floor Board, Left	420087
7	Lock Washer, 3/8	000820
8	Nut, 3/8	000915
9	Floor Board, Main	420085
10	5/16" Lock Washer	000810
11	5/16" Hex Nut	000910
12	Floor Hold Down	420049

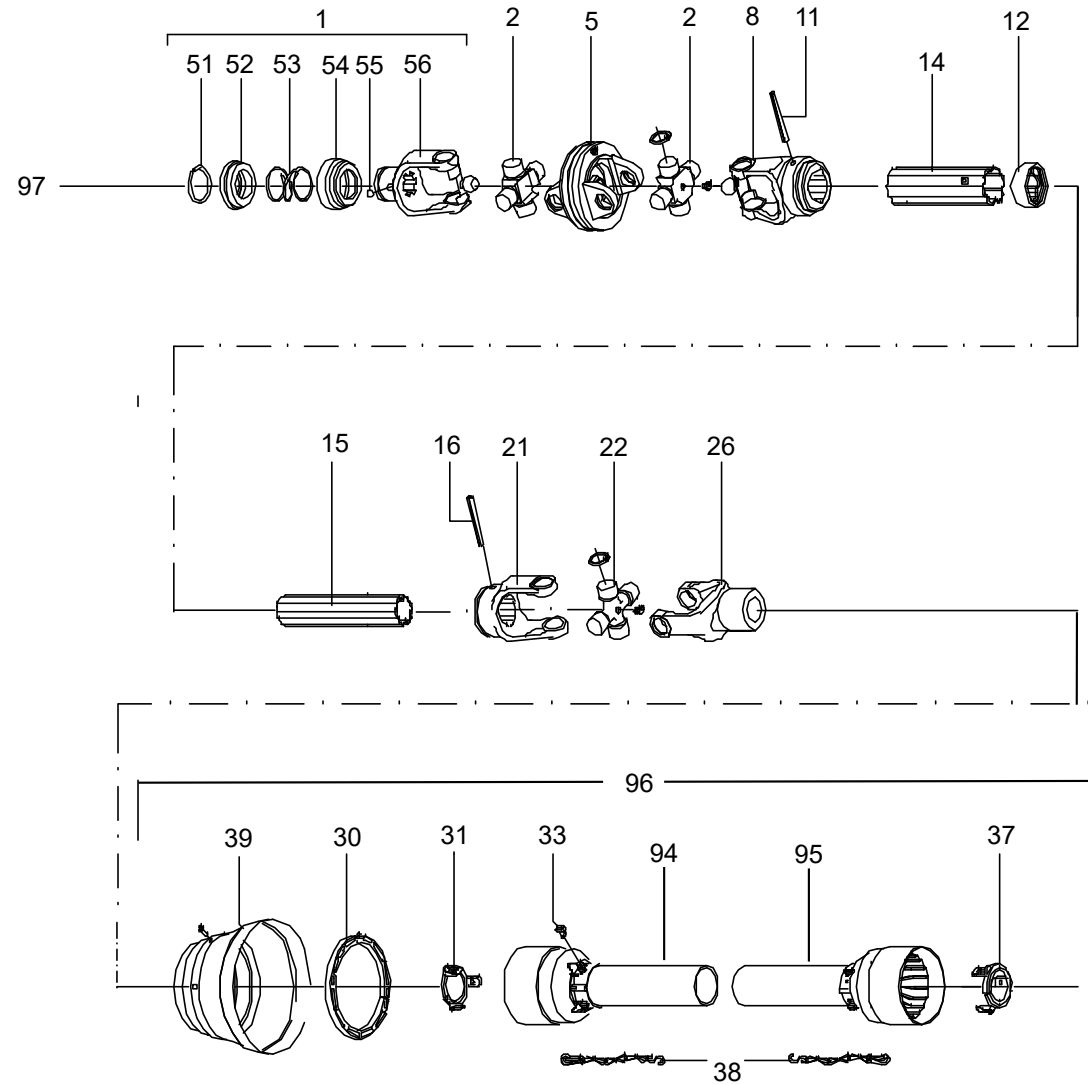
Top Beater



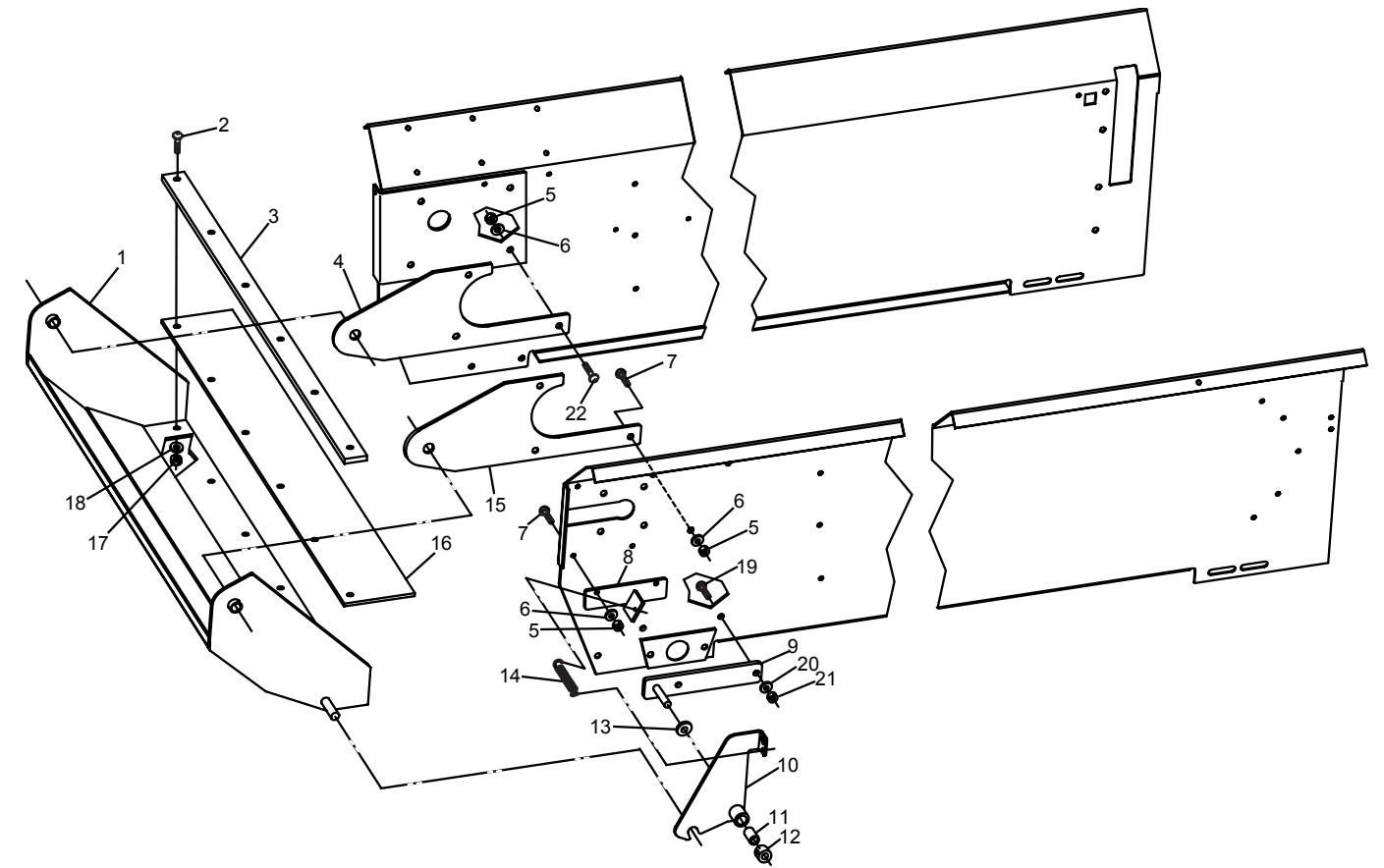
Ref#	Description	Part#
1	Nut, 3/8	000915
2	Beater Paddle	400858
3	Bolt, 3/8 x 7/8	000250
4	Top Beater Assembly	420031
5	Key, 1/4 x 1/4 x 1-1/4	400115
6	3/8" x 1 1/4" Hex Head Bolt	000275
7	1-1/8" Shaft Collar	400144
8	Flange Bearing	400855
9	Beater Sprocket	403767
12	Lock Washer, 1/2	000840
13	Nut, 1/2	000940
14	Nylon Jam Nut, 1/2	000752
15	Flat Washer, 1/2	001055
16	Idler Sprocket	400399
17	Beater Sprocket	403767

Ref#	Description	Part#
18	Bolt, 1/2 x 1-3/4	000445
20	Top Beater Shield	401616
21	Drive Chain	403770
22	Mounting Bracket, Right	401615
23	Bolt, 3/8 x 7/8	000250
24	Lock Washer 3/8	000820
25	Nut, 3/8	000915
26	T-Handle Mount	400147
27	Rubber T-Handle	400092
28	Nut, 3/8	000915
29	Mounting Bracket, Left	401612
30	1-1/8" Taper Lock Bushing	403769
31	1-1/2" Taper Lock Bushing	403768
32	1-1/2" Shaft Collar	101044
33	Warning *Read Oper...* Decal	400178

PTO Shaft



Fine Spread Pan



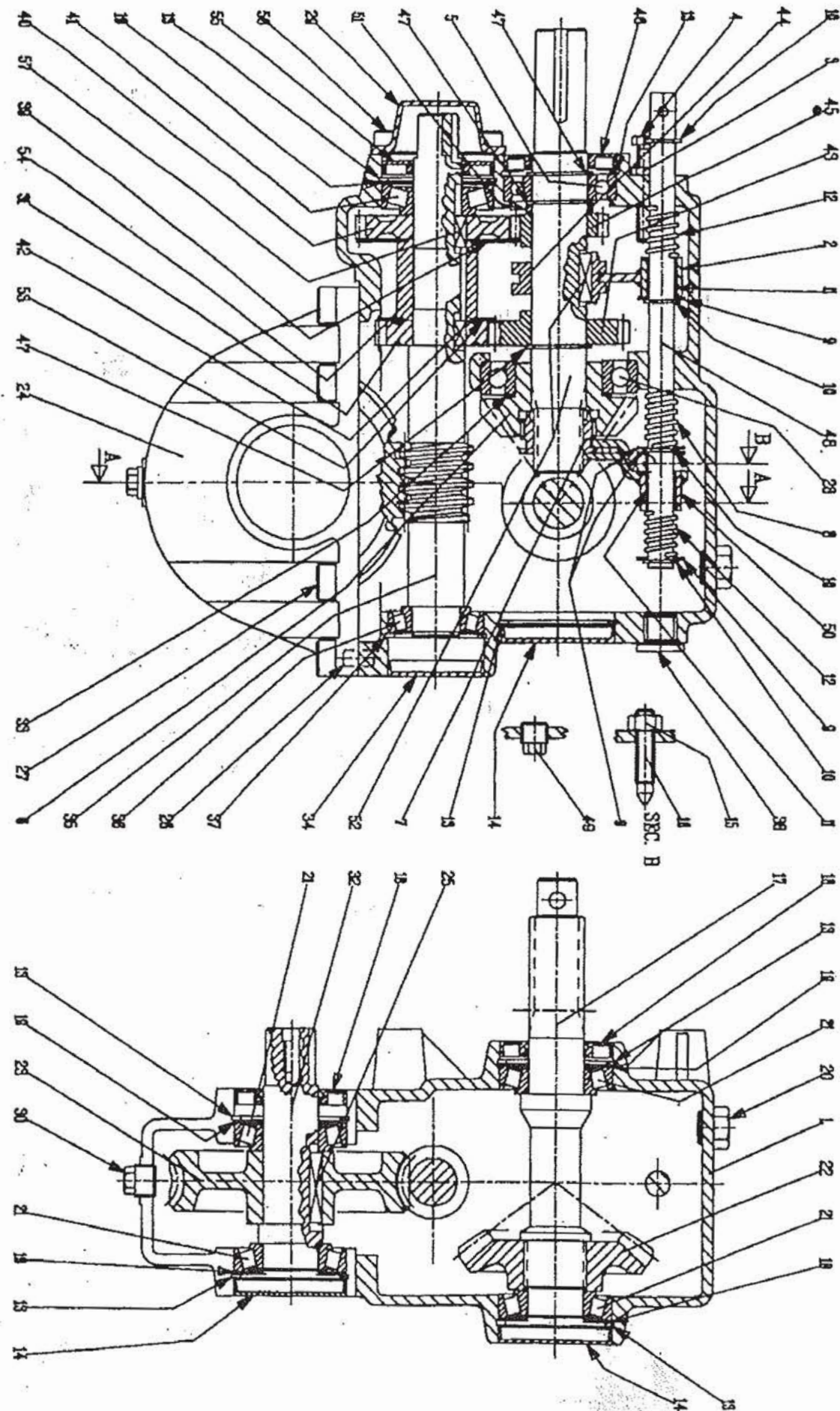
Ref#	Description	Part#
1	Collar Yoke for CV-Joint	400717
2	Cross Journal Set	400718
5	Double Yoke	400719
8	Outer Yoke	400720
11	Roll Pin, Outer Tube	400722
12	Wiper	400725
14	Outer Tube	400721
15	Inner Tube	400739
16	Roll Pin, Inner Tube	400741
21	Inner Yoke	400738
22	Cross Journal Set	400737
26	Implement Yoke	400736
30	Shield Bearing	400723
31	Outer Shield Bearing	400726

Ref#	Description	Part#
33	PTO Shield Screw	400730
37	Inner Shield Bearing	400742
38	Safety Chain	400729
39	CV Shield w/ Bearing	400767
51	Outer Clip	400727
52	Sliding Sleeve Collar	400728
53	Spring	400731
54	Fixed Sleeve	400732
55	Ball, 1/2"	400743
56	Yoke, CV-Joint	400744
94	Female Half Guard	400724
95	Male Half Guard	400740
96	Complete Shield Kit	503115
97	Complete PTO Shaft	400715

Ref#	Description	Part#
1	Fine Spread Pan	420052
2	Bolt, 5/16 x 1	000221
3	Rubber Strip Clamp	420051
4	Pan Hinge, Left	400823
5	Nut, 3/8	000915
6	Lock Washer, 3/8	000820
7	Bolt, 3/8 x 1-1/2	000280
8	Latch Stop	400831
9	Latch Hinge	400834
10	Latch	400837
11	Bushing, Latch	700081

Ref#	Description	Part#
12	5/8" Shaft Collar	400856
13	Flat Washer, 5/8	001075
14	Extension Spring	400116
15	Pan Hinge, Right	400824
16	Rubber Belting	420055
17	Nut, 5/16	000910
18	Lock Washer, 5/16	000810
19	1/2" x 1-1/2" Hex Head Bolt	000435
20	1/2" Lock Washer	000840
21	1/2" Hex Nut	000940
22	12mm - 1.75 x 30 Gr. 8.8	002530

Gearbox Assembly

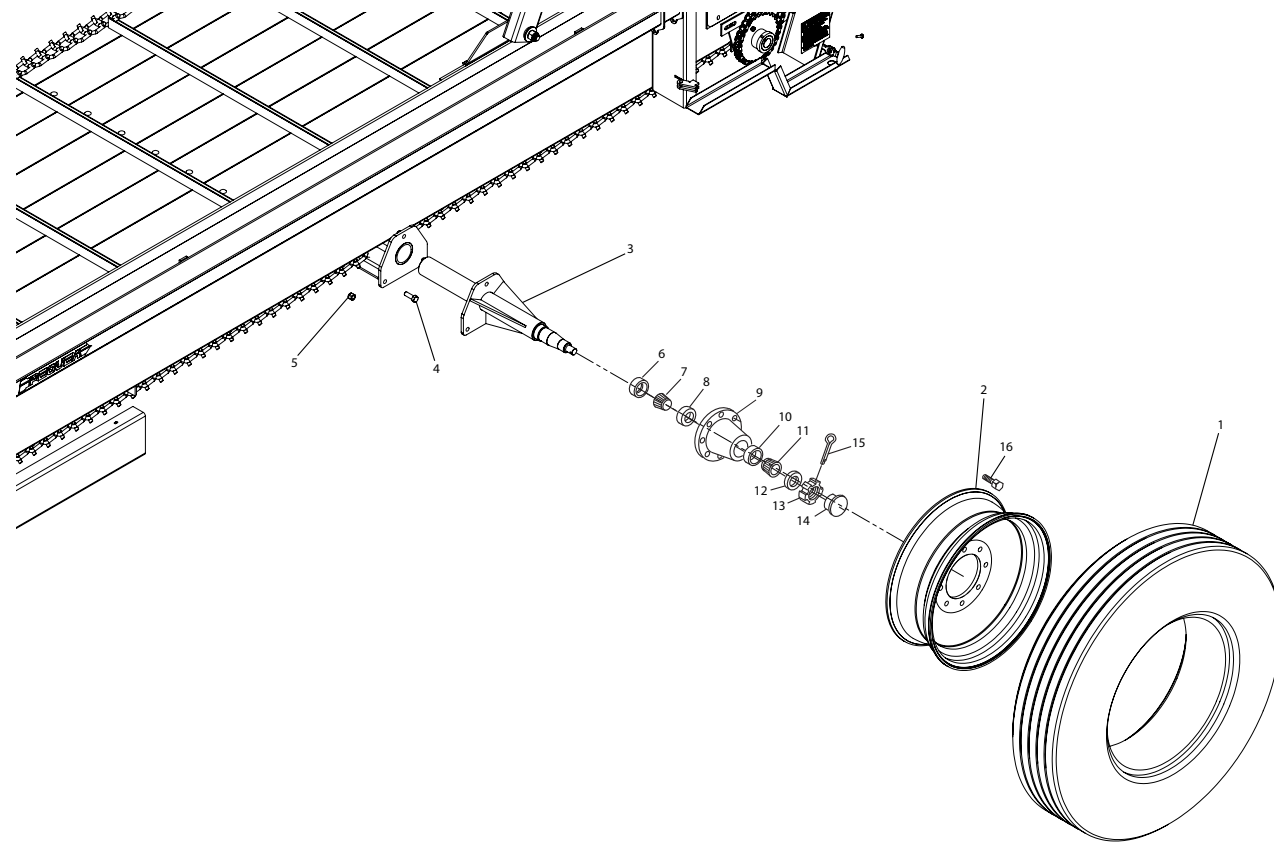


Gearbox Assembly

Ref#	Description	Part#
1	Gearbox Casing	402400
2	Fork	402401
3	M8 Hex Nut	402402
4	M8 Bolt	402403
5	6207 Bearing	402404
6	Z17 Pinion	402405
7	Bushing	402406
8	Spring	402407
9	16.2 x 1.5 Shim	402408
10	Snap Ring	402409
11	Friction Bearing	402410
12	Spring	402411
13	Snap Ring	402412
14	Cap, 72 x 10	402413
15	Hex Nut, M12	402414
16	Screw	402415
17	Splined Shaft, 1 -3/8"	402416
18	Double Lip Seal, 35 x 72 x 10	402417
19	Shim, 71.7	402418
20	Oil Filler Plug	402419
21	Bearing, 30207	402420
22	Crown Wheel, Z23	402421
23	Crown Wheel, Z41	402422
24	Gearbox Casing	402423
25	Parallel Key, 10 x 8 x 45	402424
26	Spring Pin, 10 x 20	402425
27	Bolt, M12 x 35 12.9	402426
28	Bearing, 6211	402427
29	Cover	402428

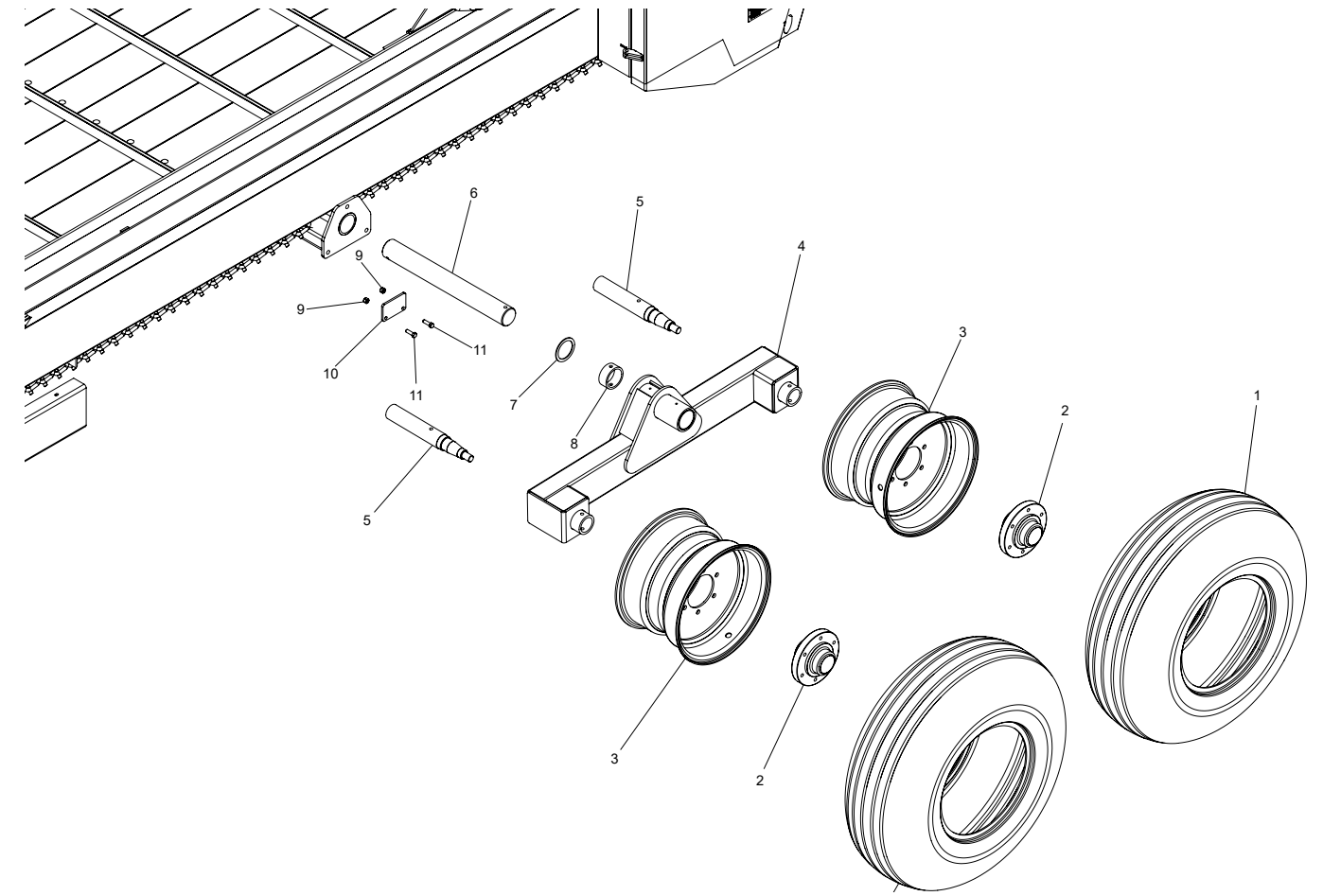
Ref#	Description	Part#
30	Plug, 1/2" Gas	402429
31	Gear, Z22	402430
32	Shaft	402431
33	Shim, 61.7	402432
34	Cap, 62 x 10	402433
35	Worm Screw	402434
36	Bearing, 30206	402435
37	Snap Ring, 62mm	402436
38	Plug	402437
39	Spacer	402438
40	Gear, Z30	402439
41	Bearing, 30206	402440
42	Parallel Key, 8x7x14.5	402441
43	Gear, Z25	402442
44	Bushing	402443
45	Gear, Z17	402444
46	Oil Seal, 35x72x10	402445
47	Snap Ring, 35mm	402446
48	Lever	402447
49	Plug, 3/8 GAS	402448
50	Fork	402449
51	Spacer	402450
52	Shaft	402451
53	Spacer	402452
54	Spacer	402453
55	Oil Seal, 30x72x10	402454
56	Bolt, M10x20 8.8	402455
57	Parallel Key, 8x7x20	402456

Single Axle Assembly



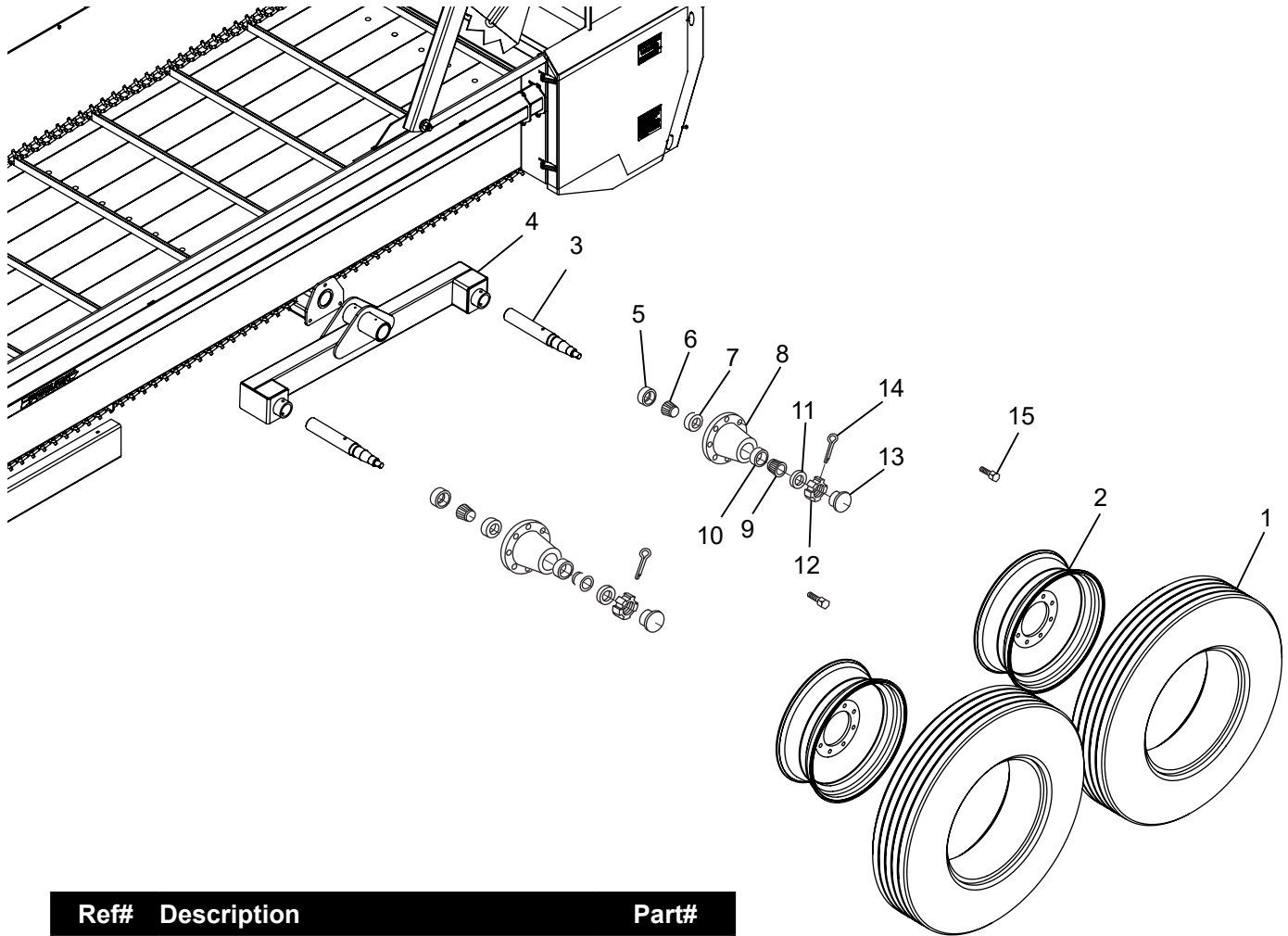
Ref#	Description	Part#
1	Single Axle Tire	401705
2	Rim,-(20 X 7- 8 Bolt)	400542
3	250P Single Axle Spindle Weld Asm	420108
4	1/2-13 x 1.50 HH Bolt Zinc	000435
5	1/2-13 Nylon Lock Nut	000950
6	Inner Seal	300500
7	Inner Bearing	300553
8	Inner Race	300551
9	Hub Only	300550
10	Outer Race	300552
11	Outer Bearing	300554
12	Spindle Washer	300283
13	Castle Nut	300281
14	Hub Cap	300555
15	Cotter Pin, 5/32 x 1-1/4	300282
16	Lug Bolt	300556
17	Complete Hub	300549

Tandem Axle Assembly



Ref#	Description	Part#
1	Tandem Axle Tire	300294
2	Complete Hub	300173
3	15 x 10 x 6 Wheel	300286
4	250P Walking Beam Weldment	420065
5	SL6 Spindle	891034
6	250P Tandem Axle Pivot Shaft	420112
7	250P Tandem Axle Collar	420103
8	250P Tandem Axle Bushing	420113
9	3/8-16 x 1.25 HH Bolt Zinc	000275
10	250P Tandem Locking Plate	420111
11	3/8-16 Nylon Lock Nut	003000

Truck Tire Tandem Axle Assembly



Ref#	Description	Part#
1	Single Axle Tire	401705
2	Rim,-(20 X 7- 8 Bolt)	400542
3	250 Tandem Spindle (Truck Tire)	420135
4	250 Walking Beam (Truck Tire)	420130
5	Inner Seal	300500
6	Inner Bearing	300553
7	Inner Race	300551
8	Hub Only	300550
9	Outer Race	300552
10	Outer Bearing	300554
11	Spindle Washer	300283
12	Castle Nut	300281
13	Hub Cap	300555
14	Cotter Pin, 5/32 x 1-1/4	300282
15	Lug Bolt	300556
16	Complete Hub	300549