

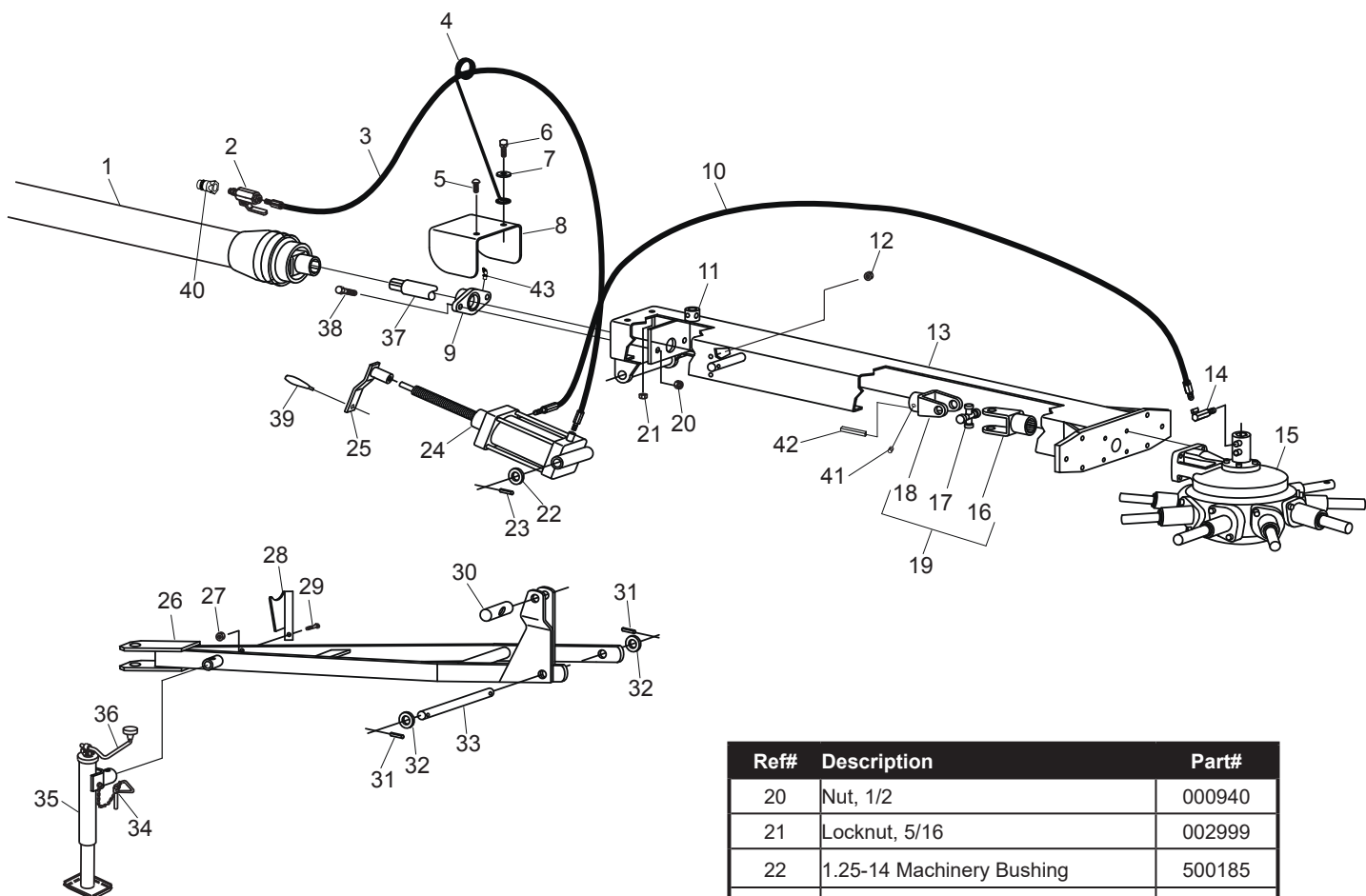


HR930 Rotary Rake

Illustrated Parts Breakdown

Page 1	Tongue & Main Frame
Page 2	Guards
Page 3	Gearbox & Tine Arm
Page 4	Axle Assembly
Page 5	Rotary Gearbox
Page 6	PTO Shaft

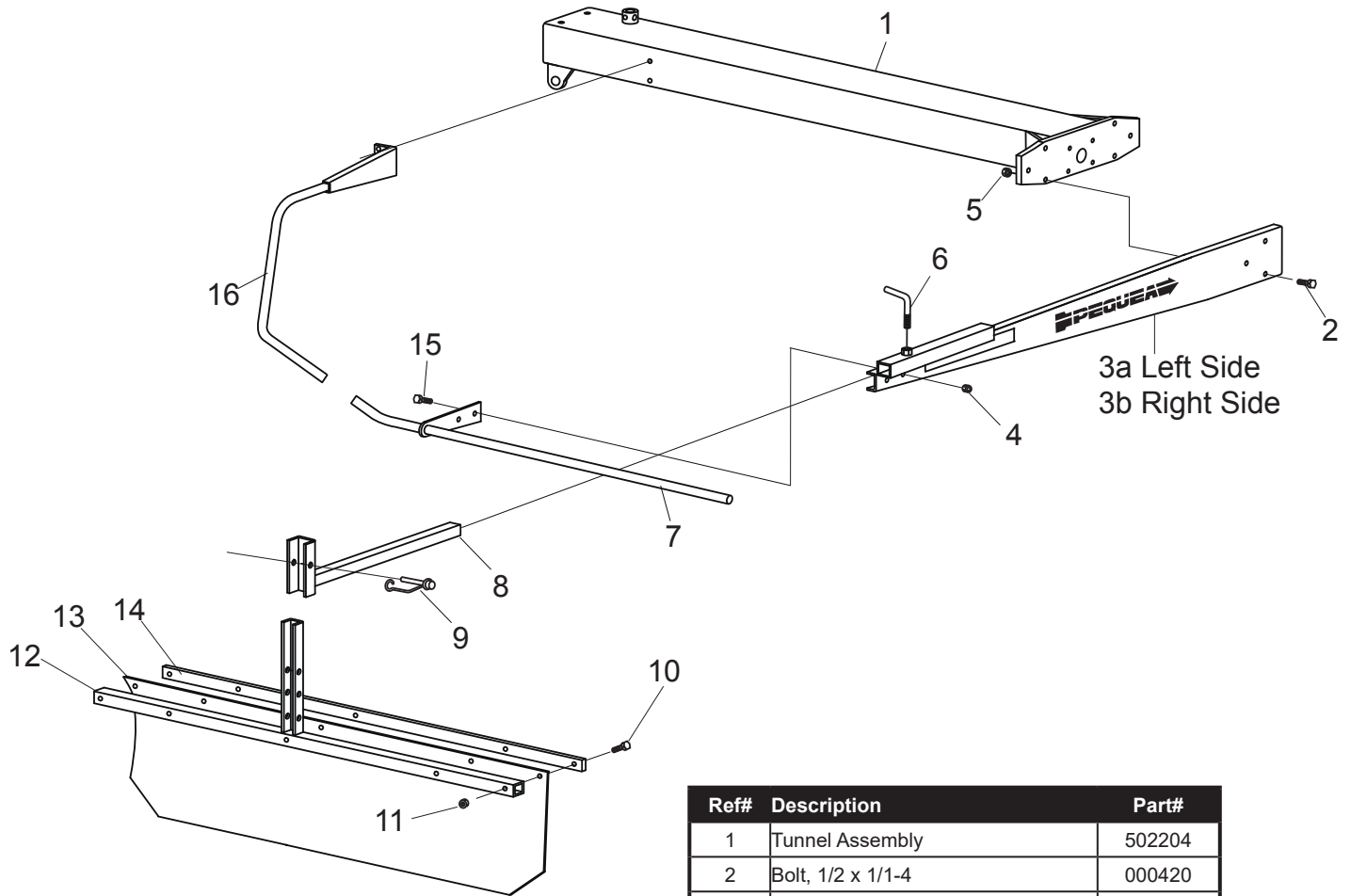
Tongue & Main Frame



Ref#	Description	Part#
1	Complete PTO Shaft	503039
2	Ball Valve	502322
3	Hydraulic Hose	502294
4	Hose Support	502288
5	Bolt, 5/16 x 3/4 Truss Head	000210
6	Bolt, 5/16 x 1	000221
7	Hose Support Washer	502308
8	PTO Guard	502234
9	1-3/8 Flange Bearing	505568
10	Hydraulic Hose	502281
11	Jack Mount Bracket	500005
12	Locknut, 3/8	003000
13	Tunnel Assembly	502204
14	Elbow Fitting, 1502-4-4	502300
15	Gearbox Complete	502264
16	Splined Yoke	500269
17	Cross & Bearing Kit	500272
18	Keyed Yoke	500270

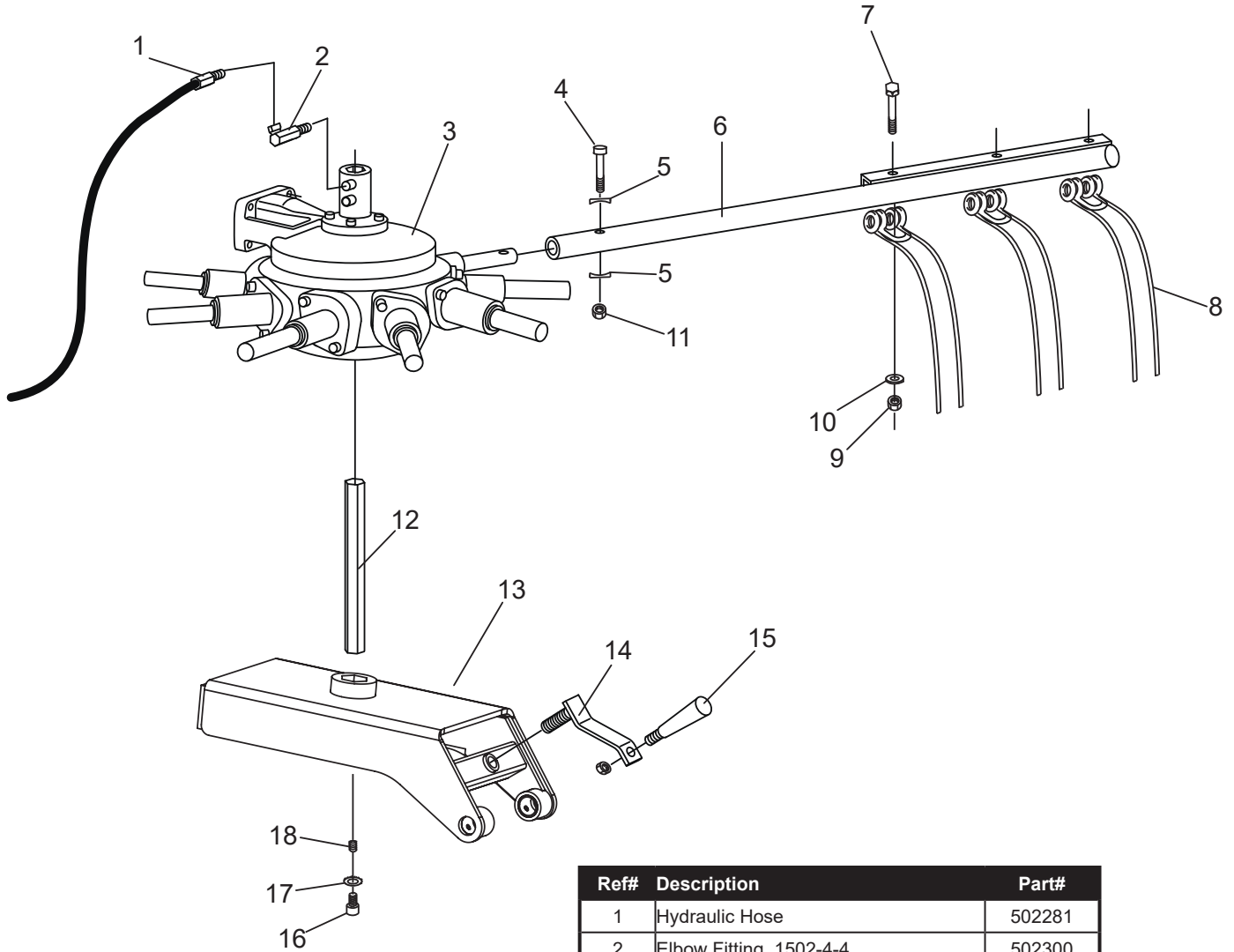
Ref#	Description	Part#
20	Nut, 1/2	000940
21	Locknut, 5/16	002999
22	1.25-14 Machinery Bushing	500185
23	Roll Pin, 1/4 x 2	500017
24	Front Cylinder	502279
	Seal Kit for Front Cylinder	502344
25	Front Cylinder Handle	503037
26	Tongue Assembly	502237
27	Locknut, 3/8	003000
28	PTO Stand	500015
29	Bolt, 3/8 x 1-1/4	000275
30	Cylinder Mount	502218
31	Roll Pin, 1/4 x 2	500017
32	1.25-14 Machinery Bushing	500185
33	Tongue Pin	502225
34	Pin & Chain	500012
35	Complete Jack	500009
36	Jack Handle	500010
37	Drive Shaft	502257
38	Bolt, 1/2 x 1-1/2	000435
39	Stainless Steel Handle	502149
40	Male Hydraulic Coupler	290105
41	Set Screw	500275
42	Key	500217

Guards



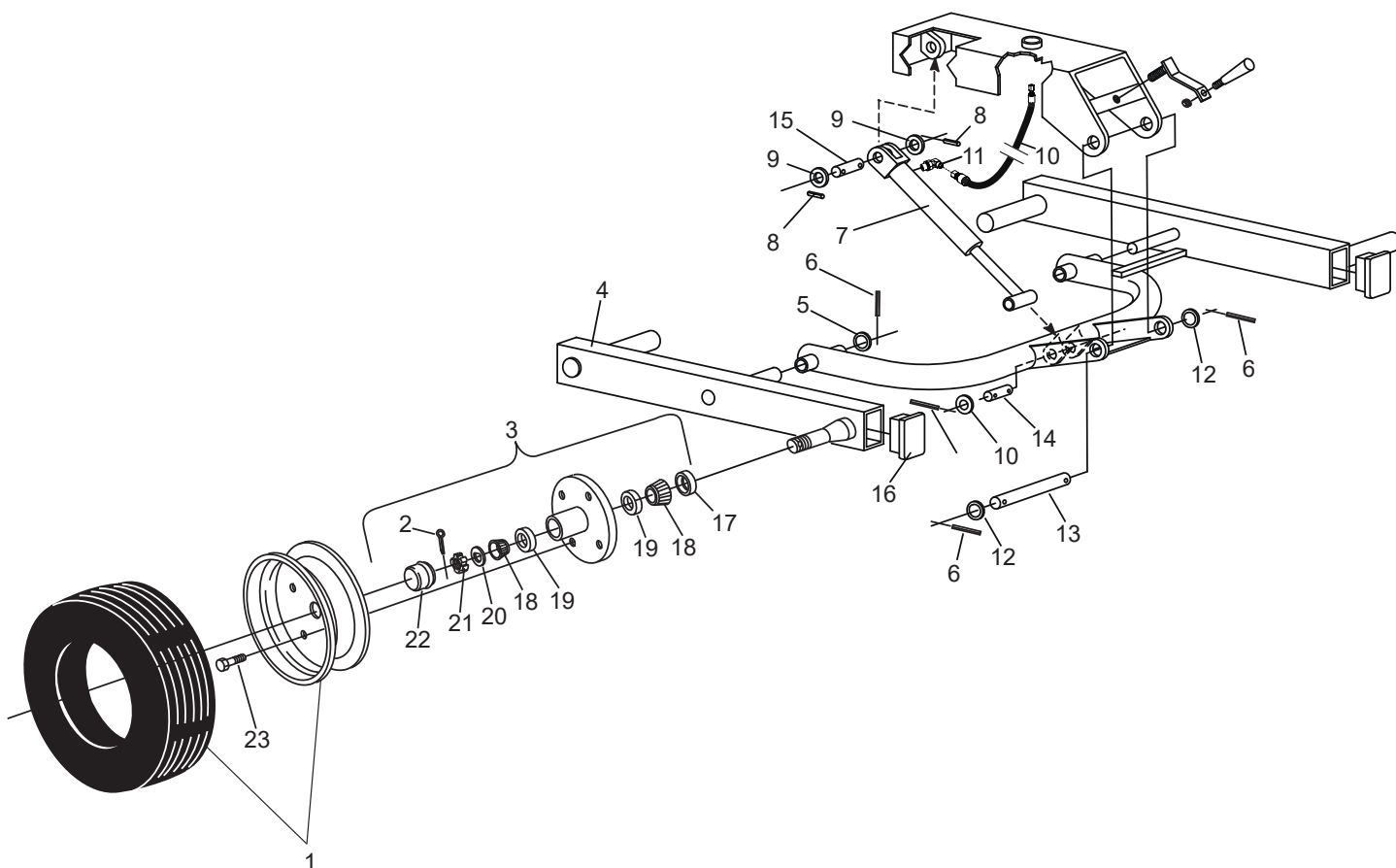
Ref#	Description	Part#
1	Tunnel Assembly	502204
2	Bolt, 1/2 x 1/1-4	000420
3a	Guard Arm, Left	502246
3b	Guard Arm, Right	502239
4	Nut, 3/8	000915
5	Nut, 1/2	000940
6	Curtain Set Bolt	500148
7	Tine Guard Assembly, Rear	503096
8	Telescoping Tube	500149
9	Snapper Pin	500158
10	Bolt, 1/4 x 1-3/4	000187
11	Locknut, 1/4	003001
12	Curtain Mount Assembly	502251
13	Hay Curtain	502252
14	Curtain Bar	502247
15	Bolt 3/8 x 1	000270
16	Tine Guard Assembly, Front	503095

Gearbox & Tine Arm



Ref#	Description	Part#
1	Hydraulic Hose	502281
2	Elbow Fitting, 1502-4-4	502300
3	Complete Gearbox, 9 Arm	502264
4	M10 x 80 Socket Head Bolt	001080
5	Radius Washer	701008
6	Tine Arm	502262
7	Bolt, 1/2 x 3-1/4	000478
8	Curved Rake Tine	500218
9	Locknut, 1/2	000950
10	Heavy Duty Flat Washer	000520
11	M10 Nylon Locknut	002822
12	Hexagon Shaft	500258
13	Gearbox Stand Assembly	502241
14	Rear Height Adjustment Lever	502274
15	Stainless Steel Handle	502149
16	3/4 x 3/4 Socket Head Bolt	000693
17	External Tooth Lock Washer	001087
18	Pipe Plug	502298

Axle Assembly

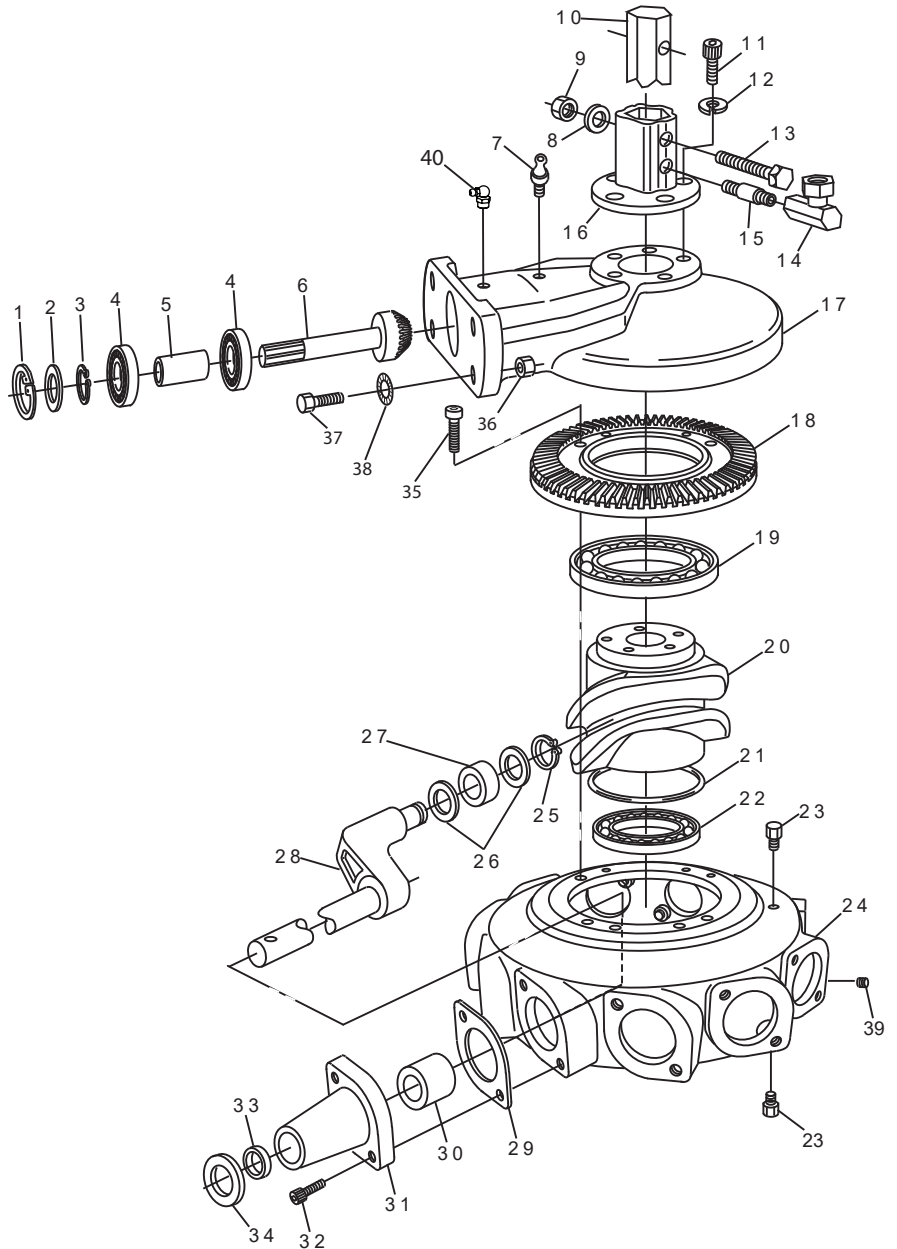


Ref#	Description	Part#
1	Rim & Tire Assembly	500220
2	Cotter Pin	001215
3	Complete Hub	501199
4	Walking Beam Assembly	502240
5	1.50-14 Machinery Bushing	500197
6	Roll Pin, 1/4 x 2	500017
7	Rear Cylinder	502278
	Seal Kit for Rear Cylinder	502345
8	Head/Cylinder Pin	502213
9	1.00-14 Machinery Bushing	001008
10	Hydraulic Hose	500116
11	Elbow Fitting, 1501L-4-4	502301
12	1.25-14 Machinery Bushing	500185

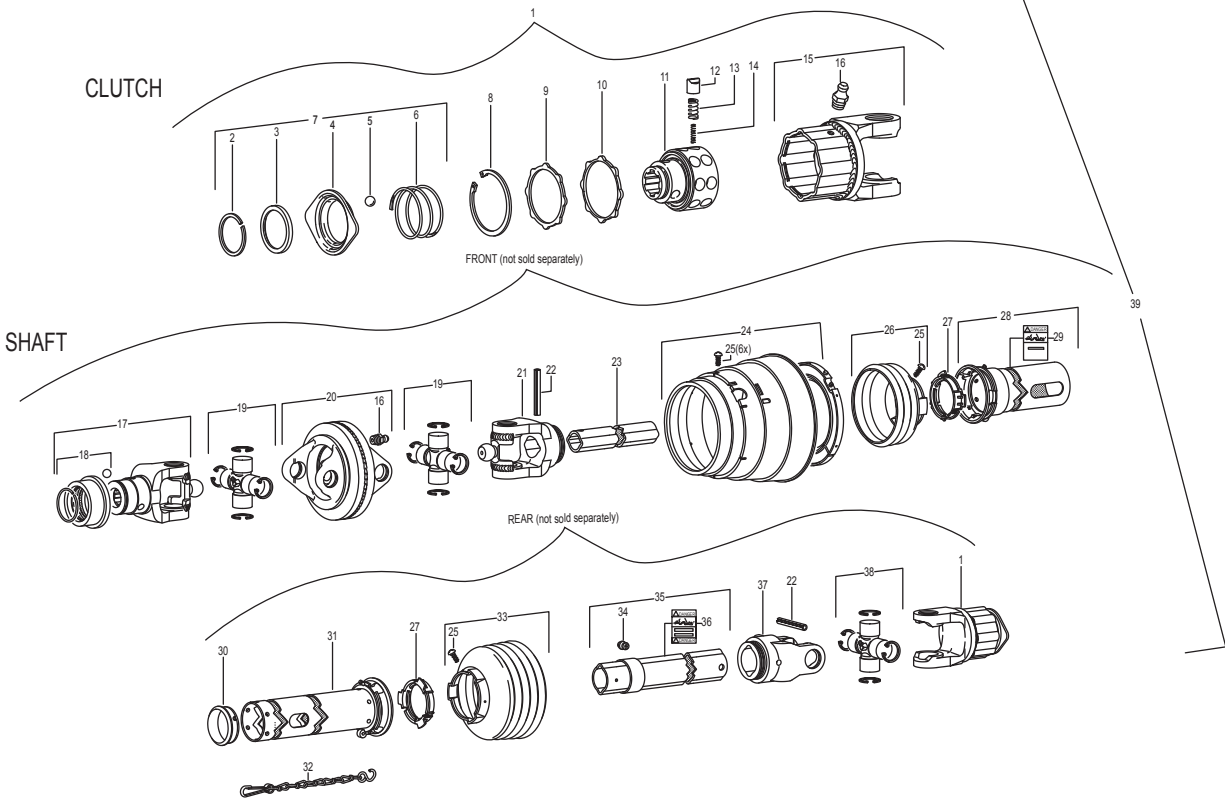
Ref#	Description	Part#
13	Gearbox Stand/Axle Pin	502213
14	Head/Cylinder Pin	503048
15	Axle/Cylinder Pin	502212
16	Plastic End Cap	502276
17	Grease Seal	500201
18	Bearing, LM44643	500202
19	Race, LM44610	500204
20	Spindle Washer	500206
21	Spindle Nut	500207
22	Dust Cap	500209
23	Lug Bolt, 1/2 x 20	500210

Rotary Gearbox

Ref#	Description	Part#
1	Retaining Ring, Internal	500227
2	Washer	500228
3	Retaining Ring, External	500229
4	Bearing	500230
5	Spacer	500231
6	Pinion Gear	500232
7	Grease Fitting	500233
8	Lock Washer, 9/16	500234
9	Nut, 9/16	500235
10	Hexagon Shaft	500258
11	Bolt, M14 x 110	500236
12	Lock Washer, M14	500237
13	Bolt, 9/16 x 3-1/2	500238
14	Elbow Fitting /w Swivel	502300
15	Nipple	502299
16	Hexagon Shaft Cover	500240
17	Gear Box Cover	502333
18	Ring Gear	500242
19	Upper Bearing	500243
20	Cam Center	502334
21	Oil Seal	500245
22	Lower Bearing	500246
23	Oil Plug	500247
24	Gear Box Housing	502335
25	Retaining Ring	500249
26	Washer	500250
27	Cam Roller	500251
28	Crank Arm Shaft	502336
29	Gasket	500253
30	Spacer	502337
31	Cast Arm Support	500255
32	Bolt, M12 x 30	500256
33	Oil Seal	500257
34	Bushing	500279
35	Socket Head Bolt, M10 x 25	002426
36	Locknut, M14	002826
37	Bolt, M14 x 55	002655
38	Nord Lock Washer M14	000770
39	Oil Plug	502332
40	90 Degree Grease Fitting, M10	502331
	Complete Gear Box	502264



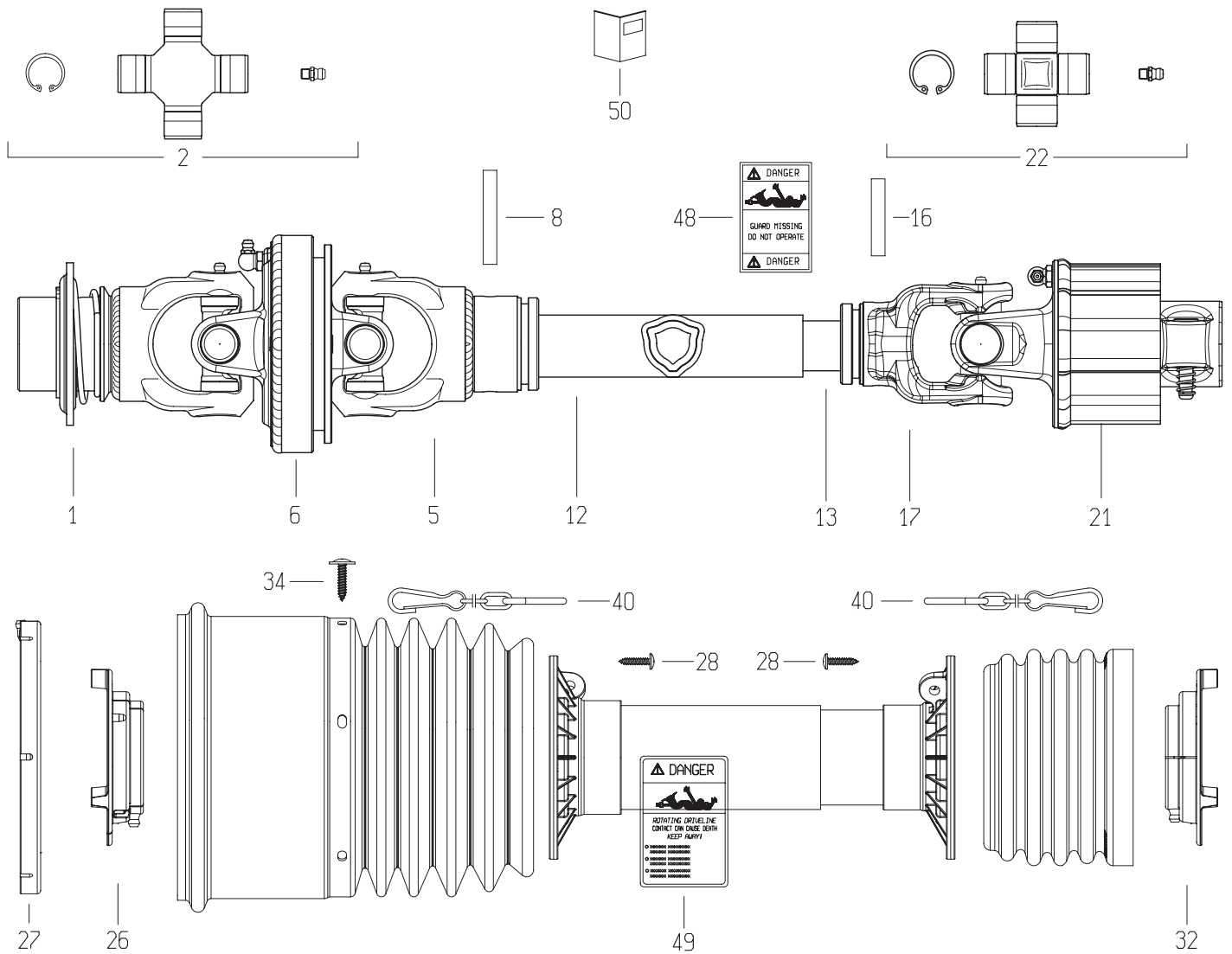
PTO Shaft S/N -92061



Ref#	Description	Part #
1	Radial Pin Clutch Assembly	500028
2	Retainer Ring	500048
3	Flanged Collar	500047
4	Lock Collar	500046
5	Ball	500044
6	Compression Spring	500045
7	Flange Kit	500050
8	Retainer Ring	500043
9	Thrust Ring	500042
10	Seal Ring	500041
11	Hub	500037
12	Cam	500038
13	Outer Spring	500039
14	Inner Spring	500040
15	Clutch Housing	500036
16	Grease Fitting	500049
17	Yoke	500026
18	Collar Kit	500064
19	Cross & Bearing Kit	500030
20	Double Yoke	500027

Ref#	Description	Part #
21	Inboard Yoke	500034
22	Spring Pin	500031
23	Inner Profile	500032
24	CV Cone & Bearing Assembly	500055
25	Screw	500058
26	Shield Cone, 3 Rib	500056
27	Bearing Ring	500052
28	Outer Shield Tube	500053
29	Decal	500059
30	Support Bearing	500063
31	Inner Shield Tube	500054
32	Safety Chain	500060
33	Shield Cone, 4 Rib	500057
34	Grease Fitting	500062
35	Outer Profile & Sleeve	500033
36	Decal	500061
37	Inboard Yoke	500029
38	Cross & Bearing Kit	500051
39	Complete PTO Shaft	503039
40	PTO Shield Kit, Bondioli Shaft Only	505797

PTO Shaft S/N 92061+



Ref#	Description	Part #
1	Yoke S2 Rt 1-3/8"Z6 80°Cv	503100
2	Cross Kit S2 EI 80°Cv 22X76 Zerk In Cap	503101
5	Yoke G2 Outer Tube (36.0) 80°Cv EI	503102
6	Central Body 1R2-G2-S2 80°Cv EI	503103
8	Flexible Roll Pin 8X55 Din1481	500433
12	Cardan Tube Outer 12518 L=770	503117
13	Cardan Tube Inner 12504 L=770 Rilsan.	503118
16	Flexible Roll Pin 8X45 Din1481	903327
17	Tube Yoke #2-G2 Inner (29.0)	503106
21	Sa2/2 Dx *400 Nm* 1 3/8" Z=6 Puls.	503119
22	Cross Kit S2-G2 23.8X61.3 Cap Zerk	503108
26	Shield Support G2 Outer Global	503109

Ref#	Description	Part #
27	Shield Support S2-S4 EI Cv 80° & 50°	503110
28	Screw 4.8X22 Self Tap Zinc	500417
32	Shield Support G2 Inner Global	503111
34	Screw 4.8X22 Self Tap Zinc Flange Head	503112
40	Shield Chain W/S-Hook L=500Mm	500420
48	Label - Danger - Outer Drive Tube	500421
49	Label - Danger - Outer Shield Tube	500422
50	Instruction Booklet - N.america Global	500423
97	Complete Shield Kit	505797