



CX350 Wood Chipper

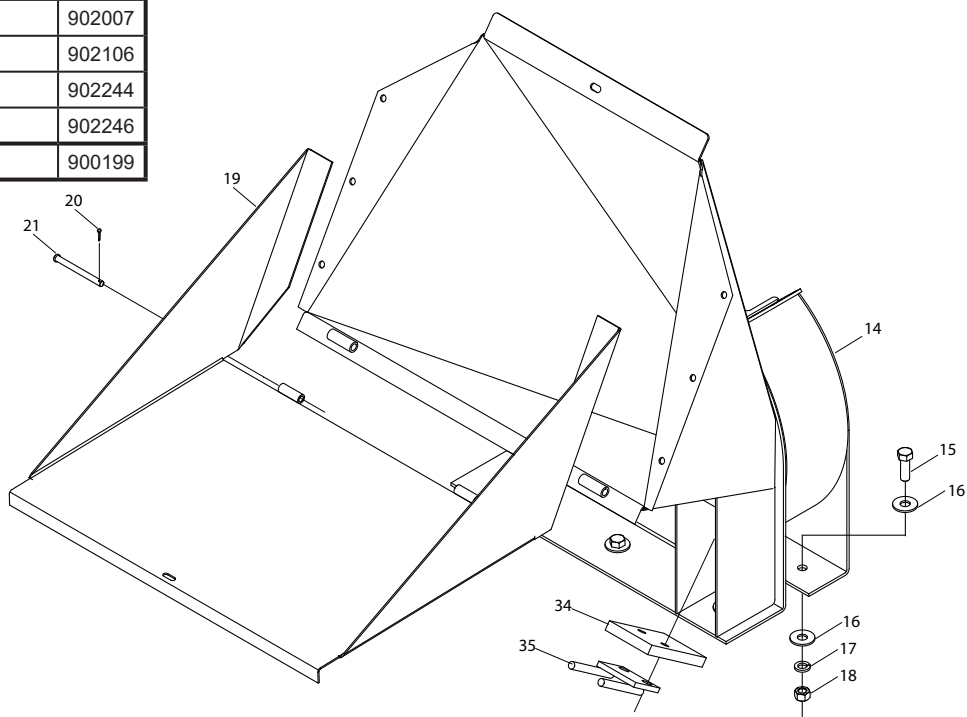
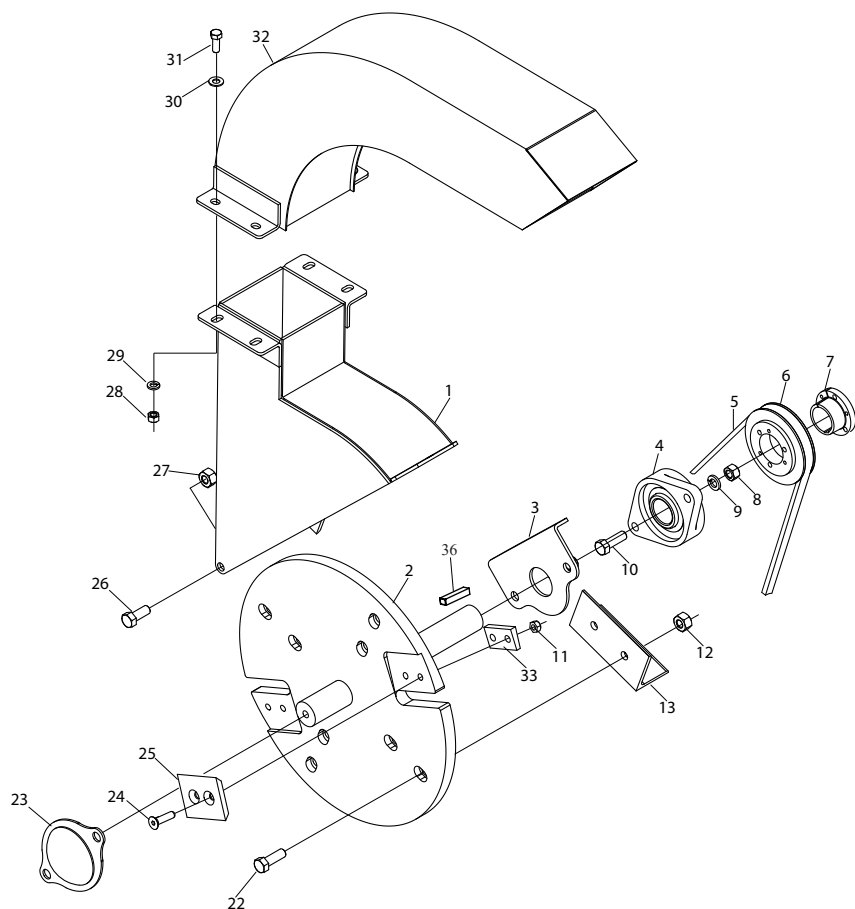
Illustrated Parts Breakdown

Page 1 Rotor Assembly

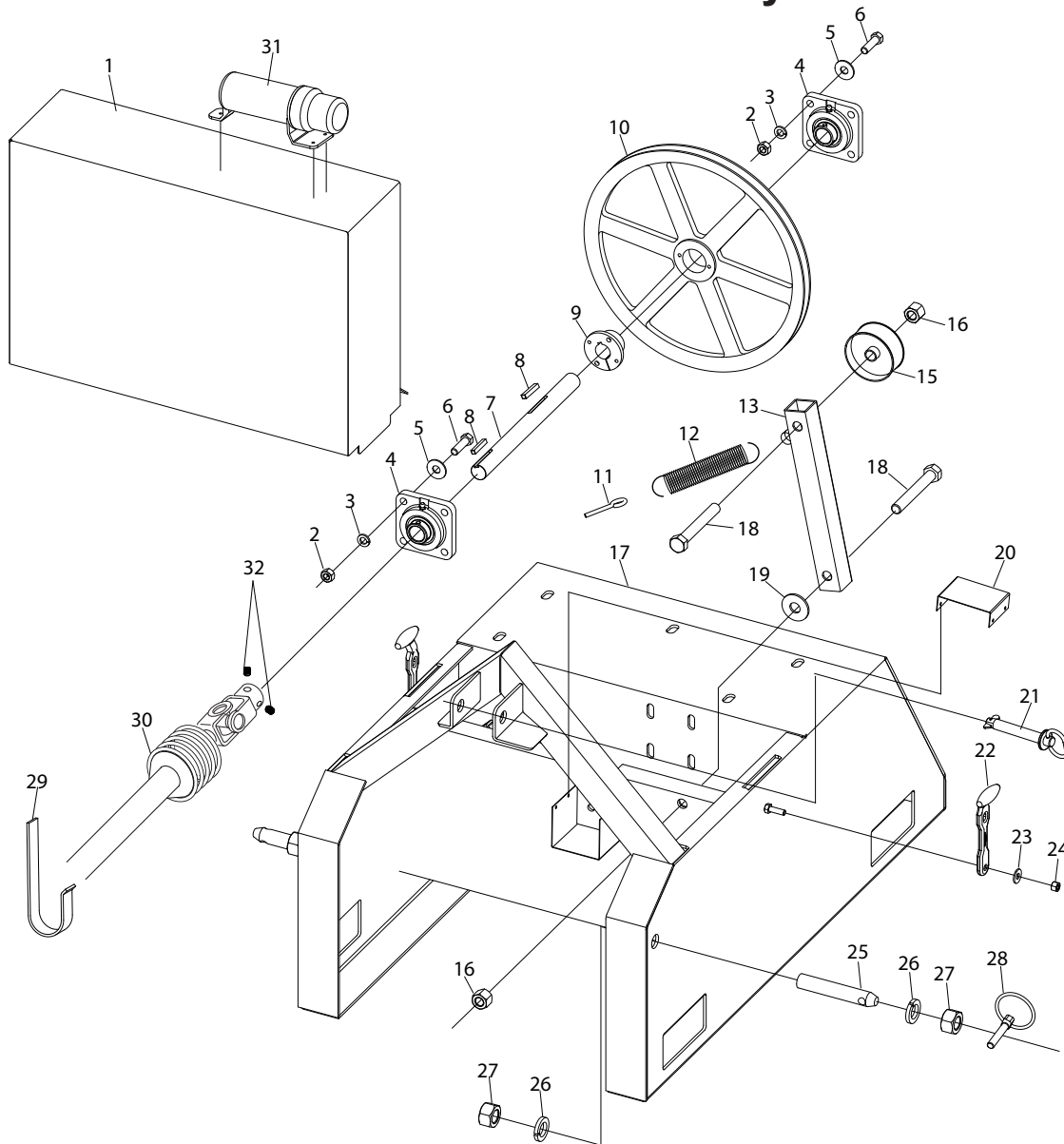
Page 2 Base Assembly

CX350 Rotor Assembly

Ref#	Description	Part#
1	Upper Rotor Housing	902004
2	Rotor Assembly	902009
3	Bearing Bracket	902008
4	Flange Bearing, 1-1/2"	900127
5	Belt, B-58	900109
6	Pulley	900201
7	Pulley Bushing w/ Bolts	900202
8	Nut, 1/2	000940
9	Lock Washer, 1/2	000840
10	Bolt, 1/2 x 1-3/4	000445
11	Steel Locknut, 3/8	900134
12	Steel Locknut, 1/2	900144
13	Rotor Paddle	902249
14	Lower Rotor Housing	902003
15	Bolt, 1/2 x 1-1/2	000435
16	Flatwasher, 1/2	001055
17	Lock Washer, 1/2	000840
18	Nut, 1/2	000940
19	Hopper Lid	902006
20	Cotter Pin, 1/8 x 1	001210
21	Hinge Pin	401523
22	Bolt, 1/2 x 1-1/2	000435
23	Rotor Shaft Shield	900859
24	Recessed Head Bolt, 3/8 x 1-1/2	900128
25	Chipper Knife	900106
26	Bolt, 1/2 x 1-1/4	000420
27	Steel Locknut, 1/2	900144
28	Nut, 3/8	000915
29	Lock Washer, 3/8	000820
30	Flatwasher, 3/8	001035
31	Bolt, 3/8 x 1	000270
32	Chip Chute	902007
33	Knife Bolt Washer	902106
34	Anvil	902244
35	Anvil Adjuster	902246
36	Key, 3/8 x 5/16 x 1.3	900199



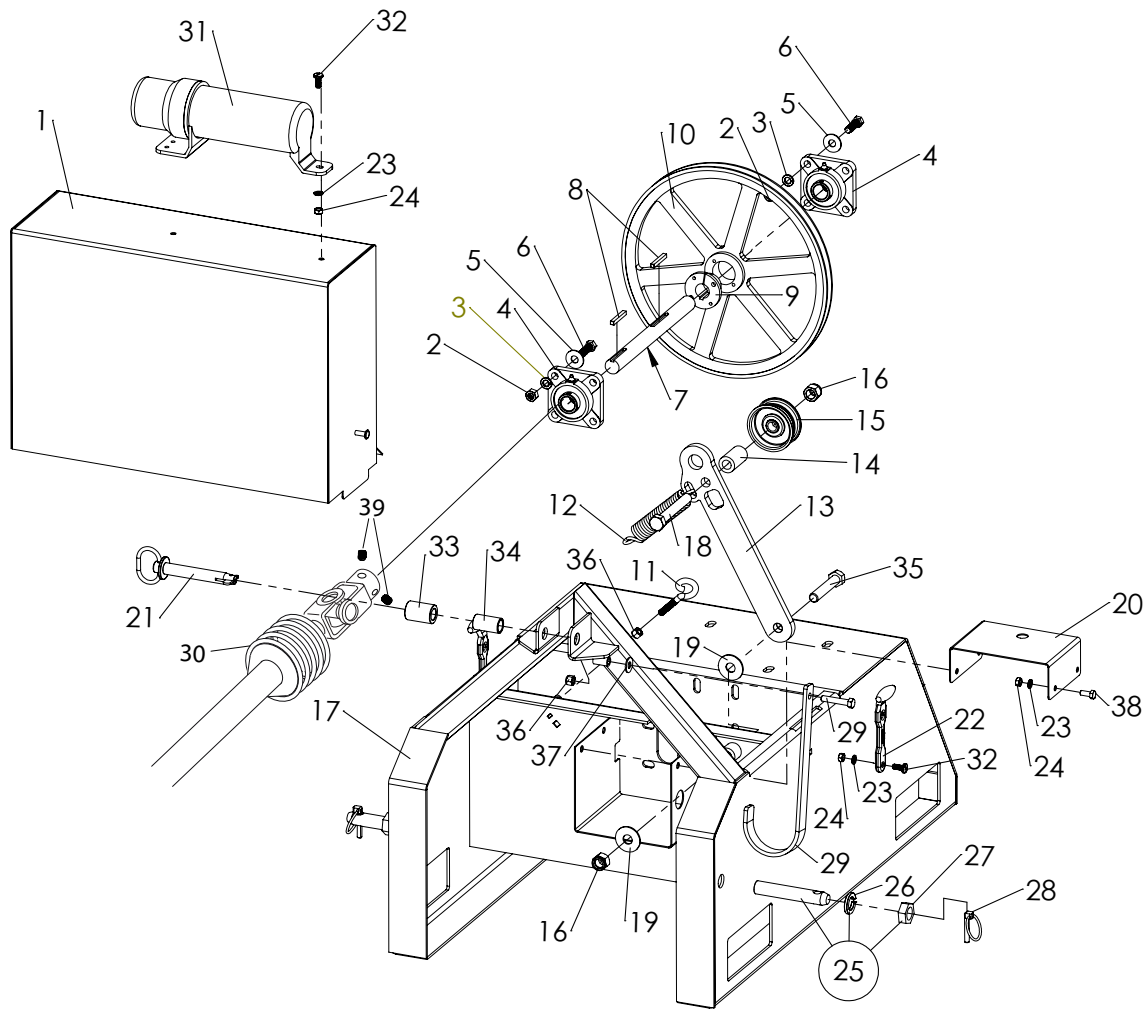
CX350 Base Assembly



Ref#	Description	Part#
1	Belt Shield	902016
2	Nut, 7/16	000935
3	Lock Washer, 7/16	000830
4	Flange Bearing, 1"	700053
5	Flatwasher, 7/16	001045
6	Bolt, 7/16 x 1-3/4	000362
7	Jack Shaft	902013
8	Key, 1/4 x 2	400587
9	Pulley Bushing	900204
10	Pulley	900203
11	Eye Bolt, 3/8 x 3-1/4	902001
12	Idler Pulley Spring	900206
13	Idler Arm	902011
14	Idler Spacer	N/A
15	Idler Pulley	900205
16	Locknut, 5/8	000972

Ref#	Description	Part#
17	Base	902002
18	Bolt, 5/8 x 4-1/2	000645
19	Flatwasher, 5/8	001075
20	PTO Guard	900857
21	Hitch Pin	903143
22	Rubber Latch	400092
23	Flatwasher, 5/16	001030
24	Locknut, 5/16	002999
25	Lift Arm Pin w/ LockWasher & Nut	900110
26	Lock Washer, 7/8	900110.3
27	Nut, 7/8	900110.2
28	Lynch Pin	500219
29	PTO Shaft Cradle	902236
30	Complete PTO Shaft	250000
31	Owner's Manual Canister	503050
32	3/8-16 x 3/8 Set Screw	001130

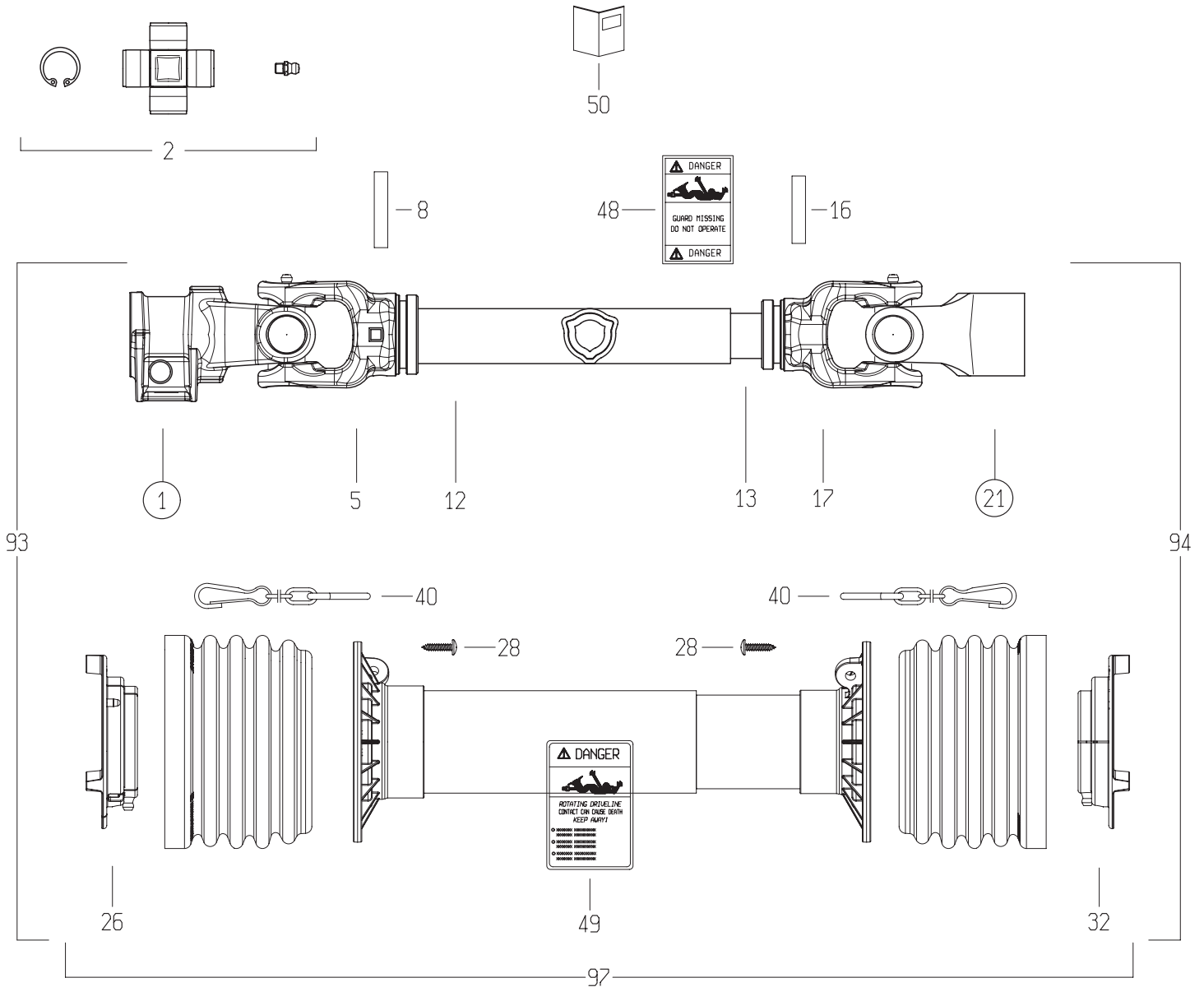
CX350 Base Assembly- NOV. 2022+



Ref#	Description	Part#
1	Belt Shield	902016
2	Nut, 7/16	000935
3	Lock Washer, 7/16	000830
4	Flange Bearing, 1"	700053
5	Flatwasher, 7/16	001045
6	Bolt, 7/16 x 1-3/4	000362
7	Jack Shaft	902013
8	Key, 1/4 x 2	400587
9	Pulley Bushing	900204
10	Pulley	900203
11	Eye Bolt, 3/8 x 3-1/4	902001
12	Idler Pulley Spring	900206
13	Idler Arm	902011
14	Idler Spacer	902381
15	Idler Pulley	900205
16	Locknut, 5/8	000972
17	Base	902002
18	Bolt, 5/8 x 4-1/2	000645
19	Flatwasher, 5/8	001075
20	PTO Guard	900857

Ref#	Description	Part#
21	Hitch Pin	903143
22	Rubber Latch	400092
23	Lock Washer, 5/16	000810
24	Hex Nut, 5/16	000910
25	Lift Arm Pin w/ LockWasher & Nut	900110
26	Lock Washer, 7/8	900110.3
27	Nut, 7/8	900110.2
28	Lynch Pin	500219
29	PTO Shaft Cradle	902236
30	Complete PTO Shaft	250000
31	Owner's Manual Canister	503050
32	5/16-18 X 3/4 Truss Head Bolt	000210
33	Bushing, .750 X 1.250	903146
34	Bushing, .750 X 1.000	903145
35	5/8-11 X 3-1/2 Hex Head Bolt	000627
36	3/8-16 Nylon Lock Nut, Zinc	003000
37	3/8 Uss Flat Washer, Zinc	001035
38	5/16-18 X 3/4 Hex Head Bolt Zinc	010005
39	3/8-16 x 3/8 Set Screw	001130

PTO Shaft Assembly S/N 89608+ (Bondioli)



Ref#	Description	Part#
1	Yoke #1/S1 1-3/8"Z6 Shrouded Pin (007)	700403
2	Cross Kit S1-G1 22X54 Cap Zerk	903325
5	Tube Yoke #1-G1 Outer (32.5)	903326
8	Flexible Roll Pin 8X45 Din1481	903327
12	Cardan Drive Tube #1 Outer 32.5X2.6x445	903328
13	Cardan Tube Inner 12502 L=445	903329
16	Flexible Roll Pin 8X40 Din1481	903330
17	Tube Yoke #1-G1 Inner (26.5)	903331
21	Yoke #1 Rb 1" Kw 1/4" (602)	903332
26	Shield Support G1 Outer Global	903333

Ref#	Description	Part#
28	Screw 4.8X22 Self Tap Zinc	500417
32	Shield Support G1 Inner Global	903334
40	Shield Chain W/S-Hook L=500Mm	500420
48	Label - Danger - Outer Drive Tube	500421
49	Label - Danger - Outer Shield Tube	500422
50	Instruction Booklet - N.america Global	500423
93	Half Shaft Cleared	903335
94	Half Shaft Cleared	903336
97	Complete Shield Kit	903337