

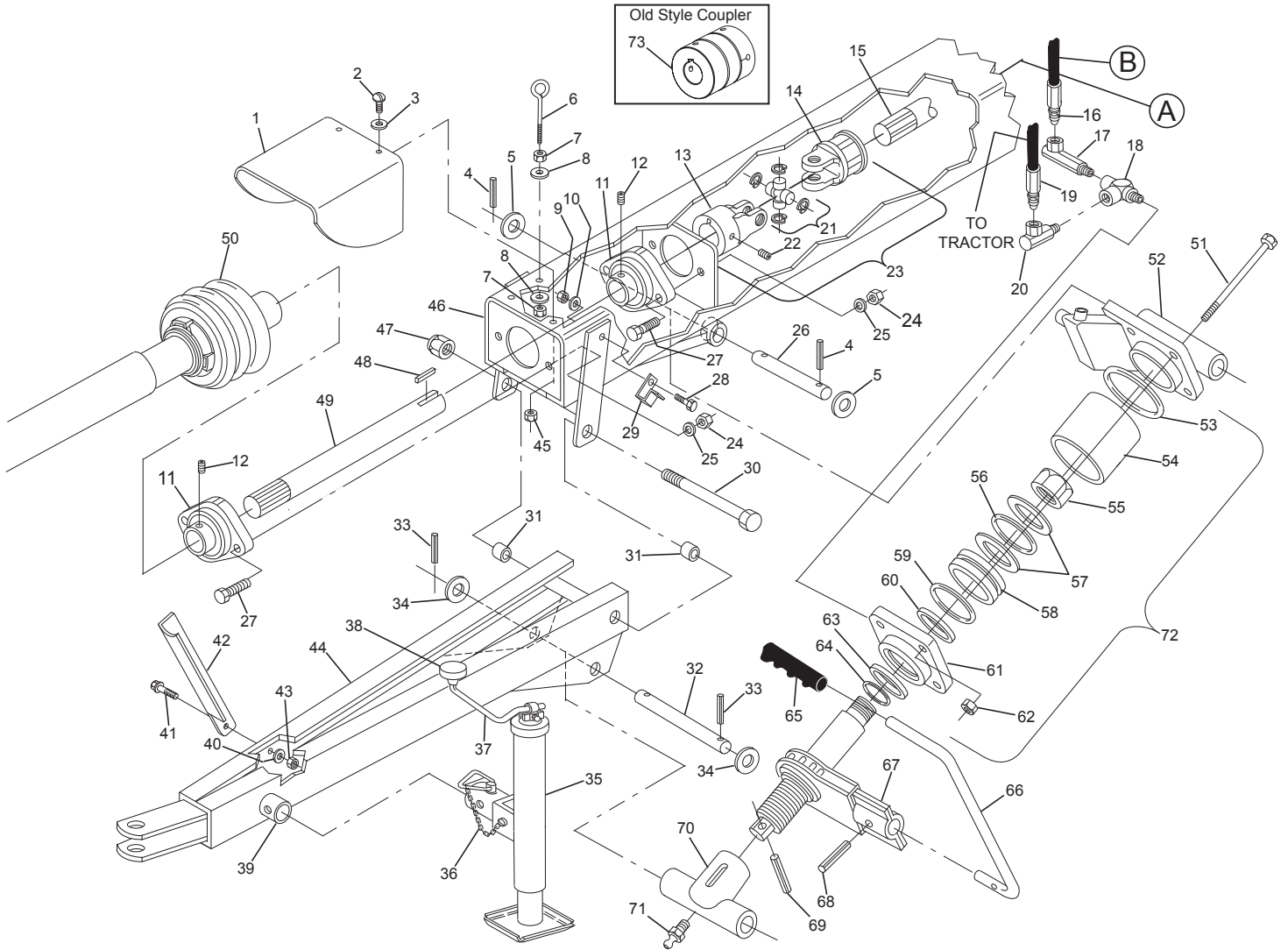


HR-10 Rotary Rake

Illustrated Parts Breakdown

- Page 1 Tongue & Main Frame Assembly
- Page 3 Lower Frame Assembly
- Page 5 Gearbox & Tine Arm
- Page 7 Guard Assembly, Old Style
- Page 9 Guard Assembly, New Style
- Page 11 PTO Shaft

Tongue & Main Frame Assembly

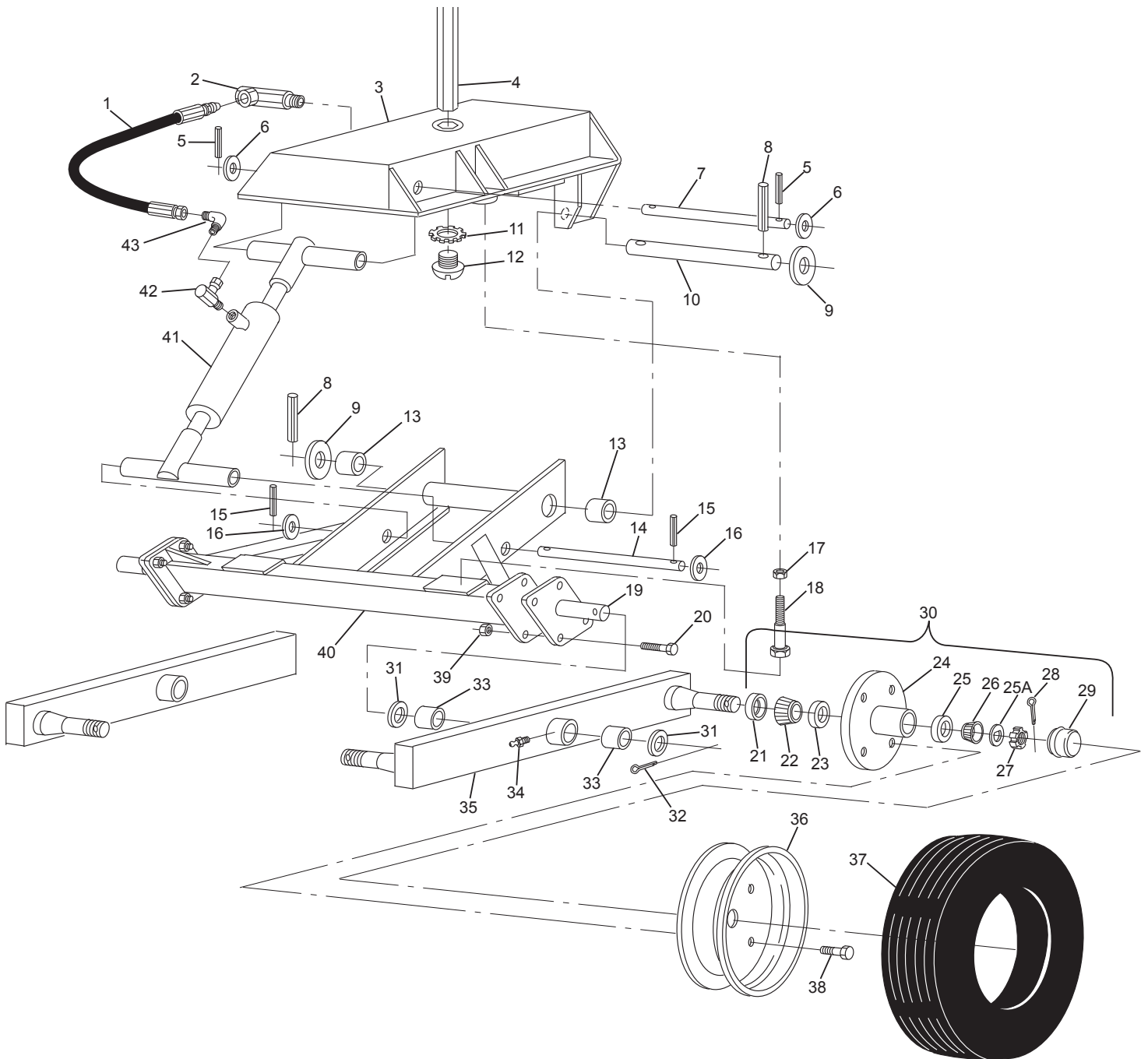


Tongue & Main Frame Assembly

ITEM #	PART #	DESCRIPTION
1	500066	PTO Guard
2	000210	bolt (5/16" x 3/4")
3	000810	lock washer (5/16")
4	500017	roll pin (1/4" x 2")
5	500018	machine bushing
6	500095	eye bolt (3/8" x 4")
7	000920	nut (3/8")
8	001105	fender washer (3/8")
9	000910	nut (5/16")
10	001030	washer (5/16")
11	500067	flange bearing
12	001120	set screw
13	500270	yoke w/ keyway
14	500269	yoke, splined
15	500232	pinion gear
16	500117	hose (77")
17	500123	90° fitting w/ swivel (long)
18	500125	street "T"
19	500118	hose (85")
20	500122	90° fitting w/ swivel (short)
21	500272	cross & bearing kit
22	500275	set screw
23	500268	universal coupler assembly
24	000950	lock nut (1/2")
25	001055	washer (1/2")
26	500075	tunnel cylinder pin
27	000435	bolt (1/2" x 1 1/2")
28	000210	slotted truss head bolt (5/16" x 3/4")
29	500096	handle bracket
30	500019	tongue bolt
31	500278	bushing
32	500016	tongue cylinder pin
33	500017	roll pin (1/4" x 2")
34	500018	machine bushing
35	500009	complete jack
36	500012	pin w/ chain
37	500010	handle

ITEM #	PART #	DESCRIPTION
38	500011	knob & cap nut
39	500084	jack mount bracket
40	001035	washer 3/8
41	000270	bolt (3/8" x 1")
42	500015	PTO stand
43	000925	lock nut (3/8")
44	500000	tongue
45	000920	nut (3/8")
46	500068	tunnel assembly
47	001012	lock nut (1")
48	500271	key
49	500277	drive shaft
50	500022	PTO shaft
51	000512	bolt (1/2" x 5")
52	500103	cylinder base
53	500104	"O" ring
54	500105	cylinder tub
55	001011	nut (1")
56	500107	"O" ring
57	500106	backer
58	500108	piston
59	500109	"O" ring
60	500111	oil seal
61	500110	cylinder head
63	500112	rod wiper
62	000947	nut (1/2")
64	500099	"O" ring
65	500115	handle grip
66	500114	handle
67	500100	cylinder shaft w/ ratchet
68	500187	roll pin (1/4" x 1 3/4")
69	500102	roll pin (1/4" x 1 1/4")
70	500098	"T" coupling
71	500113	grease fitting
72	500097	ratchet cylinder
	500298	ratchet cylinder seal kit
	502297	hydraulic manifold block
73	500403	Old Style Coupler

Lower Frame Assembly

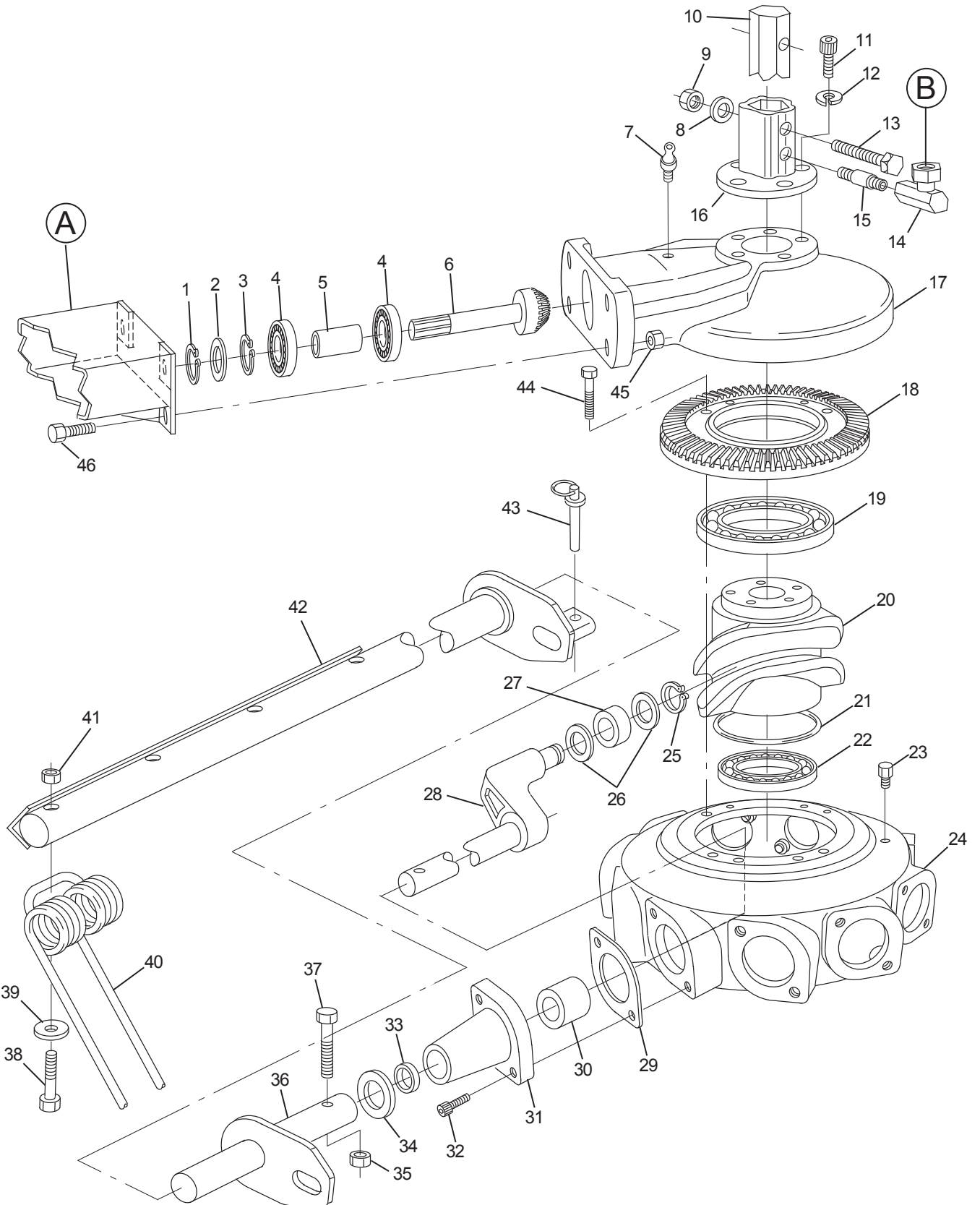


Lower Frame Assembly

ITEM #	PART #	DESCRIPTION
1	500116	Hose
2	500123	90° fitting w/ swivel (long)
3	500159	head
4	500258	Hexagon Shaft
5	500017	roll pin (1/4"x 2")
6	500185	machine bushing
7	500183	cylinder / head pin
8	500187	roll pin (1/4" x 1 3/4")
9	500186	machine bushing
10	500184	head axle pin
11	001087	tooth washer (3/4")
12	000693	socket head cap screw (3/4" x 3/4")
13	500278	bushing
14	500170	axle / cylinder pin
15	500017	roll pin (1/4" x 2")
16	500185	machine bushing
17	001010	nut (1")
18	000785	bolt (1" x 5")
19	500188	Tandem Axle Spindle Assembly
20	000445	bolt (1/2" x 1 3/4")
21	500201	seal
22	500202	inner bearing
23	500204	inner race
24	500200	hub
25	500205	outer race
25A	500206	spindle washer
26	500203	outer bearing
27	500207	spindle nut
28	500208	cotter pin
29	500209	dust cap
30	500199	hub assembly
31	500191	machine bushing
32	500192	cotter pin (3/16" x 2")
33	300012	bushing
34	400118	grease fitting
35	500193	walking beam
36	500222	wheel

ITEM #	PART #	DESCRIPTION
37	500221	tire
38	500210	lug bolt
39	000950	lock nut (1/2")
40	500173	Axle Assembly
41	500172	Rear Cylinder
42	500122	90° Fitting with swivel (short)
NS	500220	Tire and Rim Assembly

Gearbox & Tine Arm

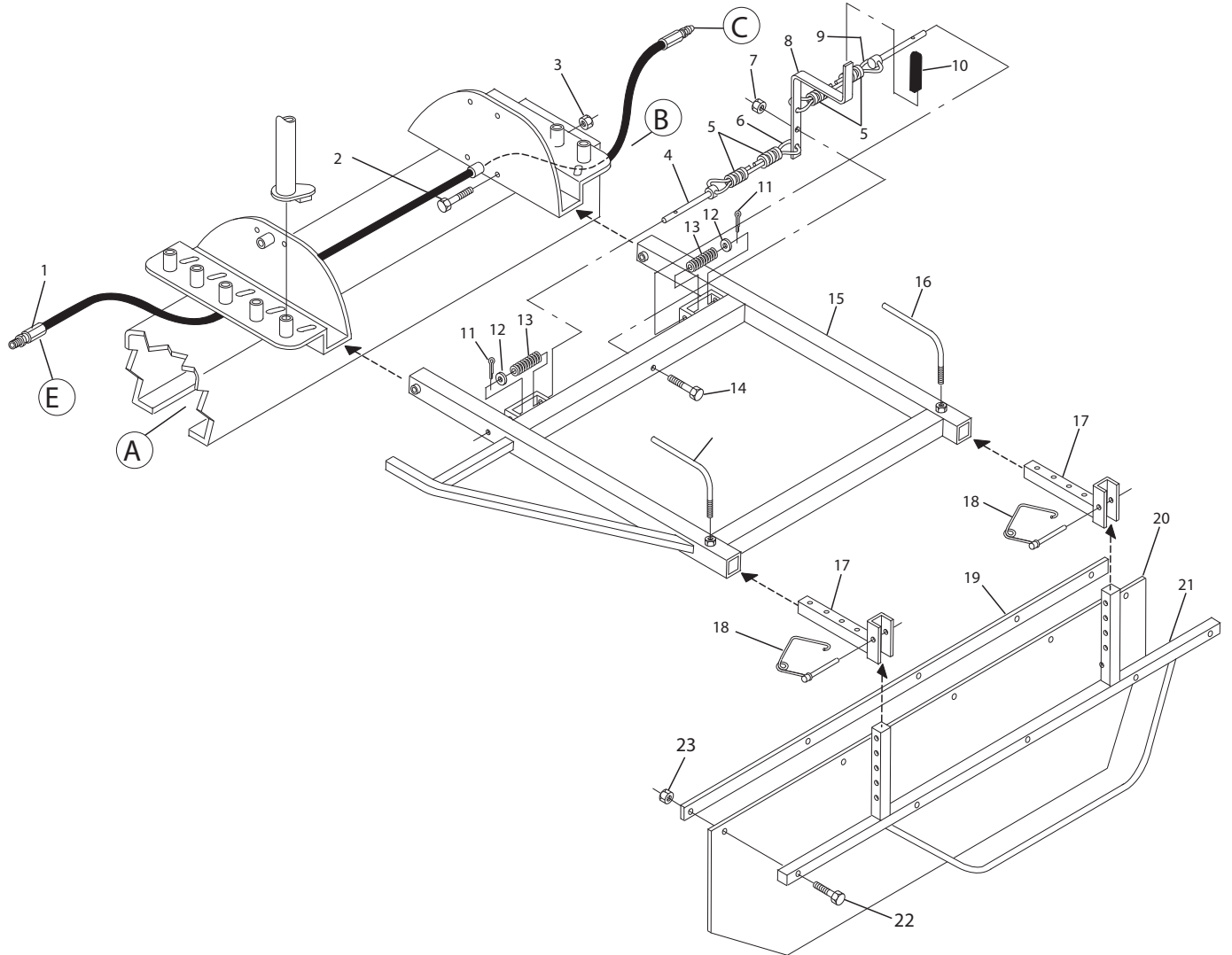


Gearbox & Tine Arm

ITEM #	PART #	DESCRIPTION
1	500227	retaining ring
2	500228	washer
3	500229	retaining ring
4	500230	bearing
5	500231	spacer
6	500232	pinion gear
7	500233	grease fitting
8	500234	lock washer
9	500235	nut
10	500258	hexagon shaft
11	500236	bolt
12	500237	lock washer
13	500238	bolt
14	500124	90° fitting w/ swivel
15	500239	nipple
16	500240	hexagon shaft cover
17	500241	gear box cover
18	500242	ring gear
19	500243	upper bearing
20	500244	cam track
21	500245	seal
22	500246	lower bearing
23	500247	oil plug
24	500248	gear box housing
25	500249	retainer ring
26	500250	washer
27	500251	cam roller
28	500252	crank arm
29	500253	gasket
30	500254	spacer
31	500255	cast arm support
32	500256	bolt
33	500257	seal
34	500279	bushing
35	002822	lock nut (M 10)
36	500259	stub arm, 16" overall length
	500297	old style stub arm, 7" overall length

ITEM #	PART #	DESCRIPTION
37	002455	bolt (M 10 x 55)
38	000482	bolt (1/2" x 3 1/2" grade 8)
39	000520	washer
40	500218	tine, curved
	500294	old stye tine, bent
41	000950	lock nut
42	500211	tine arm, 44"
	500296	tine arm, 49"
43	500219	quick pin
44	002426	socket head bolt (M 10 x 25)
45	002826	lock nut (M 14)
46	002655	bolt (M 14 x 55)
47	500226	gear box complete
N.A.	KITR05	TINE CLIP UPDATE KIT (CUT OFF ANGLE)

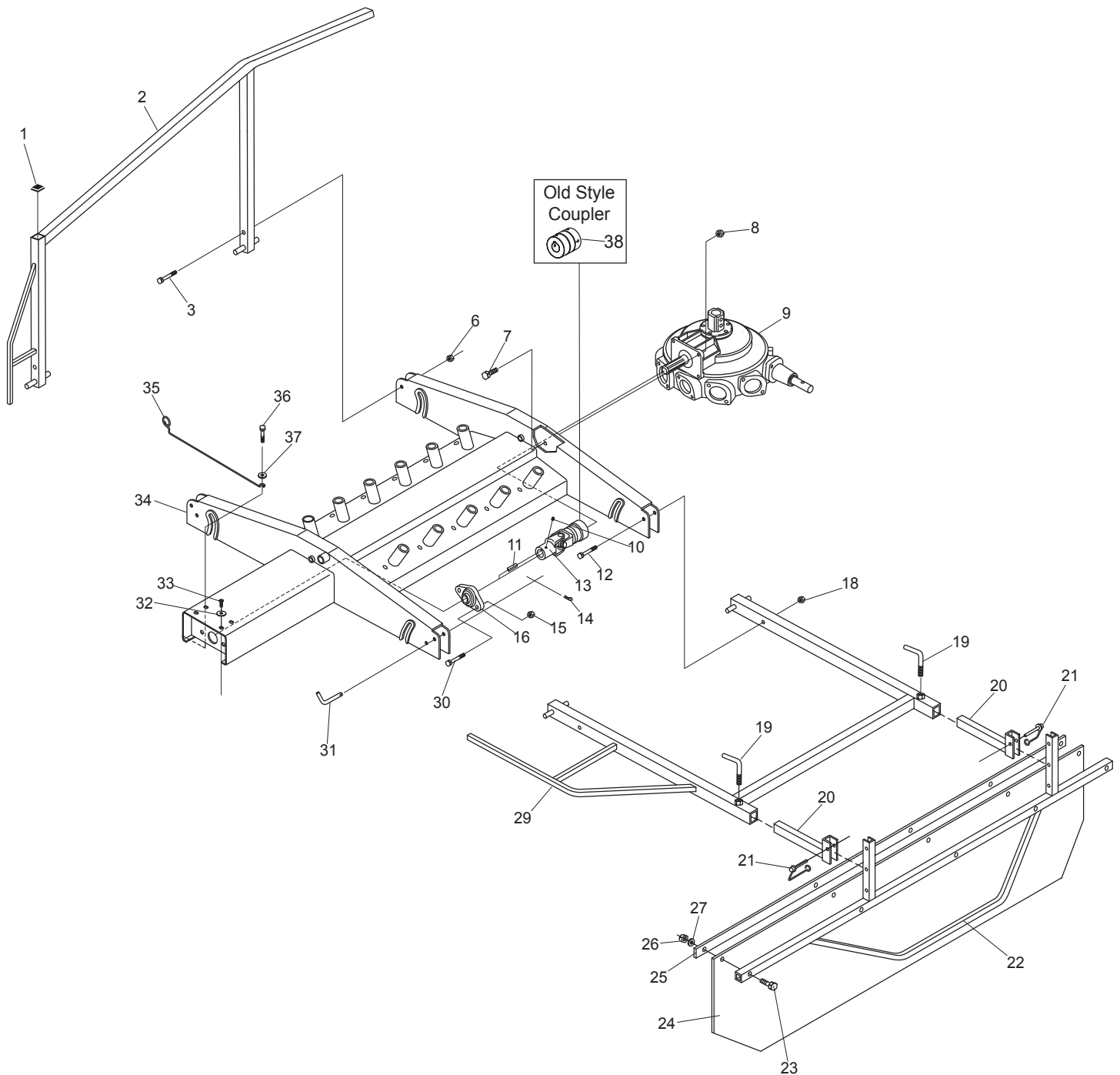
Guard Assembly, Old Style



Guard Assembly, Old Style

ITEM #	PART #	DESCRIPTION
1	500117	hose (77")
2	000487	bolt (1/2" x 3 3/4")
3	000950	lock nut
4	500140	pin
5	500139	cable ferrule
6	500281	cable (12")
7	000925	lock nut
8	500137	handle
9	500282	rear cable (24")
10	500280	handle grip
11	500142	cotter pin (3/32" x 1 1/2")
12	001061	washer
13	500141	spring
14	000307	bolt (3/8"x 3")
15	500143	left hand guard frame
16	500148	curtain set bolt
17	500149	telescoping tube
18	500158	snap pin
19	500155	curtain bar
20	500156	curtain
21	500152	curtain hanger
22	000187	bolt (1/4" x 1 3/4")
23	000901	lock nut
NS	500126	right guard frame
NS	500138	cable for right guard assembly

Guard Assembly, New Style



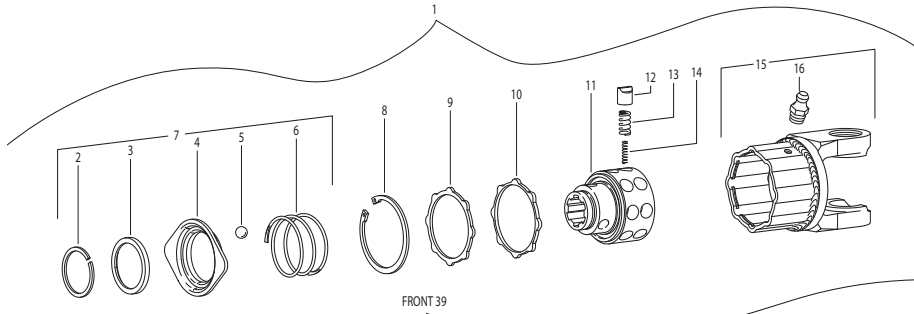
Guard Assembly, New Style

ITEM	DESCRIPTION	PART#
1	Square Plug	500131
2	Right Guard Assembly	503070
3	Bolt, 1/2 x 3-1/2	000480
6	Locknut, 1/2	000950
7	Bolt, M16 x 55	002699
8	M16 Nylon Locknut	002828
9	Complete Gearbox	500226
10	Set Screw, 3/8 x 3/8	001130
11	Key, 5/16 x 1-3/4	500217
12	Bolt, 1/2 x 3-1/2	000480
13	12 Series U-Joint	500268
14	Safety Clip	200011
15	Locknut, 1/2	000950
16	1-3/8 2-Bolt Flange Bearing	500067
18	Locknut, 1/2	000950
19	Curtain Set Bolt	500148
20	Telescoping Tube	500149

ITEM	DESCRIPTION	PART#
21	3/8 Snapper Pin	500158
22	Curtain Mount Assembly	500152
23	Bolt, 1/4 x 1-3/4	000187
24	Hay Curtain	500156
25	Curtain Bar	500155
26	Locknut, 1/4	003001
27	Flat Washer, 1/4	001020
29	Left Guard Assembly	503075
30	Bolt, 1/2 x 1-1/2	000435
31	1/2 x 3 Bent Pull Pin	100330
32	5/16 Fender Washer	001100
33	Bolt, 5/16 x 3/4	000210
34	Tunnel Assembly	500068
35	Hose Support	502288
36	Bolt, 5/16 x 1-1/4	000230
37	Hose Support Washer	502308
38	Old Style Coupler	500403

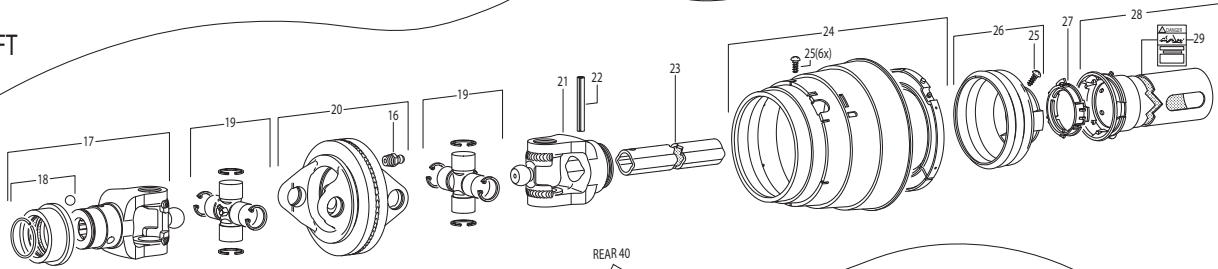
PTO Shaft

CLUTCH

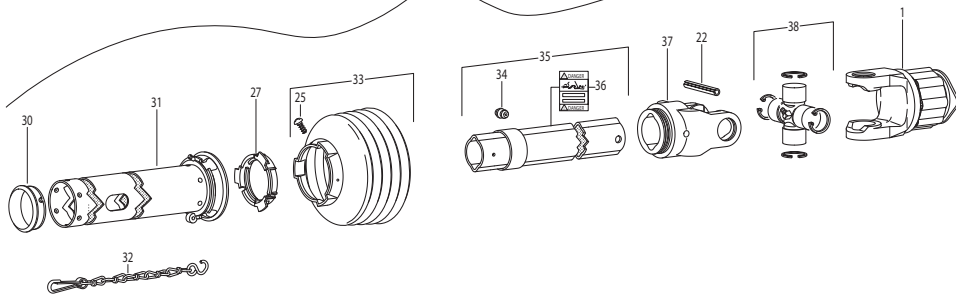


FRONT 39

SHAFT



REAR 40



41

