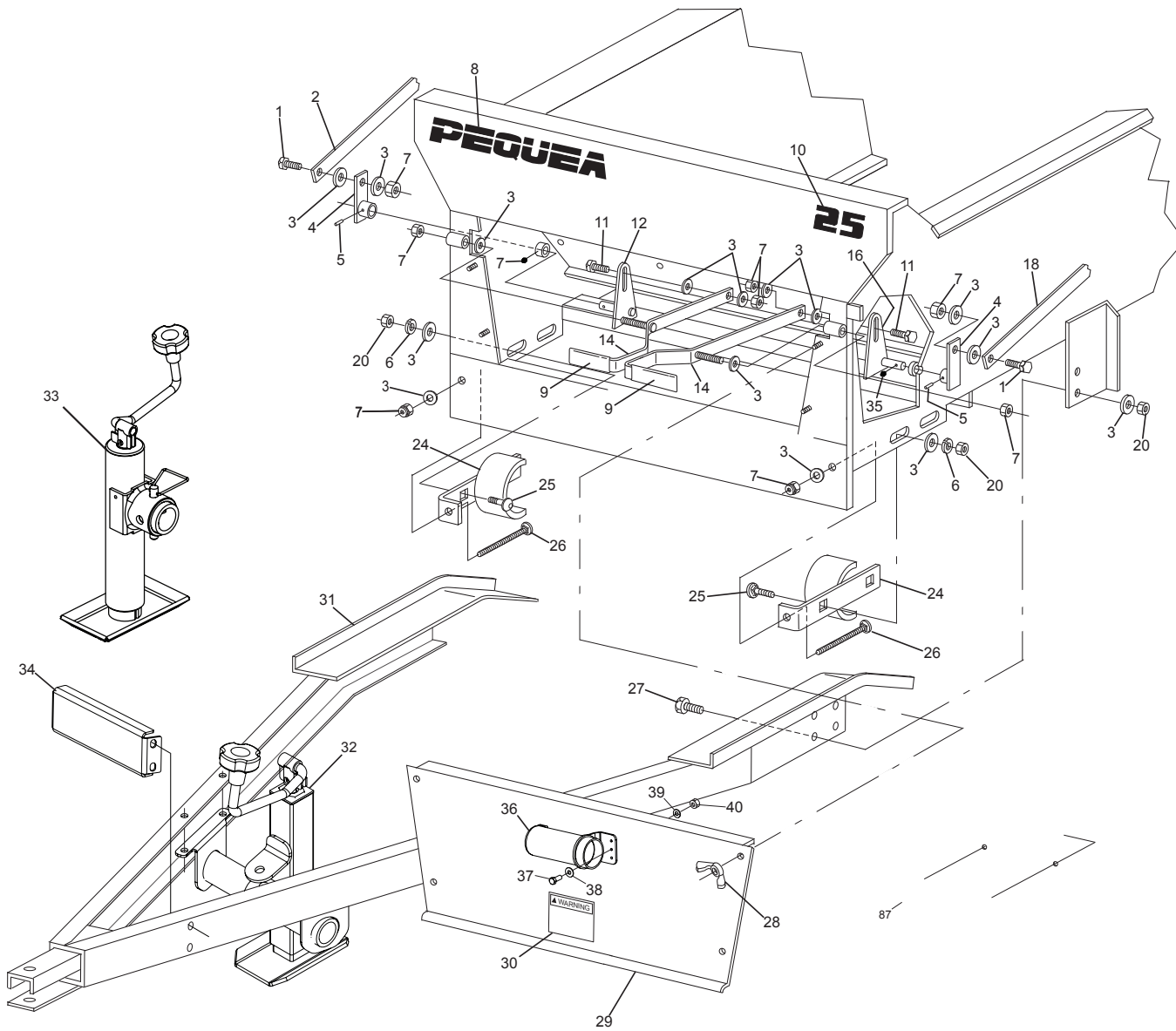
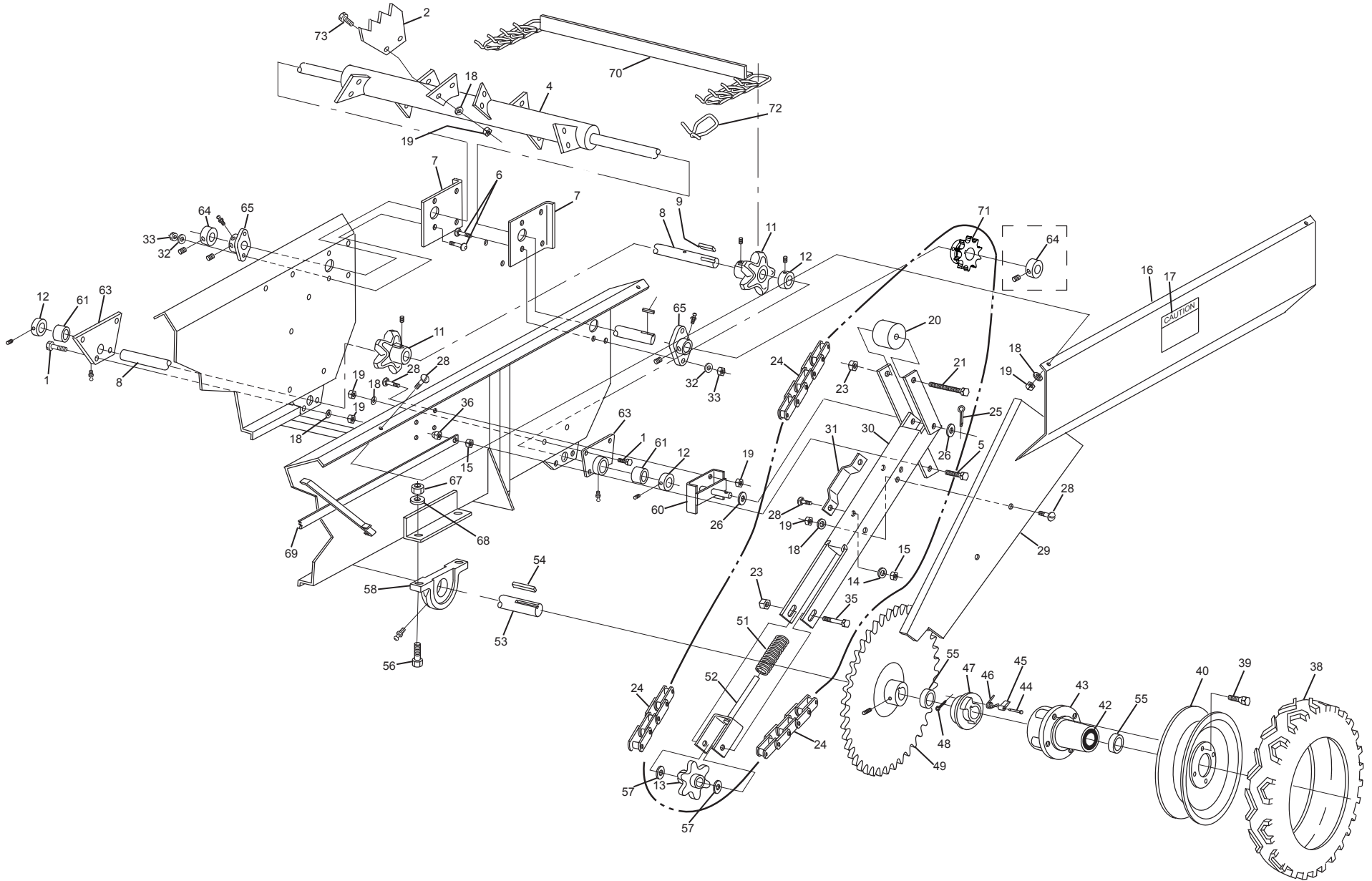


25G Manure Spreader - Front



Ref#	Part#	Description
1	000275	Bolt, 3/8 x 1-1/4
2	401210	Push Arm Control Assembly
3	001035	Flat Washer, 3/8
4	401278	Engaging Linkage Assembly
5	401375	Roll Pin, 3/16 x 1 1/2
6	000820	Lock Washer, 3/8
7	003000	Locknut, 3/8
8	100161	Large Pequea Decal
9	401289	Handle Grip
10	401284	Model 25 Decal
11	000270	Bolt, 3/8 x 1
12	401277	Lever Pivot Assembly, Right
14	401201	Engaging Lever
16	401275	Lever Pivot Assembly, Left
18	401261	Lifter Arm Control Arm
20	000915	Nut, 3/8
24	401282	Front Web Idler Assembly
25	000130	Carriage Bolt, 3/8
26	000132	Carriage Bolt, 3/8 x 3-1/2
27	000245	Bolt, 3/8 x 3/4
28	000905	Wing Nut, 1/4
29	401095	Front Lid
30	400178	Warning Decal
31	401269	Hitch Assembly
32	401326	Jack Assembly S/N -92015
33	401295	Jack Assembly S/N 92015+
34	401841	Hitch Brace
35	400118	1/8" Grease Fitting
36	503050	Operator's Manuals Canister
37	000175	1/4" x 3/4" Hex Head Bolt
38	001020	1/4" USS Flat Washer
39	000805	1/4" Lock Washer
40	000900	1/4" Hex Nut

25G Manure Spreader - Left Side

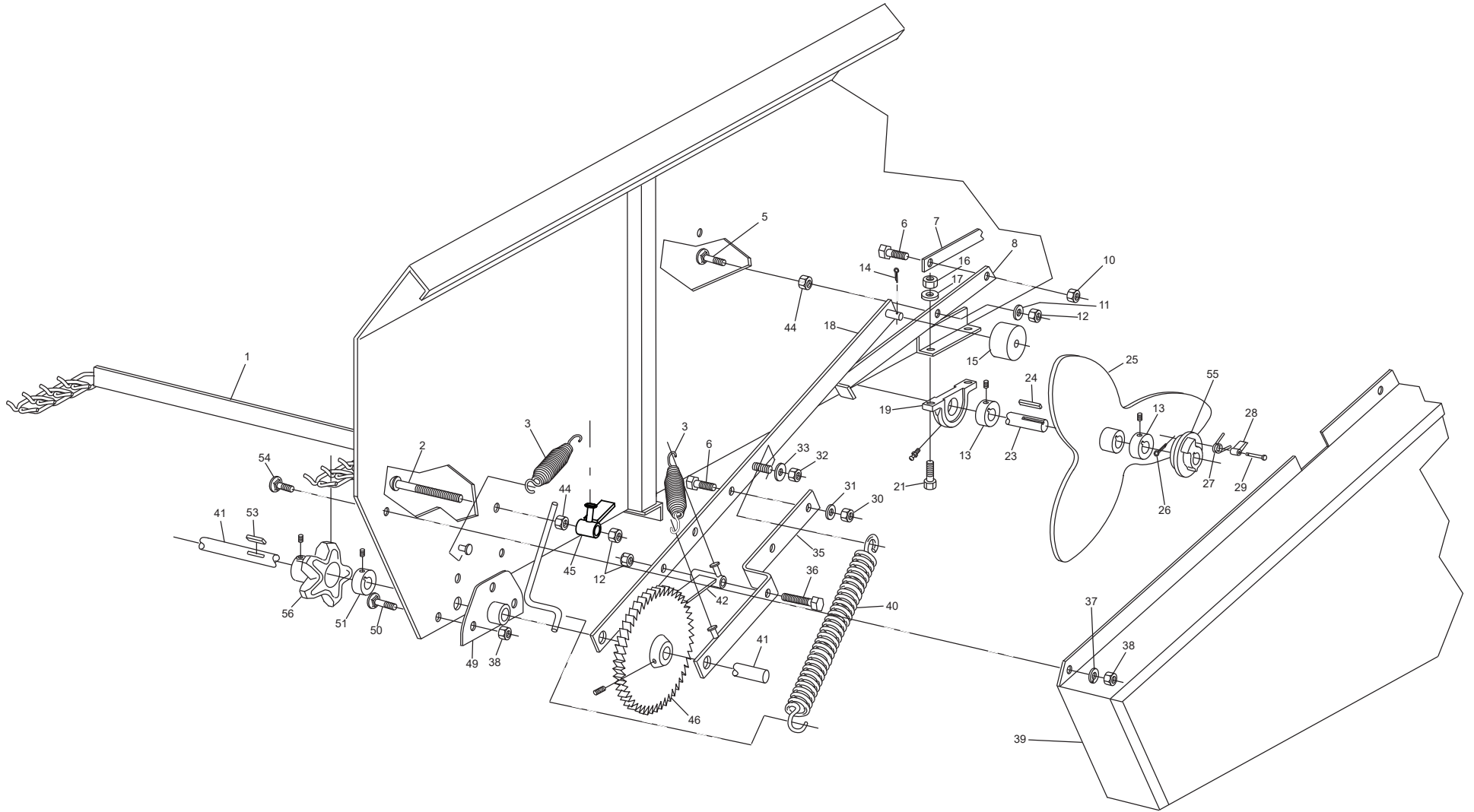


25G Manure Spreader - Left Side

Ref#	Part#	Description
1	000119	Bolt, 5/16 x 1
2A	401309	Beater Paddle, Right
2B	401060	Beater Paddle, Left
3	002999	Locknut, 5/16
4	401057	Widespread Shaft Assembly
5	000275	Bolt, 3/8 x 1-1/4
6	000360	Bolt, 7/16 x 1-1/2
7	401064	Beater Bearing Bracket
8	401252	Web Shaft
9	401263	Key, 3/16 x 1-3/4
11	401266	Web Sprocket
12	300053	Shaft Collar, 7/8
13	400399	Idler Sprocket
14	000820	Lockwasher, 3/8
15	000915	Nut, 3/8
16	401206	Drive Chain Shield
17	400179	Caution Decal
18	000810	Lock Washer, 5/16
19	000910	Nut, 5/16
20	401232	Drive Chain Idler
21	000460	Bolt, 1/2 x 2-1/2
23	000950	Locknut, 1/2
24	401291	Drive Chain
25	001210	Cotter Pin, 1/8 x 1
26	401311	Spacer
28	000210	5/16 x 3/4 Truss Head Bolt
29	401097	Lifter Arm Chain Shield
30	401270	Lifter Arm Weld Assembly
31	400235	Guide Bracket
32	000830	Lock Washer, 7/16
33	000935	Nut, 7/16
35	000460	Bolt, 1/2 x 2-1/2
36	000920	3/8" Jam Locknut
38	401373	Tire

Ref#	Part#	Description
39	401497	Lug Bolt
40	401374	Rim
38 & 40	401285	Rim & Tire Assembly, Left
38 & 40	401286	Rim & Tire Assembly, Right
42	401250	Hub Bushing
43	401244	Hub
44	401028	Clevis Pin
45A	401327	Hub Dawg, Left
45B	401009	Hub Dawg, Right
46A	401034	Dawg Spring, Left
46B	401027	Dawg Spring, Right
47	401246	Backing Hub
48	100329	Cotter Pin, 5/32 x 1
49	401185	Drive Sprocket
51	401287	Tightener Spring
52	401214	Tightener Sprocket Bracket
53	401193	Axle Shaft
54	400115	Key, 1/4 x 1-1/4
55	401476	Shaft Collar, 1-1/4
56	000615	Bolt, 5/8 x 2
57	001055	Flatwasher, 1/2
58	401293	Axle Bearing
60	401217	Lifter Arm Pivot Assembly
61	401219	Web Bushing
63	401220	Web Bearing
64	400143	Shaft Collar, 1"
65	401294	Flange Bearing, 1"
67	000970	Nut, 5/8
68	000860	Lock Washer, 5/8
69	401261	Lifter Arm Control Arm
70	401279	Web Slat
71	401290	Widespread Sprocket
72	401184	T-Rod Link
73	010005	Bolt, 5/16 x 3/4

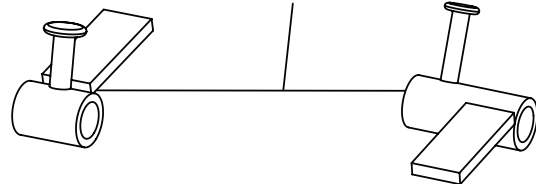
25G Manure Spreader - Right Side



New Part

45

Old Part



10/05/2020

401271

401891

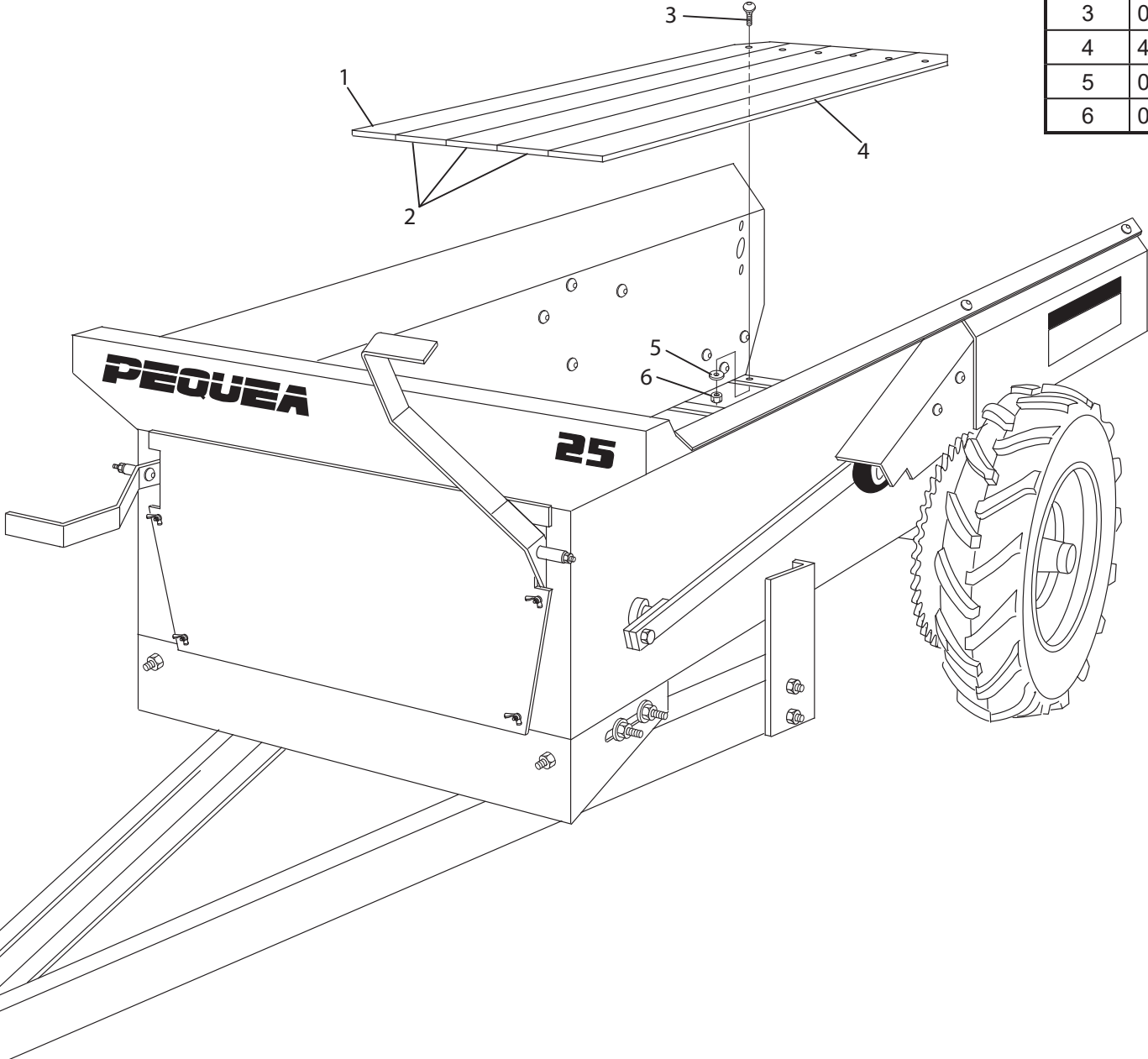
25G Manure Spreader - Right Side

Ref#	Part#	Description
1	401279	Web Slat
2	000476	1/2 x 3 All Thread Bolt
3	400116	Dawg Spring
5	000435	Bolt, 1/2 x 1-1/2
6	000250	Bolt, 3/8 x 7/8
7	401210	Push Arm Control Arm
8	401280	Push Arm Engaging Arm
10	003000	Locknut, 3/8
11	001055	Flatwasher, 1/2
12	000752	Nylon Jam Nut, 1/2
14	001220	Cotter Pin, 3/16 x 1-1/2
15	401299	Cam Roller
16	000970	Nut, 5/8
17	000860	Lock Washer, 5/8
18	401297	Push Arm Weld Assembly
19	401293	Axle Bearing
21	000615	Bolt, 5/8 x 2
23	401193	Axle Shaft
24	400115	Key, 1/4 x 1-1/4
25	401259	Star Hub
26	400147	Cotter Pin, 5/32 x 1
27A	401034	Hub Dawg Spring, Left
27B	401027	Hub Dawg Spring, Right
28A	401327	Hub Dawg, Left

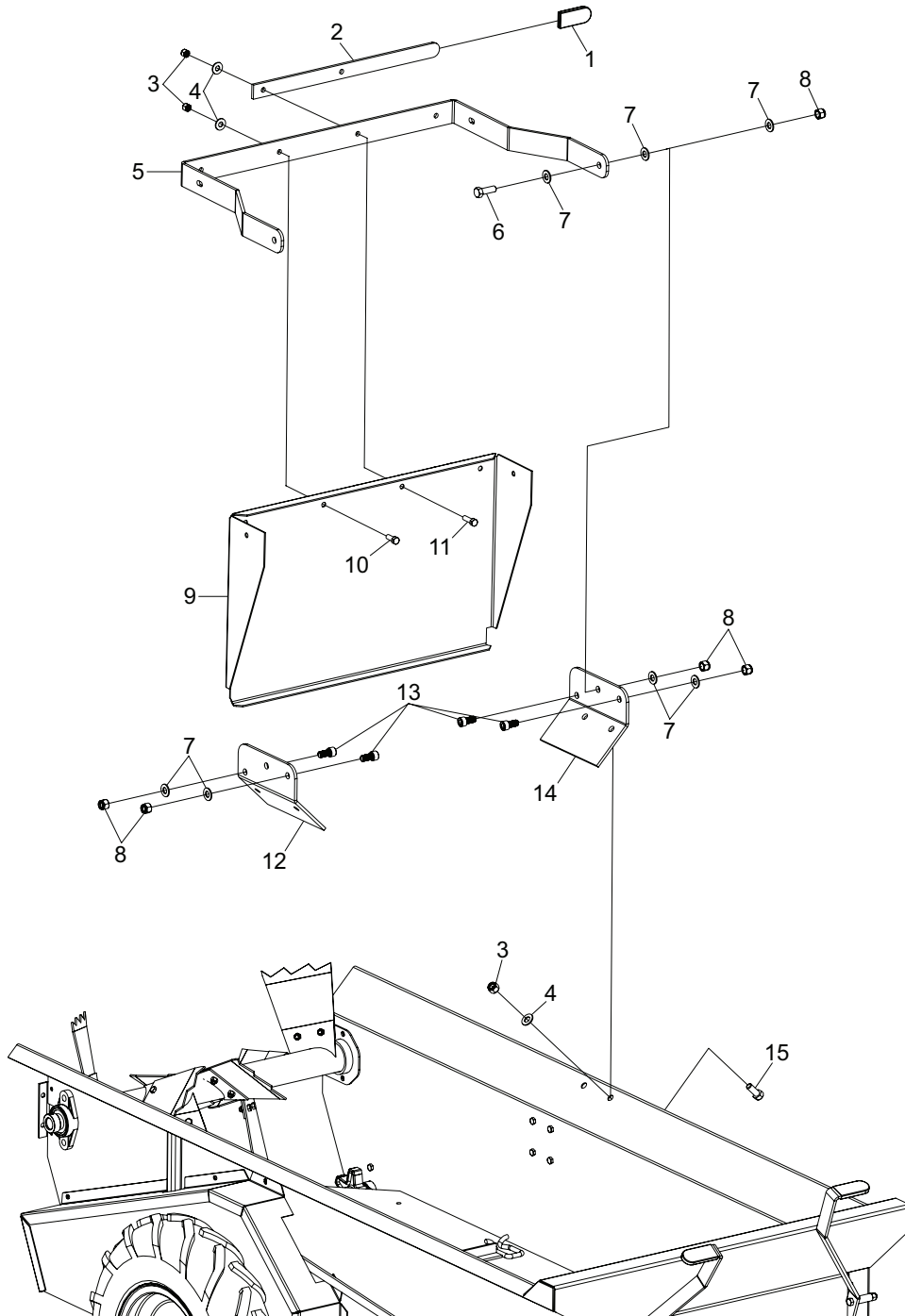
Ref#	Part#	Description
28B	401009	Hub Dawg, Right
29	401028	Clevis Pin
30	000915	Nut, 3/8
31	000820	Lock Washer, 3/8
32	003000	Locknut, 3/8
33	001035	Flatwasher, 3/8
35	401300	Ratchet Arm Assembly
36	000470	Bolt, 1/2 x 3
37	000810	Lock Washer, 5/16
38	000910	Nut, 5/16
39	401240	Push Arm Shield Assembly
40	400404	Spring
41	401252	Web Shaft
42	401255	Ratchet Dawg Assembly
44	000940	1/2" Hex Nut
45	401271	Idler Dawg Assembly
45*	401891	Idler Dawg Assembly (Optional)
46	401260	Ratchet Wheel Assembly
49	401220	Web Bearing
50	000220	Bolt, 5/16 x 1
51	300053	Shaft Collar, 7/8
53	401263	Key, 3/16 x 1-3/4
54	000210	5/16 x 3/4 Truss Head Bolt
55	401246	Backing Hub
56	401266	Web Sprocket

25G Manure Spreader - Floor

Ref#	Part#	Description
1	401239	Floor Board, Right
2	401237	Floor Board, Main
3	000151	Carriage Bolt, 3/8 x 1-1/2
4	401238	Floor Board, Left
5	000820	Lock Washer, 3/8
6	000915	Nut, 3/8

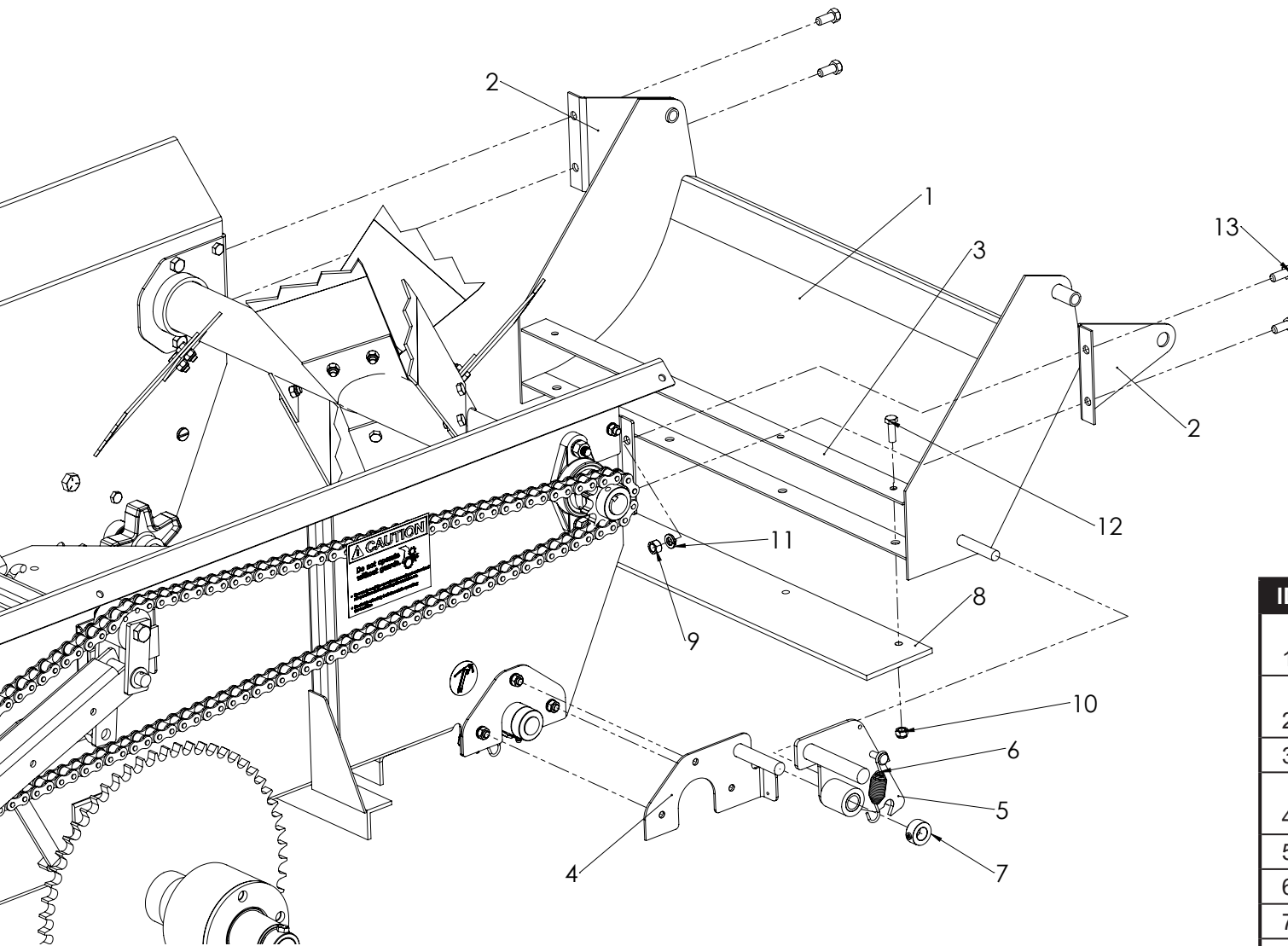


25/35G Endgate Option



ID	Description	Part#	Qty
1	Rubber Handle Cover	401289	1
2	Engate Handle	401157	1
3	3/8" Nylon Lock Nut	003000	6
4	3/8" Flat Washer	001035	6
5	Endgate Arm	401153	1
6	1/2" x 1-1/2" Hex Head Bolt	000435	2
7	1/2" Flat Washer	001061	12
8	1/2" Nylon Lock Nut	000950	10
9	Endgate Panel	401154	1
10	3/8" x 1" Hex Head Bolt	000270	4
11	3/8" x 1-1/4" Hex Head Bolt	000275	2
12	Endgate Bracket, Right	401156	1
13	1/2" x 1" Socket Head Bolt	000404	4
14	Endgate Bracket, Left	401152	1
15	3/8" x 1-1/4" Hex Head Bolt	000275	4

35G Fine Spread Pan Option



ID	Description	Part#
1	FINE SPREAD PAN WELD ASM,- 25G/35G	401356
2	Mounting Bracket, Finespread Pan	401330
3	Rubber Holder, Finespread Pan	401345
4	LATCH MOUNT ASSEMBLY,- 25G/35G PAN	401359
5	LATCH ASSEMBLY,- 25G PAN	401358
6	Spring, Extension Spring Swivel	400116
7	.625 Plated Shaft Collar	400856
8	Rubber, 25/35 Fine Spread Pan	401353
9	3/8-16 Hex Nut, Gr.5 Zinc	000915
10	5/16-18 Nylon Lock Nut, Zinc	002999
11	3/8" Split Lock Washer	000820
12	5/16-18 x 1 HHB Gr. 5	000221
13	3/8-16 x 7/8 HHB Gr. 5	000250