



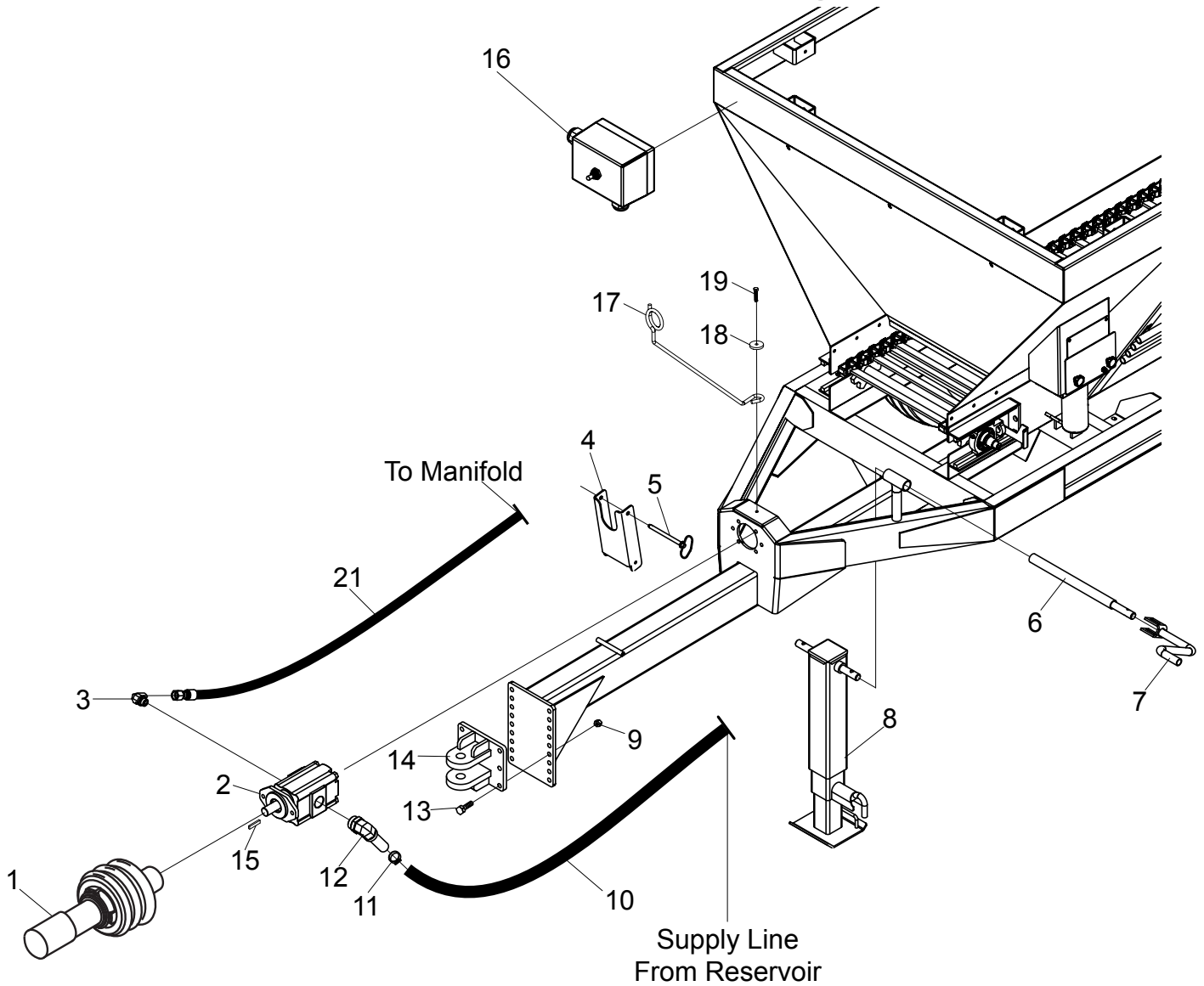
# Lime Spreader

Model SL6

## Illustrated Parts Breakdown

<b>Page 1</b>	<b>Front End</b>
<b>Page 2</b>	<b>Front Hydraulics</b>
<b>Page 3</b>	<b>Rear Hydraulics</b>
<b>Page 4</b>	<b>Manifold Components</b>
<b>Page 5</b>	<b>Floor &amp; Apron</b>
<b>Page 6</b>	<b>Axle Assembly</b>
<b>Page 7</b>	<b>Apron Drive</b>
<b>Page 8</b>	<b>Rear Gate</b>
<b>Page 9</b>	<b>Spinner Assembly</b>
<b>Page 10</b>	<b>Switch Box</b>

# Front End Assembly



Ref#	Description	Part#
1	Complete PTO Shaft, 540 RPM	830170
	Complete PTO Shaft w/ CV joint, 540 RPM	830244
	Complete PTO Shield Kit without CV joint	830628
	Complete PTO Shield Kit with CV joint	830612
2	PTO Pump, 540 RPM	891072
3	90° Fitting (16MB - 12MJ)	830538
4	PTO Stand	830114
5	1/2 x 6-1/2 Hitch Pin	830243
6	Jack Handle Extension	891078
7	Jack Handle	100448
8	Drop Leg Jack	100427

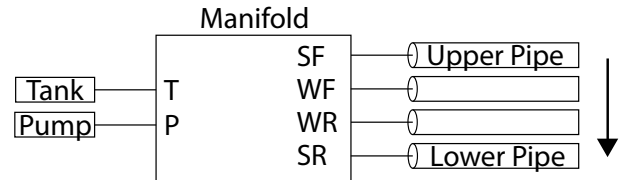
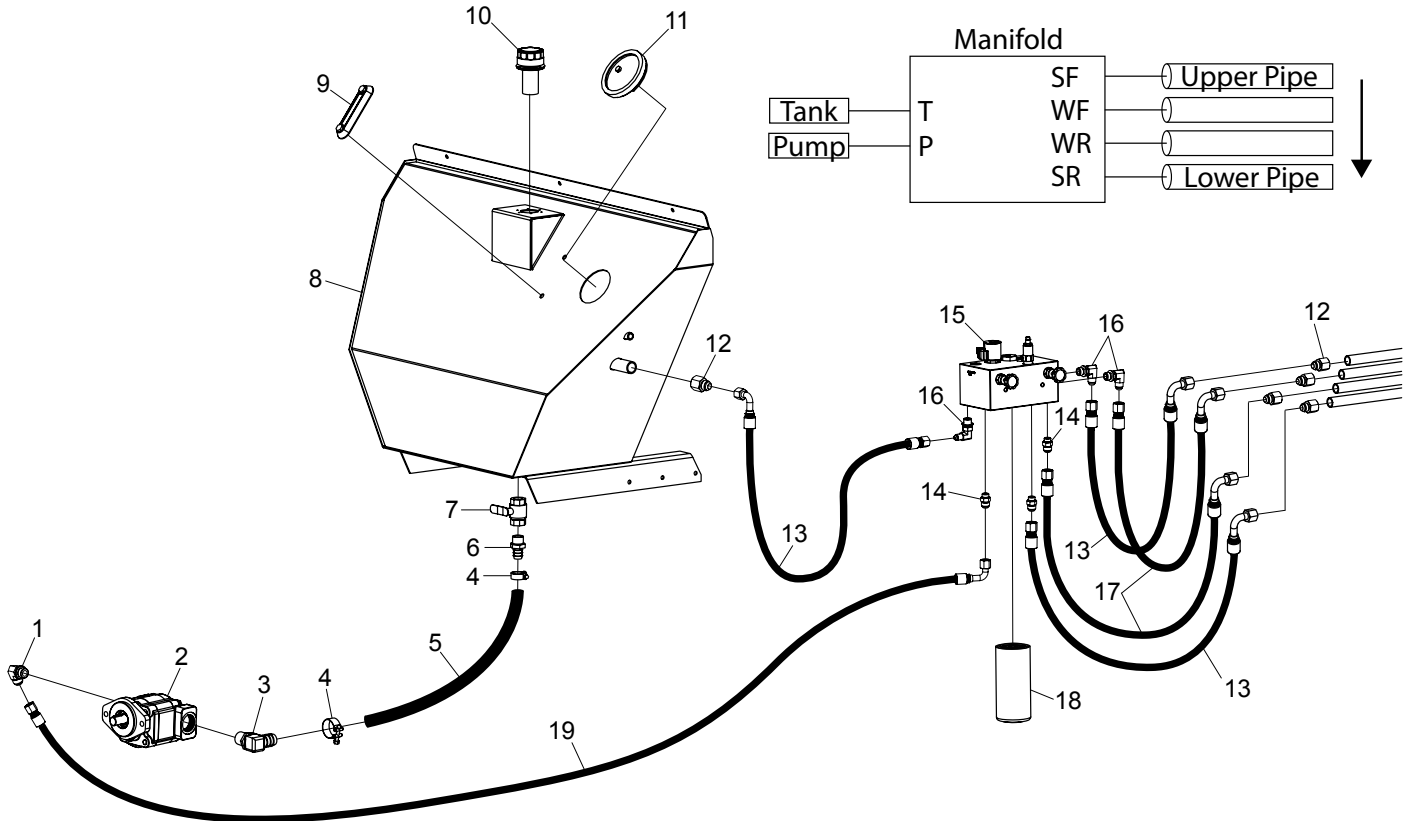
Ref#	Description	Part#
9	Hex Nut, 5/8	000970
10	26" 1-1/4" Suction Hose	891213
11	1-1/4" Suction Hose Clamp	290169
12	90° Suction Hose Fitting	830357
13	Hex Bolt, 5/8 x 2-1/2	000620
14	Bolt-on Hitch	830056
15	Pump Shaft Key	830344
16	Switchbox	830242
17	Hose Support	502288
18	Hose Support Washer	502308
19	5/16" x 1-1/2" Bolt	000225

[Previous Page](#)

[Next Page](#)

[Back to Index](#)

# Front Hydraulics



Ref#	Description	Part#
1	90° Fitting (16MB - 12MJ)	830538
2	P257 Pump	891072
3	90° Suction Hose Fitting	830357
4	1-1/2" SV Hose Clamp	290169
5	26" 1-1/4" Suction Hose	891213
6	Straight Fitting (20HB x 20MP)	290187
7	Ball Valve	830355
8	Front Tank Weld Assembly	891060
9	Hydraulic Tank Sight Gauge	290054
10	4" Tank Filler Breather Cap	290142

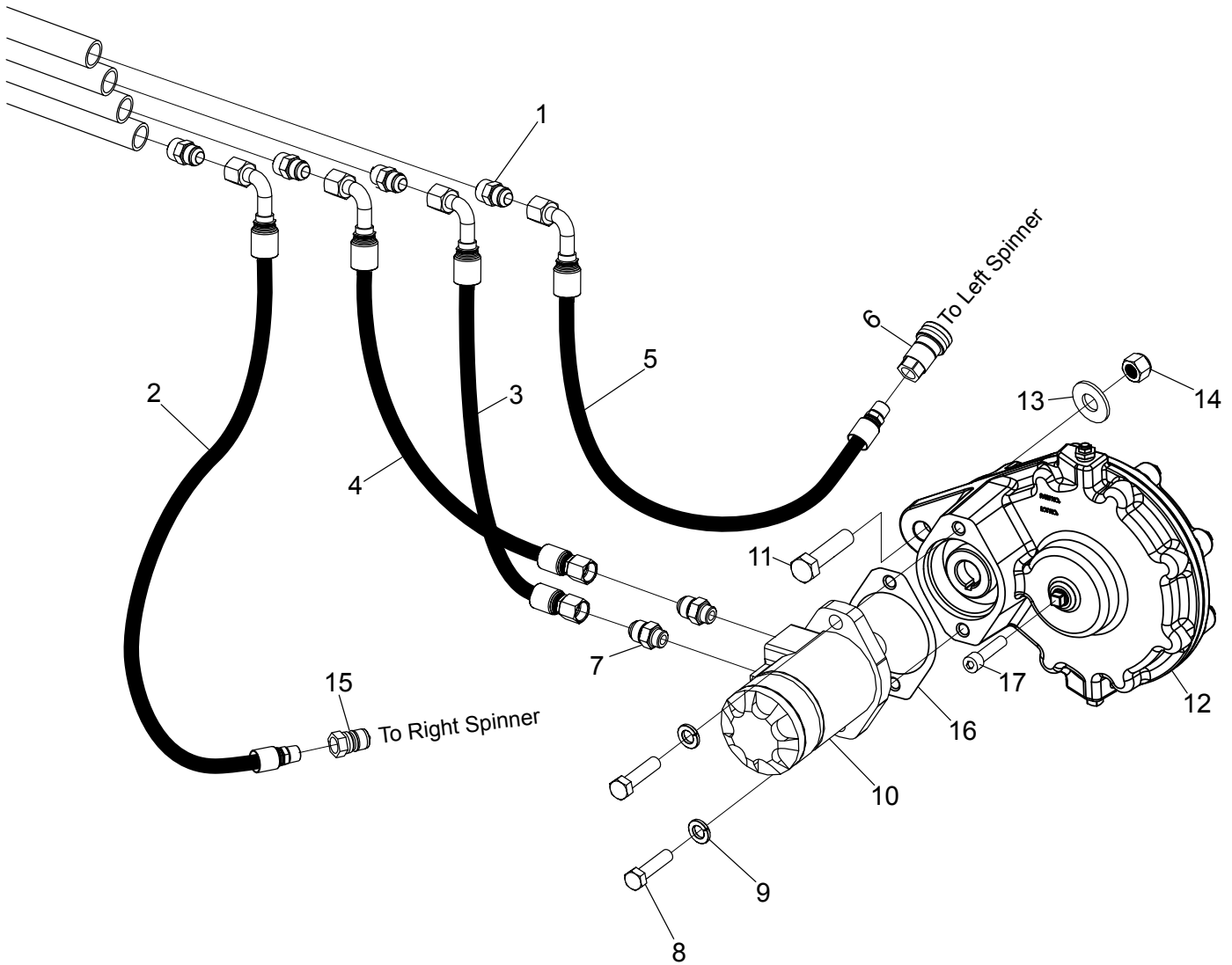
Ref#	Description	Part#
11	6" Tank Door	290044
12	Straight Fitting (12MJ x 12FP)	290019
13	23" Hose Assembly	830333
14	Straight Fitting (12MJ x 10MB)	290001
15	Manifold	890940
16	90° Fitting (12MJ x 10MB)	290004
17	27" Hose Assembly	830336
18	Oil Filter	890962
19	51" Hose Assembly	891212

Previous Page

Next Page

Back to Index

# Rear Hydraulics



Ref#	Description	Part#
1	Straight Fitting (12MJ x 12FP)	290019
2	14" Hose Assembly (12FJX90S - 12MP)	890355
3	24" Hose Assembly	830686
4	23" Hose Assembly	830333
5	17" Hose Assembly	891209
6	Female Quick Coupler	290041
7	Straight Fitting, 12MJ x 10MB	290001
8	1/2" X 1-1/2" Hex Head Bolt	000435
9	1/2" Split Lock Washer	000840

Ref#	Description	Part#
10	Apron Drive Motor	891079
11	5/8" x 2-1/2" Hex Head Bolt	000620
12a	6:1 Single Motor Drive S/N -95417	891220
12b	6:1 Single Motor Drive S/N 95417+	891217
13	5/8" SAE Flat Washer Zinc	001076
14	5/8" Nylon Lock Nut	000990
15	Male Quick Coupler	290040
16	Motor/Gearbox Gasket	830251
17	Gearbox Retainer Bolt	801434

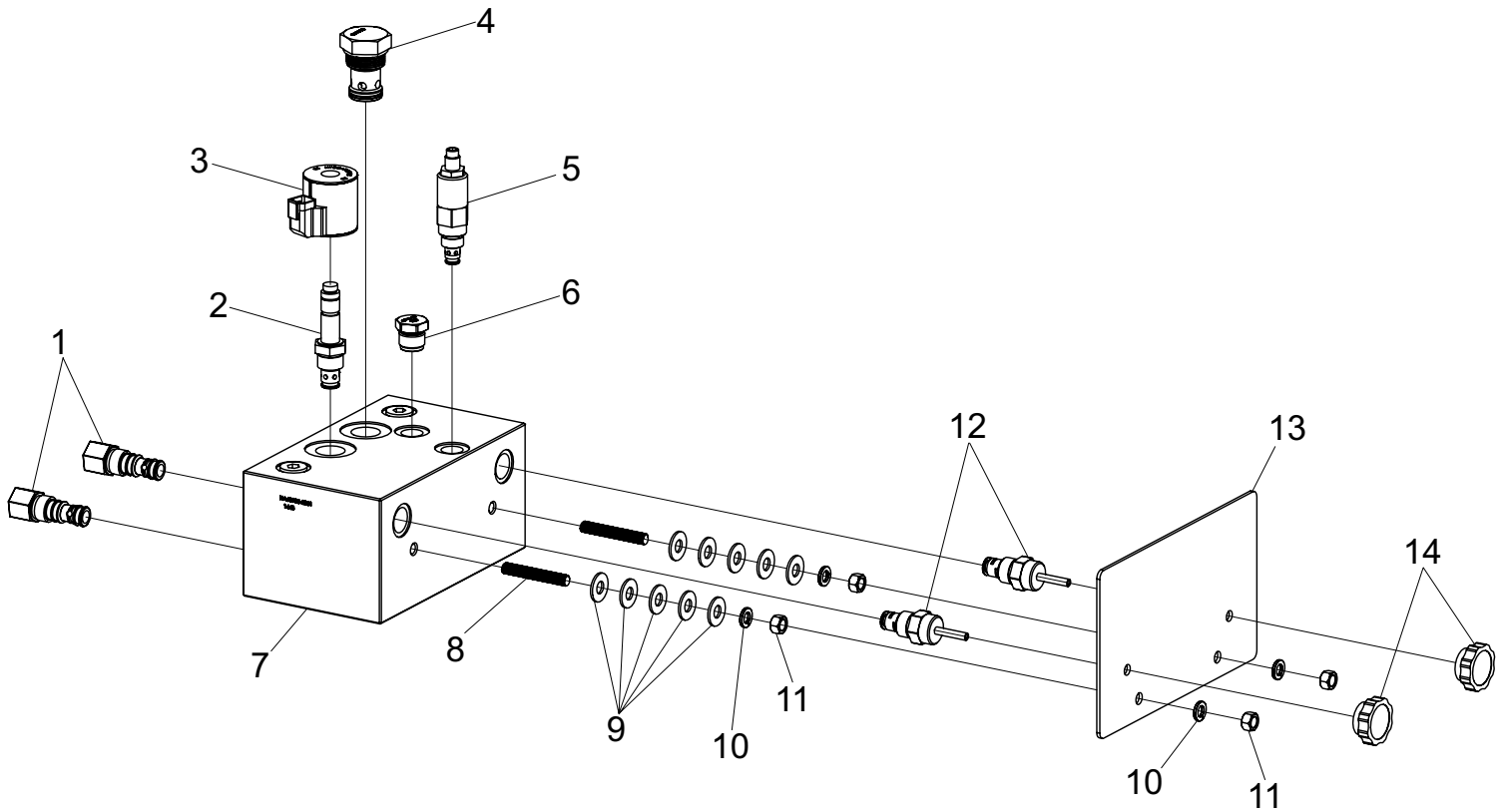
Note: Ref #12 (6:1 Reduction Gearbox) was changed at serial number 95941. Old style gearboxes are no longer available. When ordering gearbox for a spreader with serial number under 95941, use number 891220. This includes the new gearbox (891217) and apron shaft (891216) used with new gearbox.

[Previous Page](#)

[Next Page](#)

[Back to Index](#)

# Manifold Components



Ref#	Description	Part#
1	EP10-S35 40 Directional Valve	806140
2	SV16-21 2 Way N/O Poppet Valve	830320
3	Solenoid Valve Coil (4303712)	830325
4	CV16-20-0-N-15 Check Valve	830801
5	Relief Valve	830535
6	CV10-20-0-N-02 Check Valve	830802
7	Hydraulic Manifold with all valves included	890940

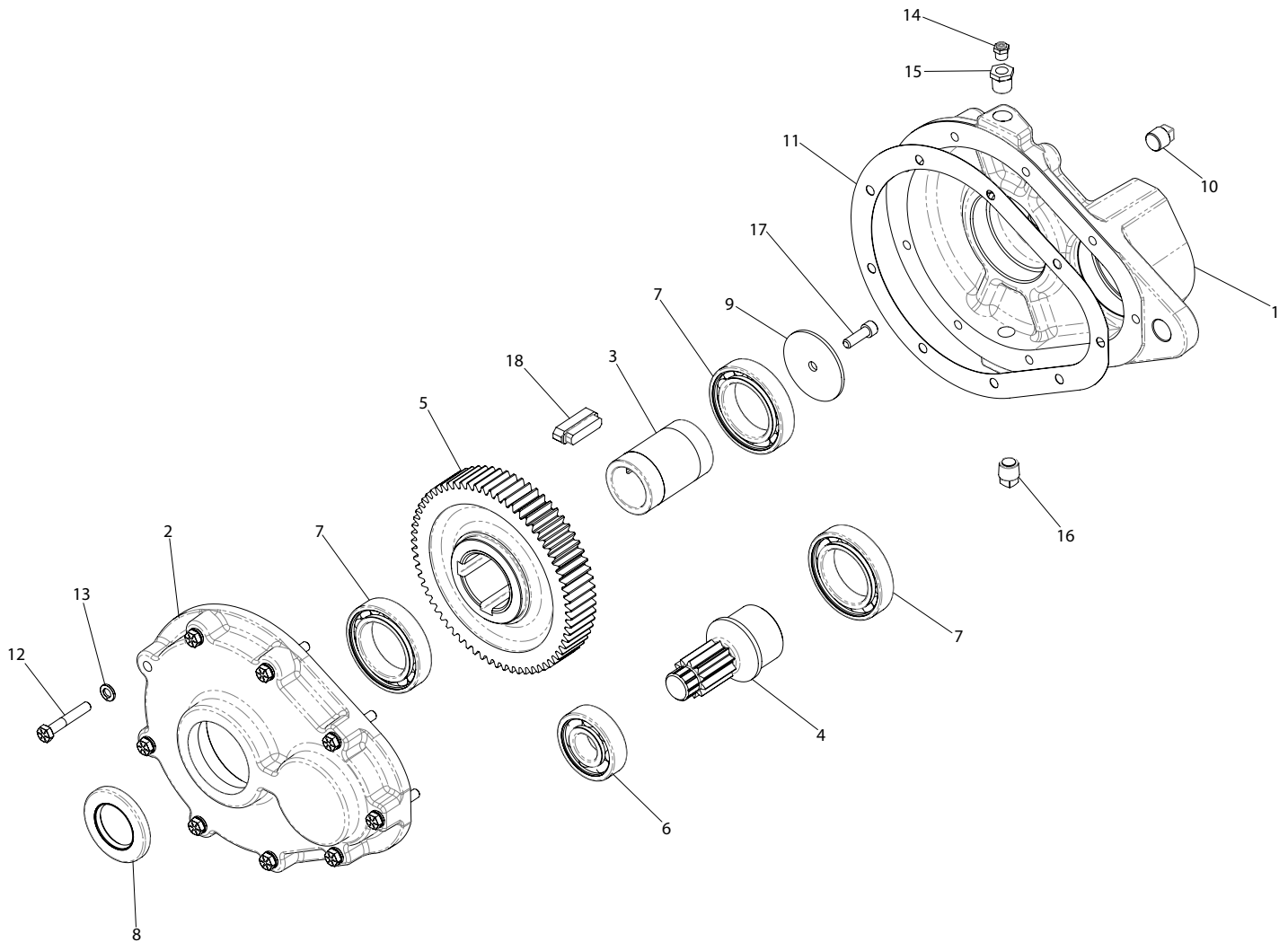
Ref#	Description	Part#
8	3/8" x 2-1/2" Threaded Rod	890951
9	3/8" Flat Washer	001035
10	3/8" Lock Washer	000820
11	3/8" Hex Nut	000915
12	MR10-20A Flow Control Valve	806136
13	Manifold Face Plate	890451
14	Control Knob	806143

Previous Page

Next Page

Back to Index

# Gearbox Components S/N 95417+



Ref#	Description	Part#
1	Outer Gearbox Housing	801419
2	Inner Gearbox Housing	801420
3	Output Shaft Housing	801421
4	Input Gear, 11 Tooth	801422
5	Output Gear, 67 Tooth	801423
6	6305 C3 Ball Bearing	801424
7	6010 C3 Ball Bearing	801425
8	Oil Seal, 1.50-2.623-.313	801426
9	Washer, 2.50 x .34 x .120	801427

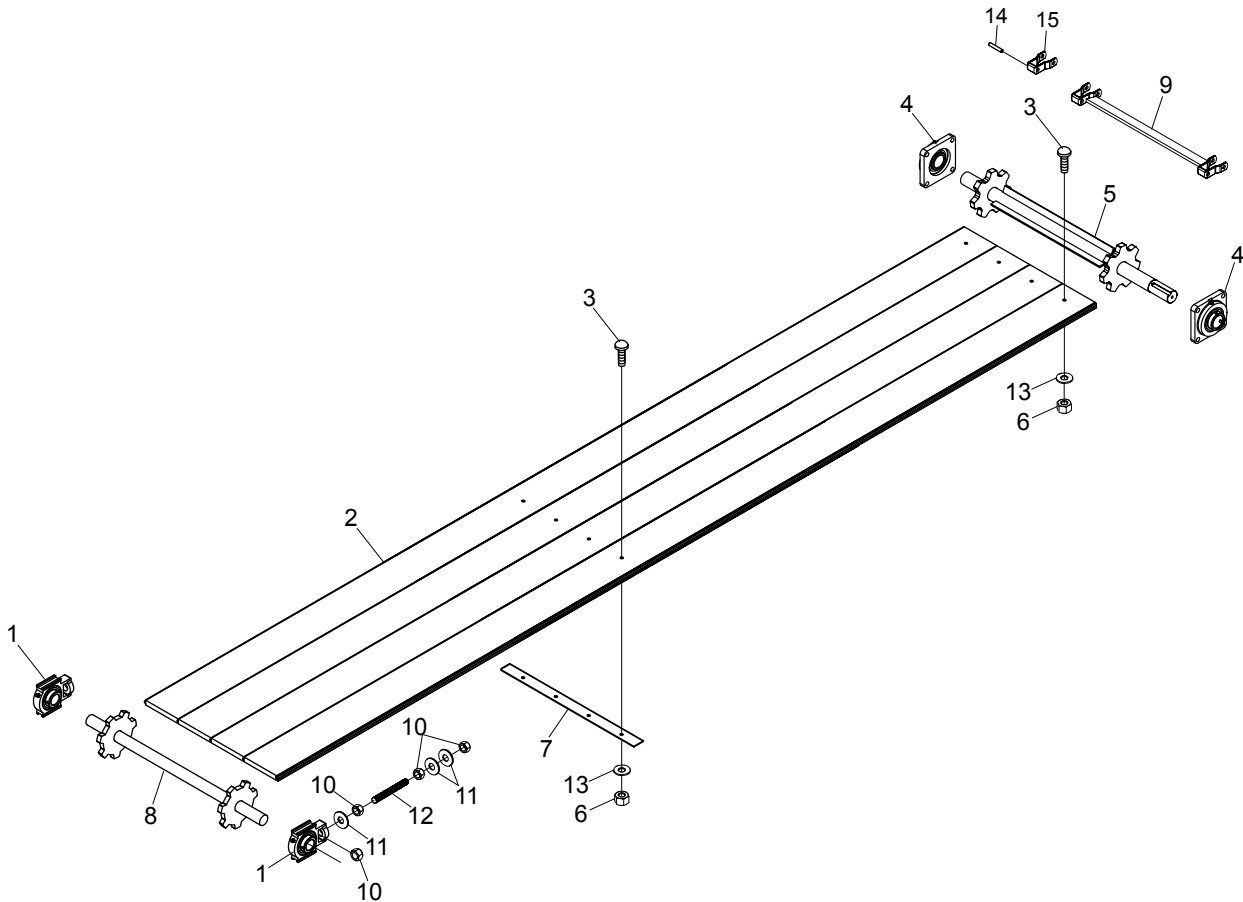
Ref#	Description	Part#
10	Square Head Plug, 3/8"-18 NPT w/ 3M	801428
11	Gasket	801429
12	5/16" x 2" Hex Head Bolt, Gr. 8	000122
13	5/16" Lock Washer	000810
14	Breather Plug, 1/8"-27	801430
15	Bushing, 3/8" x 1/8"	801431
16	Square Head Plug, 3/8"-18 NPT	801432
17	5/16" x 1" Bolt, Gr. 8	801434
18	Step Key, .50/.375x.664x1.760	801433

[Previous Page](#)

[Next Page](#)

[Back to Index](#)

# Floor & Apron



Ref#	Description	Part#	Qty
1	1-1/2" Take-Up Bearing	801099	2
2	Poly Floor Board, 3/4" x 6" x 101-1/2"	891014	4
3	Carriage Bolt, 3/8 x 1-1/2	000280	8
4	1-1/2" 4-Bolt Flange Bearing	400810	2
5a	Apron Shaft, Rear (S/N -95417)	891065	1
5b	Apron Shaft, Rear (S/N 95417+)	891216	1
6	3/8" Hex Nut	000915	8
7	Floor Hold Down Strip	891049	2
8	Apron Shaft, Front	891067	1

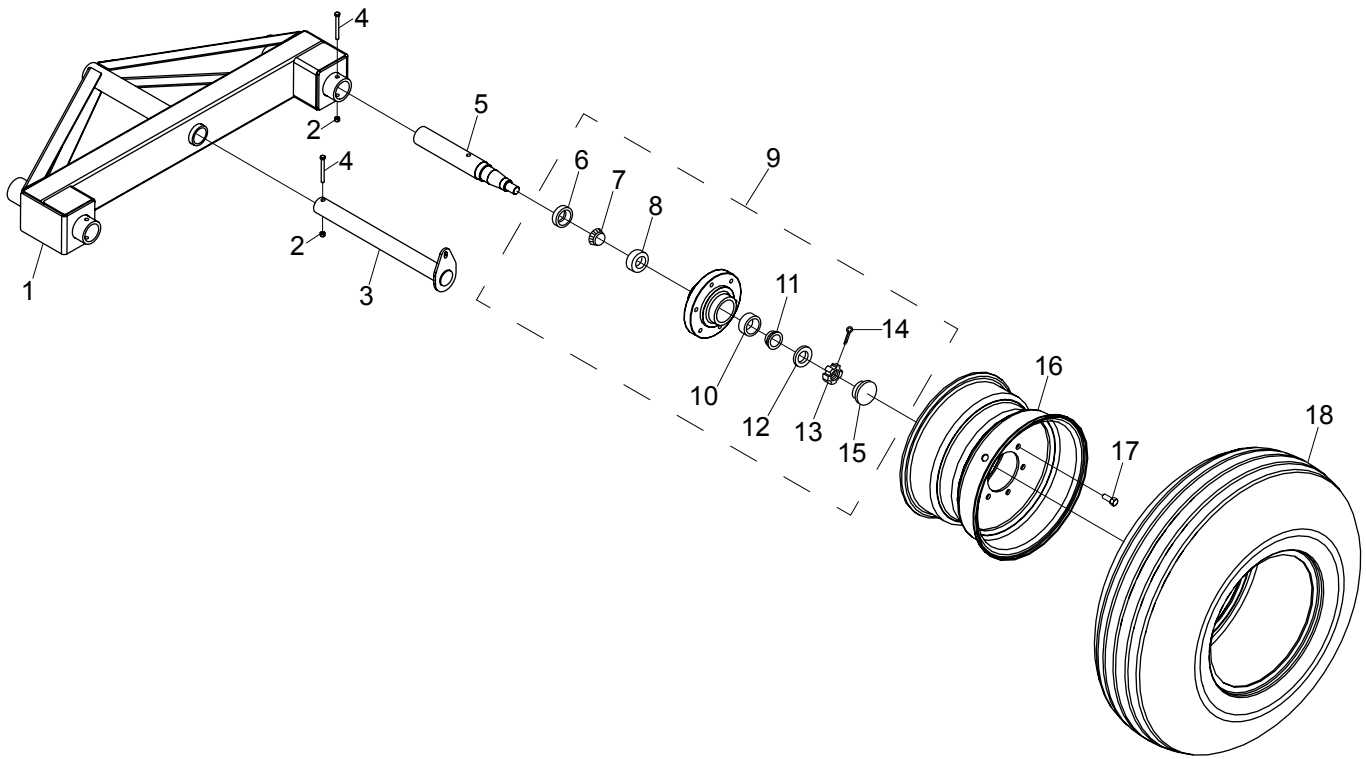
Ref#	Description	Part#	Qty
9a	Web Slat Assembly (1 Slat Assembly)	891080	54
9b	10' Section of Web Slat (Every other Link)	891070	2
9c	10' Section of Web Slat (Every Link)	891221	2
10	3/4-10 Hex Nut, Gr. 5	000975	6
11	3/4 USS Flat Washer	001085	6
12	Front Tensioner Rod	801175	2
13	3/8" Flat Washer	000820	8
14	Repair Pin	895078	4
15	Connector Link w/ Pin (667X)	895079	4

Previous Page

Next Page

Back to Index

# Axle Assembly



Ref#	Description	Part#
1	SL-6 Walking Beam Weld Assembly	891023
2	3/8" Nylon Lock Nut	003000
3	SL-6 Walking Beam Pin Weld Assembly, 1.75" x 18.5"	891035
4	3/8" x 3-1/2" Hex Head Bolt	000380
5	Drilled G783 Spindle (2" x 14")	891034
6	Grease Seal, 1-7/8" x 3" x 1/4"	300174
7	Inner Bearing, LM501349	300175
8	Inner Race, LM501310	300176
9	Complete 783 Hub	300173
10	Outer Race, LM67010	300178
11	Outer Bearing, LM67048	300179
12	7/8" Spindle Washer	300283
13	7/8" Castle Nut	300281
14	5/32" x 1-3/4" Cotter Pin	300282
15	888/783 Dust Cap	300036
16	Wheel, 15" x 10"-6 Bolt	300286
17	Lug Bolt, 1/2" x 1-3/4" Overall Length	300037
18	Tire, 12.5L x 15 - 12 Ply	300294

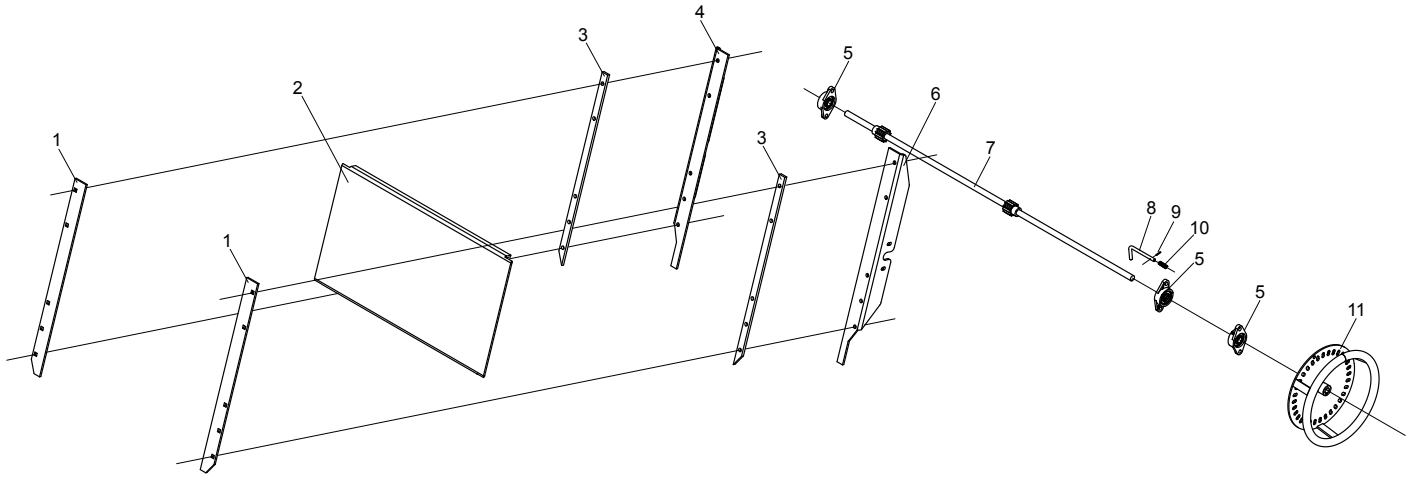
Previous Page

Next Page

Back to Index



# Rear Gate



Ref#	Description	Part#	Qty.
1	Inner Track	830072	2
2	Endgate Weldment	891043	1
3	Track Spacer	830075	2
4	Outer Track, Right	830088	1
5	Flange Bearing	806108	3
6	Outer Track, Left	830592	1
7	Endgate Shaft	891046	1
8	Latch Pin	806052	1
9	Roll Pin, 1/8 x 3/4	000561	1
10	Latch Spring	806166	1
11	Endgate Wheel	830543	1

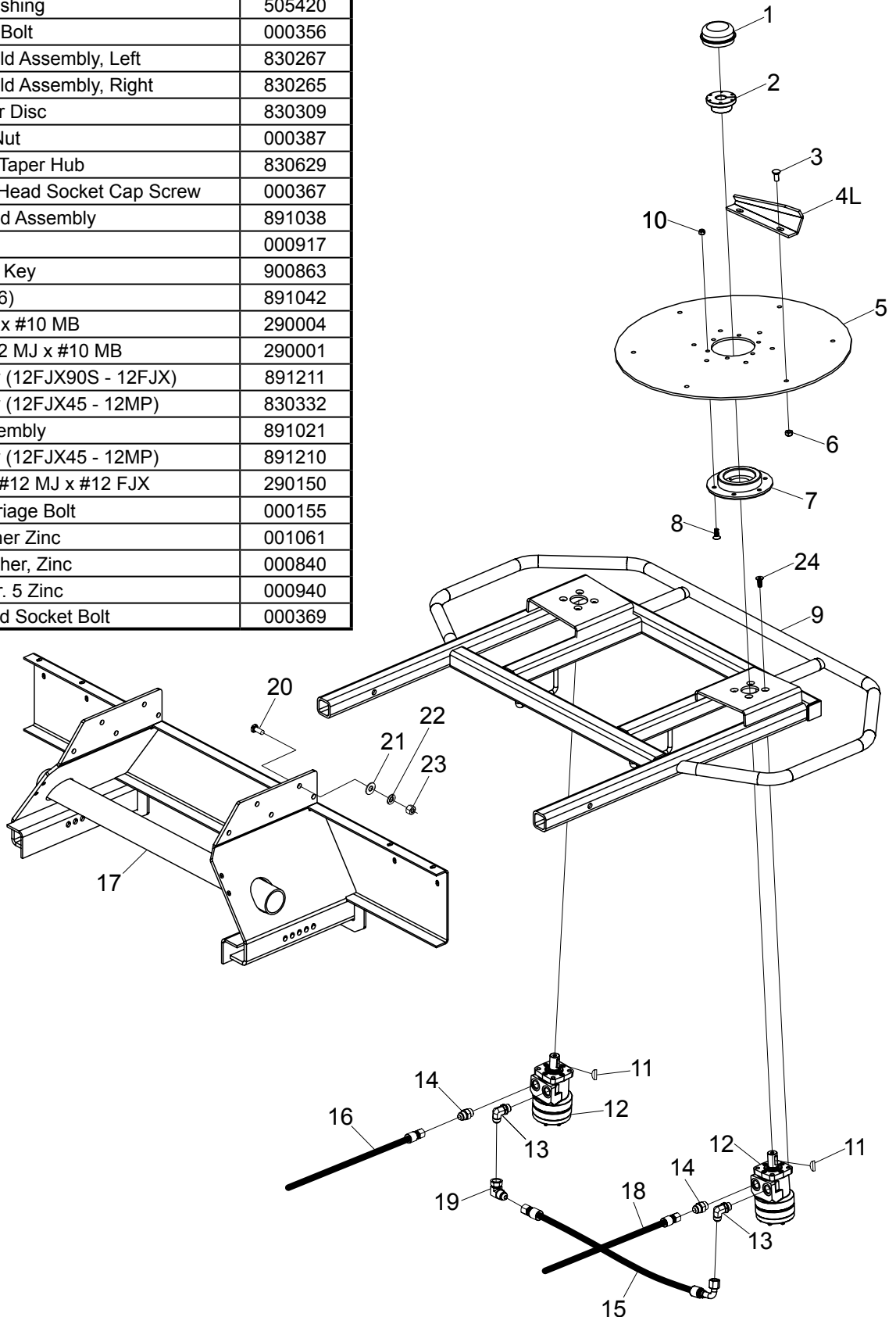
Previous Page

Next Page

Back to Index

# Spinner Assembly

Ref#	Description	Part#
1	3.36 Ag Hub Cap	830314
2	1" SDS Tapered Bushing	505420
3	7/16" x 1" Carriage Bolt	000356
4L	Spinner Paddle Weld Assembly, Left	830267
4R	Spinner Paddle Weld Assembly, Right	830265
5	25" Bolt-On Spinner Disc	830309
6	7/16" Stover Lock Nut	000387
7	Concave Spinner / Taper Hub	830629
8	3/8-16 x 1-1/4 Flat Head Socket Cap Screw	000367
9	Spinner Frame Weld Assembly	891038
10	3/8" Top Lock Nut	000917
11	1/4" x 1" Half Moon Key	900863
12	Spinner Motor (SL-6)	891042
13	90° Fitting, #12 MJ x #10 MB	290004
14	Straight Fitting, - #12 MJ x #10 MB	290001
15	37" Hose Assembly (12FJX90S - 12FJX)	891211
16	60" Hose Assembly (12FJX45 - 12MP)	830332
17	Receiver Weld Assembly	891021
18	38" Hose Assembly (12FJX45 - 12MP)	891210
19	90 Degree Elbow, - #12 MJ x #12 FJX	290150
20	1/2"-13 x 1-1/2 Carriage Bolt	000155
21	1/2" SAE Flat Washer Zinc	001061
22	1/2" Split Lock Washer, Zinc	000840
23	1/2"-13 Hex Nut, Gr. 5 Zinc	000940
24	3/8" x 7/8" Flat Head Socket Bolt	000369

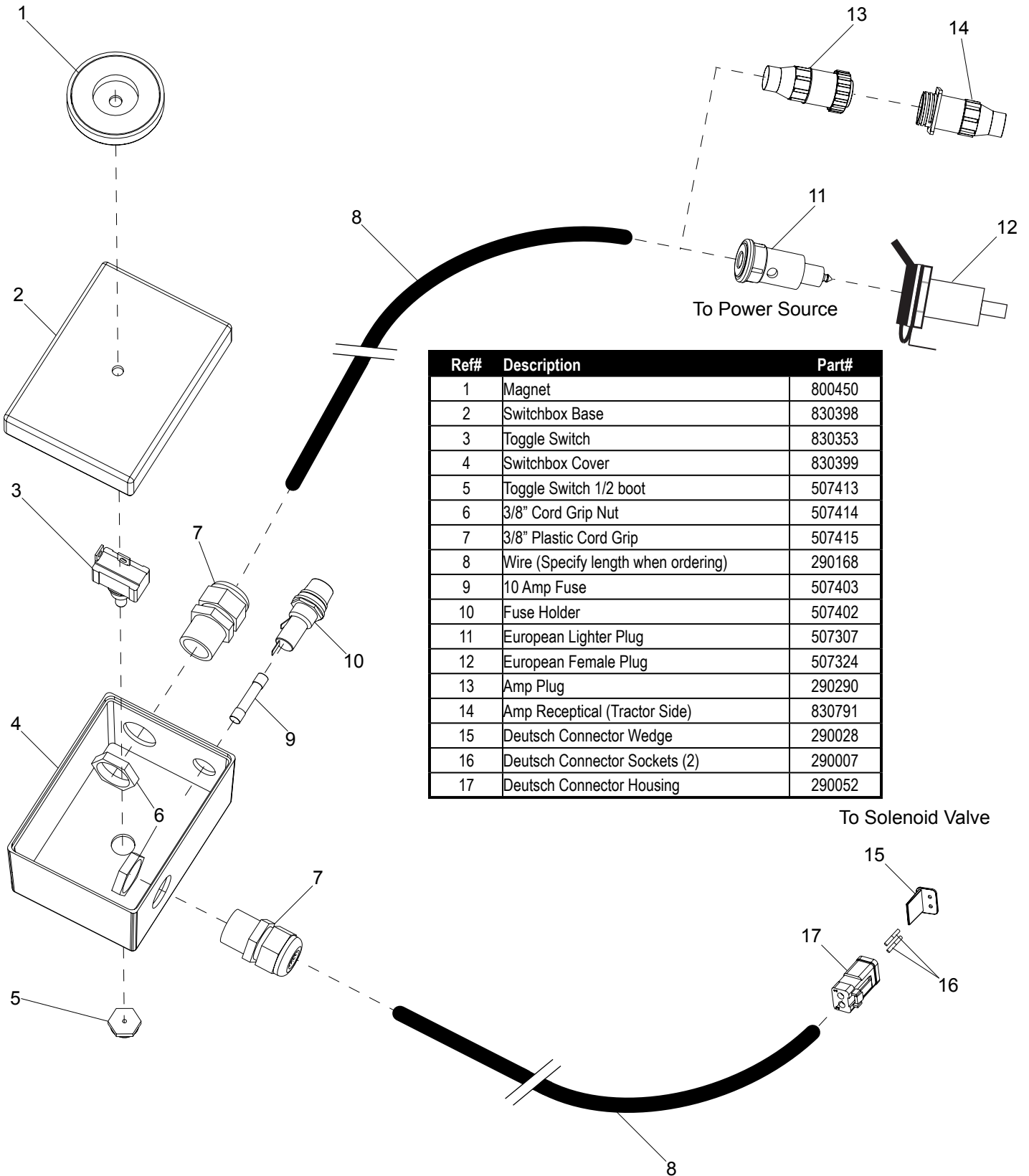


[Previous Page](#)

[Next Page](#)

[Back to Index](#)

# Switch Box



Ref#	Description	Part#
1	Magnet	800450
2	Switchbox Base	830398
3	Toggle Switch	830353
4	Switchbox Cover	830399
5	Toggle Switch 1/2 boot	507413
6	3/8" Cord Grip Nut	507414
7	3/8" Plastic Cord Grip	507415
8	Wire (Specify length when ordering)	290168
9	10 Amp Fuse	507403
10	Fuse Holder	507402
11	European Lighter Plug	507307
12	European Female Plug	507324
13	Amp Plug	290290
14	Amp Receptical (Tractor Side)	830791
15	Deutsch Connector Wedge	290028
16	Deutsch Connector Sockets (2)	290007
17	Deutsch Connector Housing	290052

[Previous Page](#)

[Next Page](#)

[Back to Index](#)