

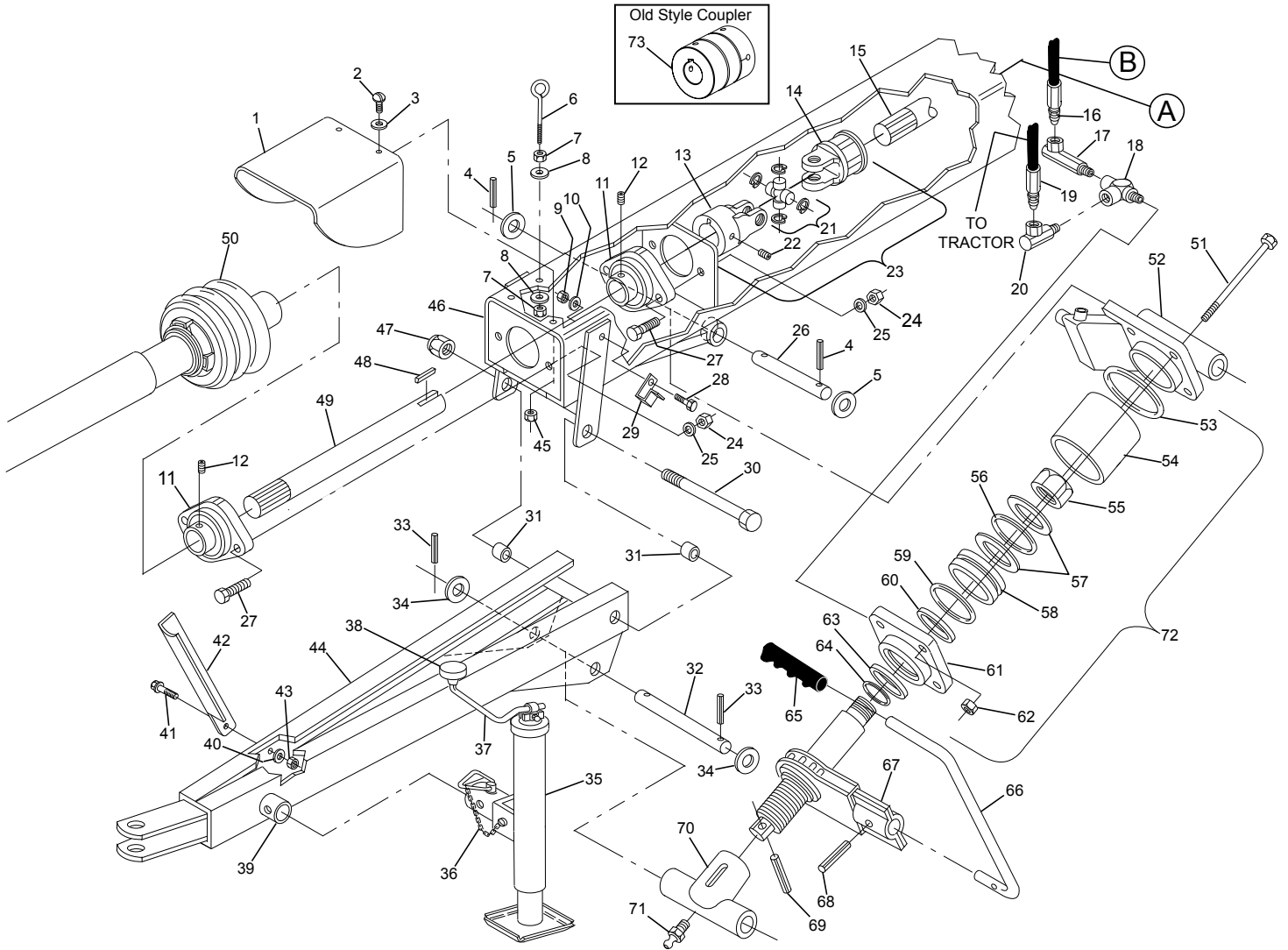


HR-10 Rotary Rake

Illustrated Parts Breakdown

- Page 1 Tongue & Main Frame Assembly
- Page 3 Lower Frame Assembly
- Page 5 Gearbox & Tine Arm
- Page 7 Guard Assembly, Old Style
- Page 9 Guard Assembly, New Style
- Page 11 PTO Shaft

Tongue & Main Frame Assembly

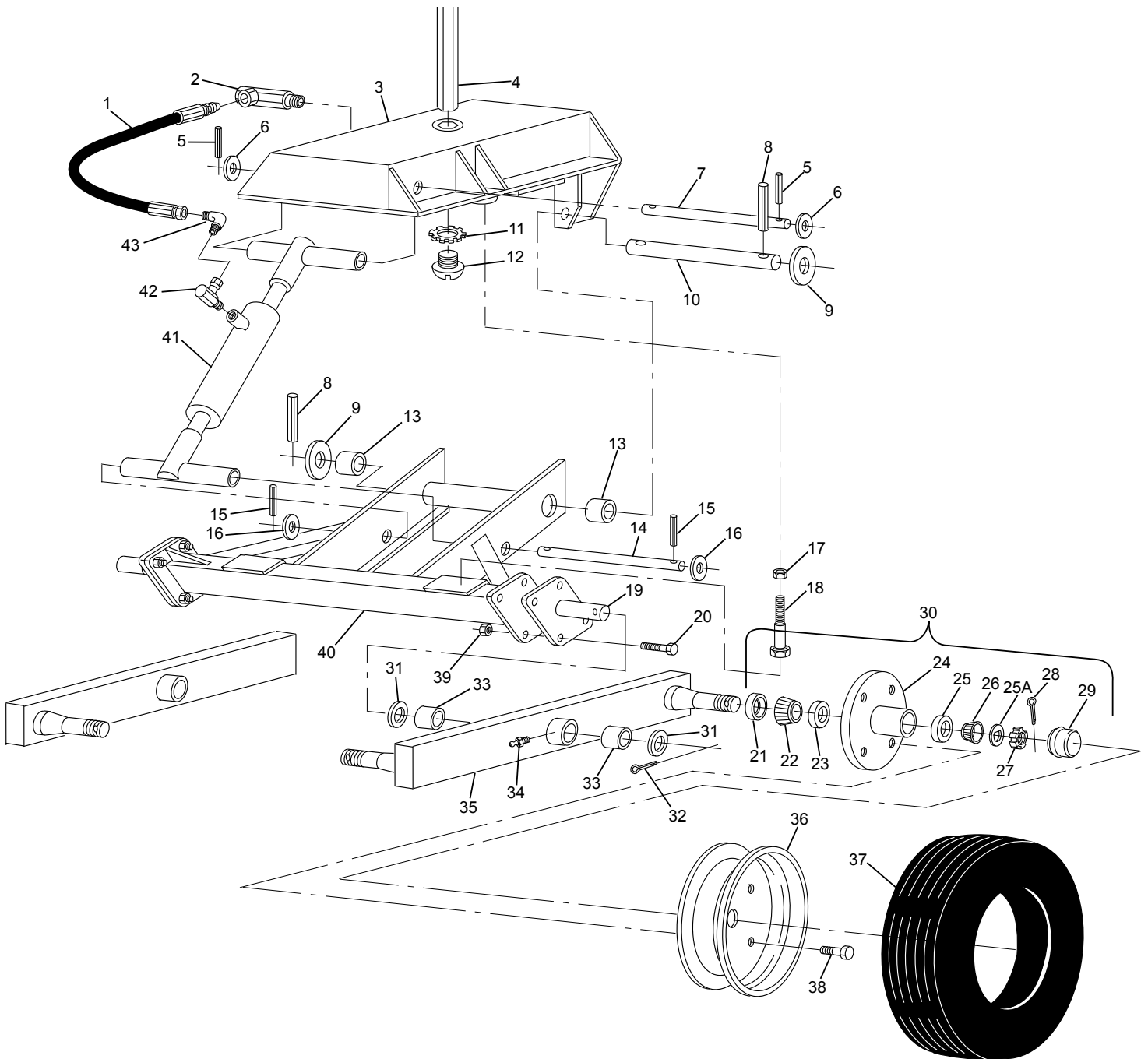


Tongue & Main Frame Assembly

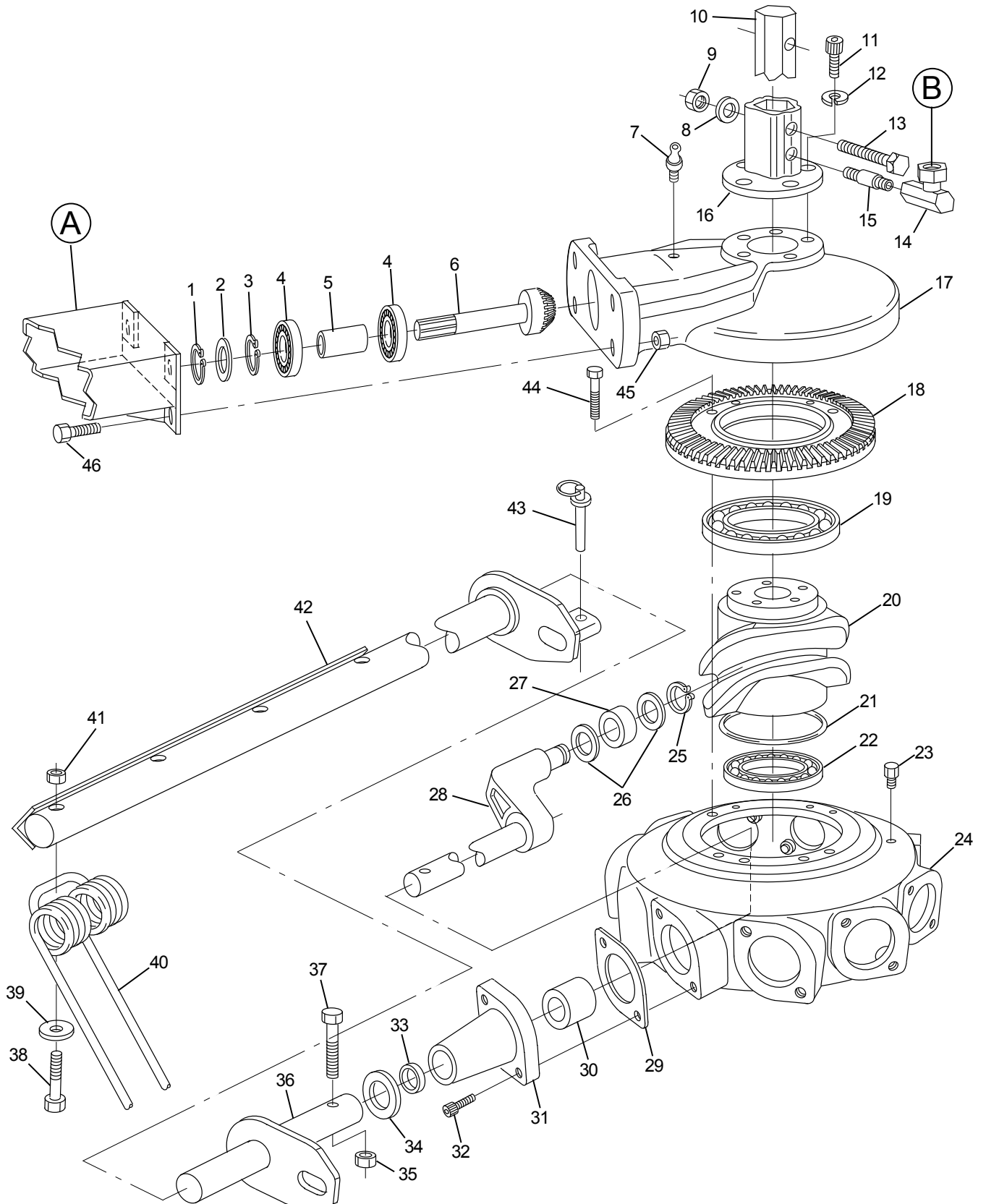
ITEM #	PART #	DESCRIPTION
1	500066	PTO Guard
2	000210	bolt (5/16" x 3/4")
3	000810	lock washer (5/16")
4	500017	roll pin (1/4" x 2")
5	500018	machine bushing
6	500095	eye bolt (3/8" x 4")
7	000920	nut (3/8")
8	001105	fender washer (3/8")
9	000910	nut (5/16")
10	001030	washer (5/16")
11	500067	flange bearing
12	001120	set screw
13	500270	yoke w/ keyway
14	500269	yoke, splined
15	500232	pinion gear
16	500117	hose (77")
17	500123	90° fitting w/ swivel (long)
18	500125	street "T"
19	500118	hose (85")
20	500122	90° fitting w/ swivel (short)
21	500272	cross & bearing kit
22	500275	set screw
23	500268	universal coupler assembly
24	000950	lock nut (1/2")
25	001055	washer (1/2")
26	500075	tunnel cylinder pin
27	000435	bolt (1/2" x 1 1/2")
28	000210	slotted truss head bolt (5/16" x 3/4")
29	500096	handle bracket
30	500019	tongue bolt
31	500278	bushing
32	500016	tongue cylinder pin
33	500017	roll pin (1/4" x 2")
34	500018	machine bushing
35	500009	complete jack
36	500012	pin w/ chain
37	500010	handle

ITEM #	PART #	DESCRIPTION
38	500011	knob & cap nut
39	500084	jack mount bracket
40	001035	washer 3/8
41	000270	bolt (3/8" x 1")
42	500015	PTO stand
43	000925	lock nut (3/8")
44	500000	tongue
45	000920	nut (3/8")
46	500068	tunnel assembly
47	001012	lock nut (1")
48	500271	key
49	500277	drive shaft
50	500022	PTO shaft
51	000512	bolt (1/2" x 5")
52	500103	cylinder base
53	500104	"O" ring
54	500105	cylinder tub
55	001011	nut (1")
56	500107	"O" ring
57	500106	backer
58	500108	piston
59	500109	"O" ring
60	500111	oil seal
61	500110	cylinder head
63	500112	rod wiper
62	000947	nut (1/2")
64	500099	"O" ring
65	500115	handle grip
66	500114	handle
67	500100	cylinder shaft w/ ratchet
68	500187	roll pin (1/4" x 1 3/4")
69	500102	roll pin (1/4" x 1 1/4")
70	500098	"T" coupling
71	500113	grease fitting
72	500097	ratchet cylinder
	500298	ratchet cylinder seal kit
	502297	hydraulic manifold block
73	500403	Old Style Coupler

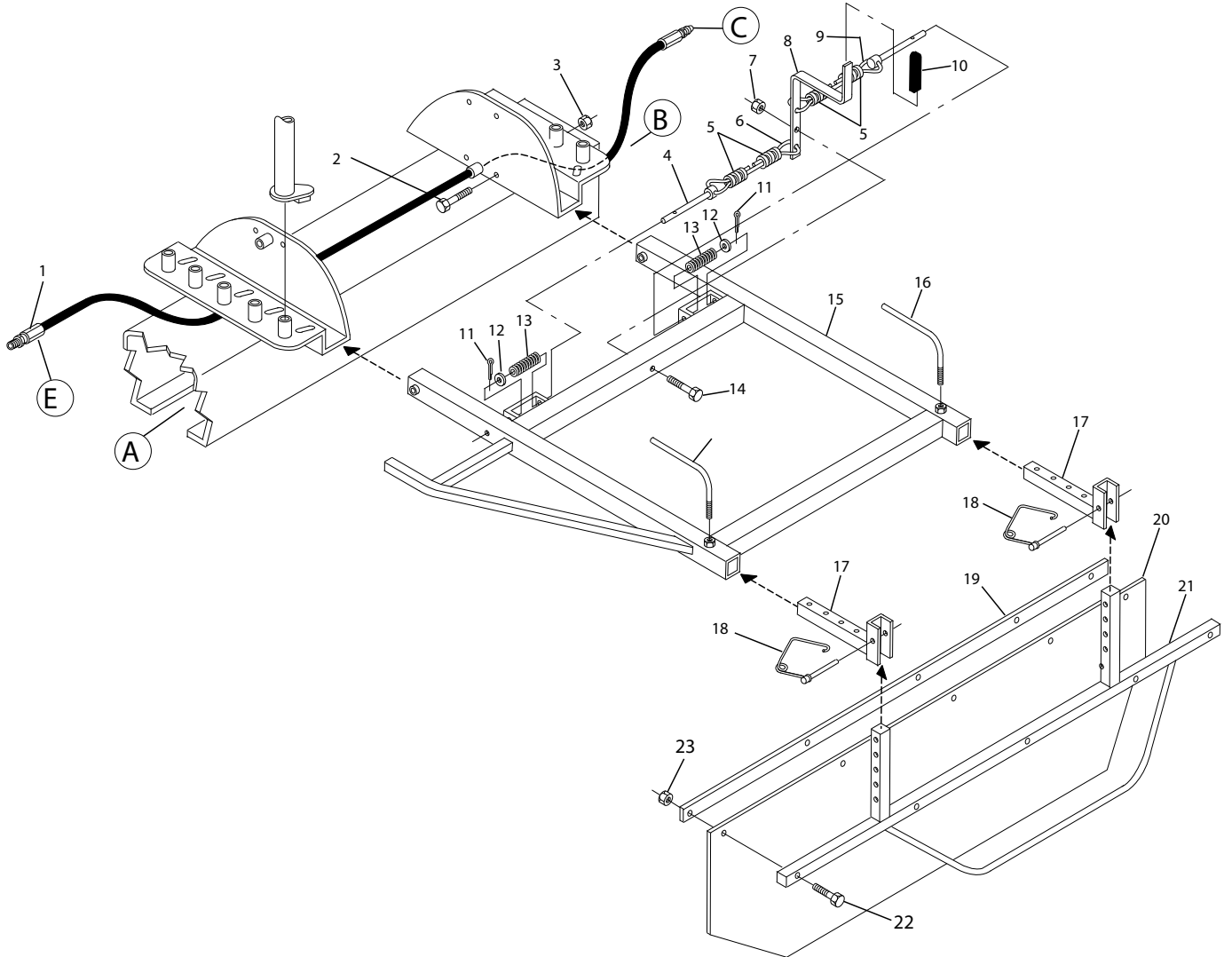
Lower Frame Assembly



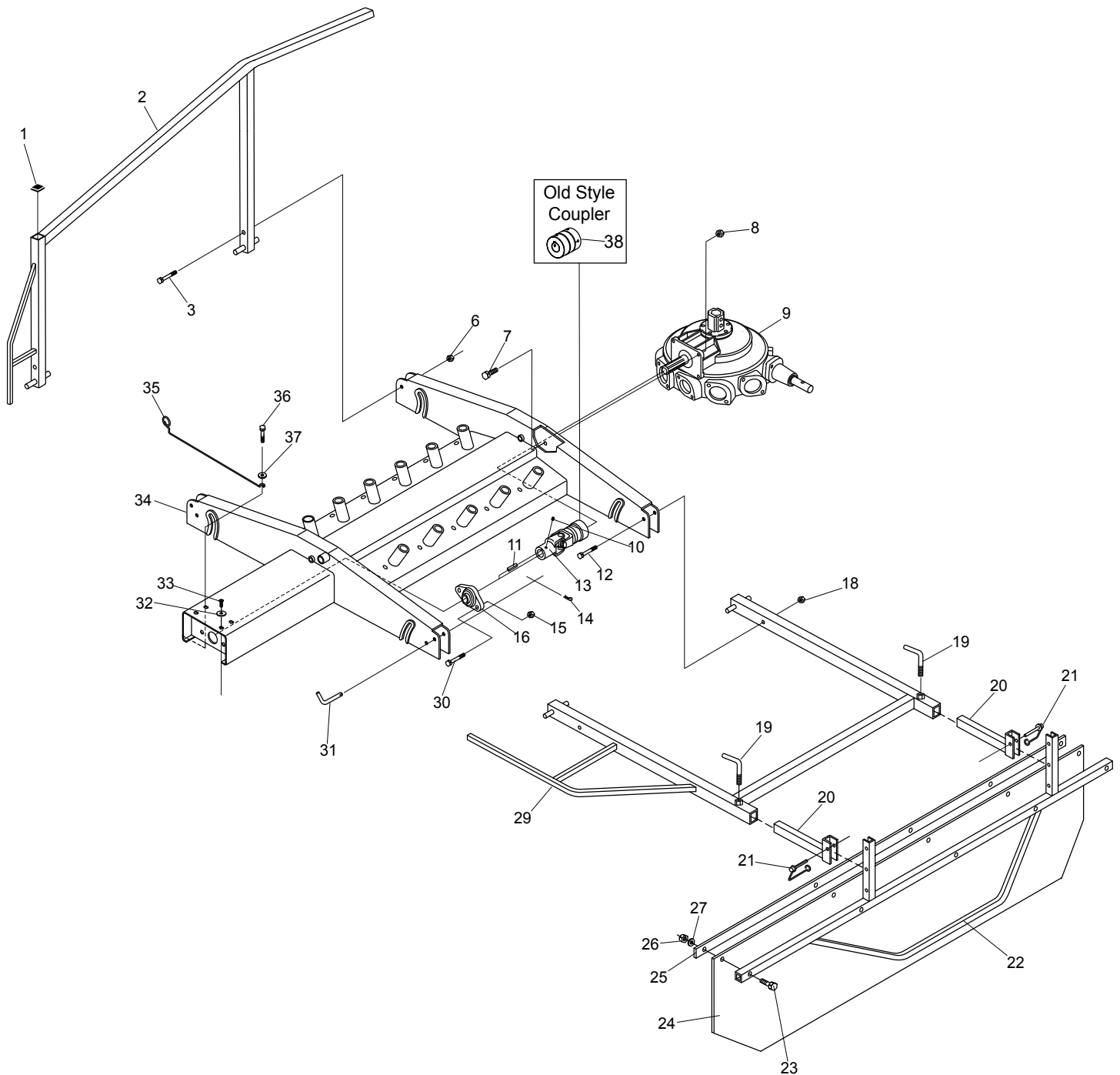
Gearbox & Tine Arm



Guard Assembly, Old Style



Guard Assembly, New Style



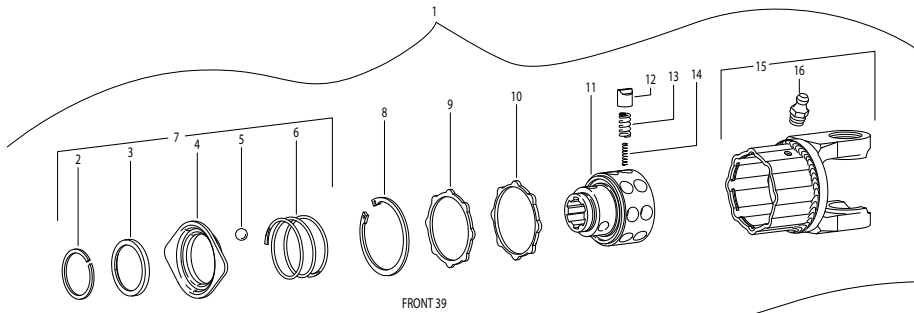
Guard Assembly, New Style

ITEM	DESCRIPTION	PART#
1	Square Plug	500131
2	Right Guard Assembly	503070
3	Bolt, 1/2 x 3-1/2	000480
6	Locknut, 1/2	000950
7	Bolt, M16 x 55	002699
8	M16 Nylon Locknut	002828
9	Complete Gearbox	500226
10	Set Screw, 3/8 x 3/8	001130
11	Key, 5/16 x 1-3/4	500217
12	Bolt, 1/2 x 3-1/2	000480
13	12 Series U-Joint	500268
14	Safety Clip	200011
15	Locknut, 1/2	000950
16	1-3/8 2-Bolt Flange Bearing	500067
18	Locknut, 1/2	000950
19	Curtain Set Bolt	500148
20	Telescoping Tube	500149

ITEM	DESCRIPTION	PART#
21	3/8 Snapper Pin	500158
22	Curtain Mount Assembly	500152
23	Bolt, 1/4 x 1-3/4	000187
24	Hay Curtain	500156
25	Curtain Bar	500155
26	Locknut, 1/4	003001
27	Flat Washer, 1/4	001020
29	Left Guard Assembly	503075
30	Bolt, 1/2 x 1-1/2	000435
31	1/2 x 3 Bent Pull Pin	100330
32	5/16 Fender Washer	001100
33	Bolt, 5/16 x 3/4	000210
34	Tunnel Assembly	500068
35	Hose Support	502288
36	Bolt, 5/16 x 1-1/4	000230
37	Hose Support Washer	502308
38	Old Style Coupler	500403

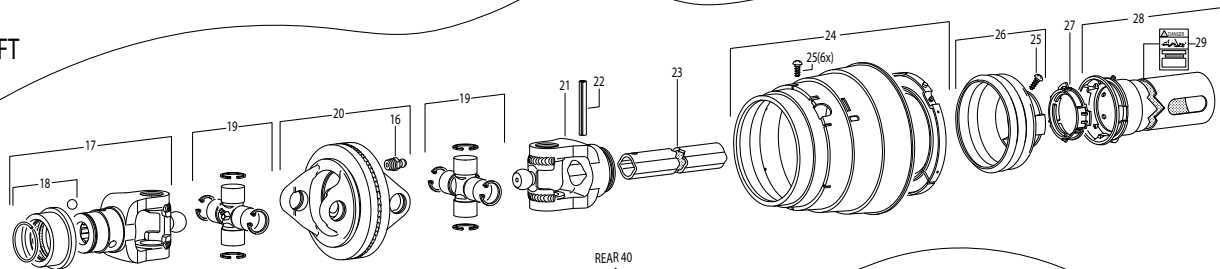
PTO Shaft

CLUTCH

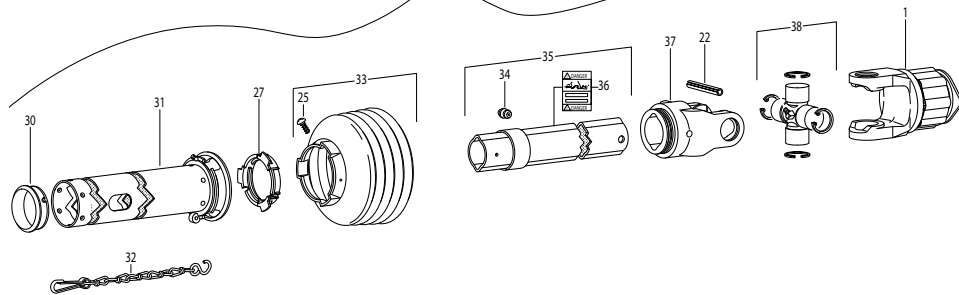


FRONT 39

SHAFT



REAR 40



41

