

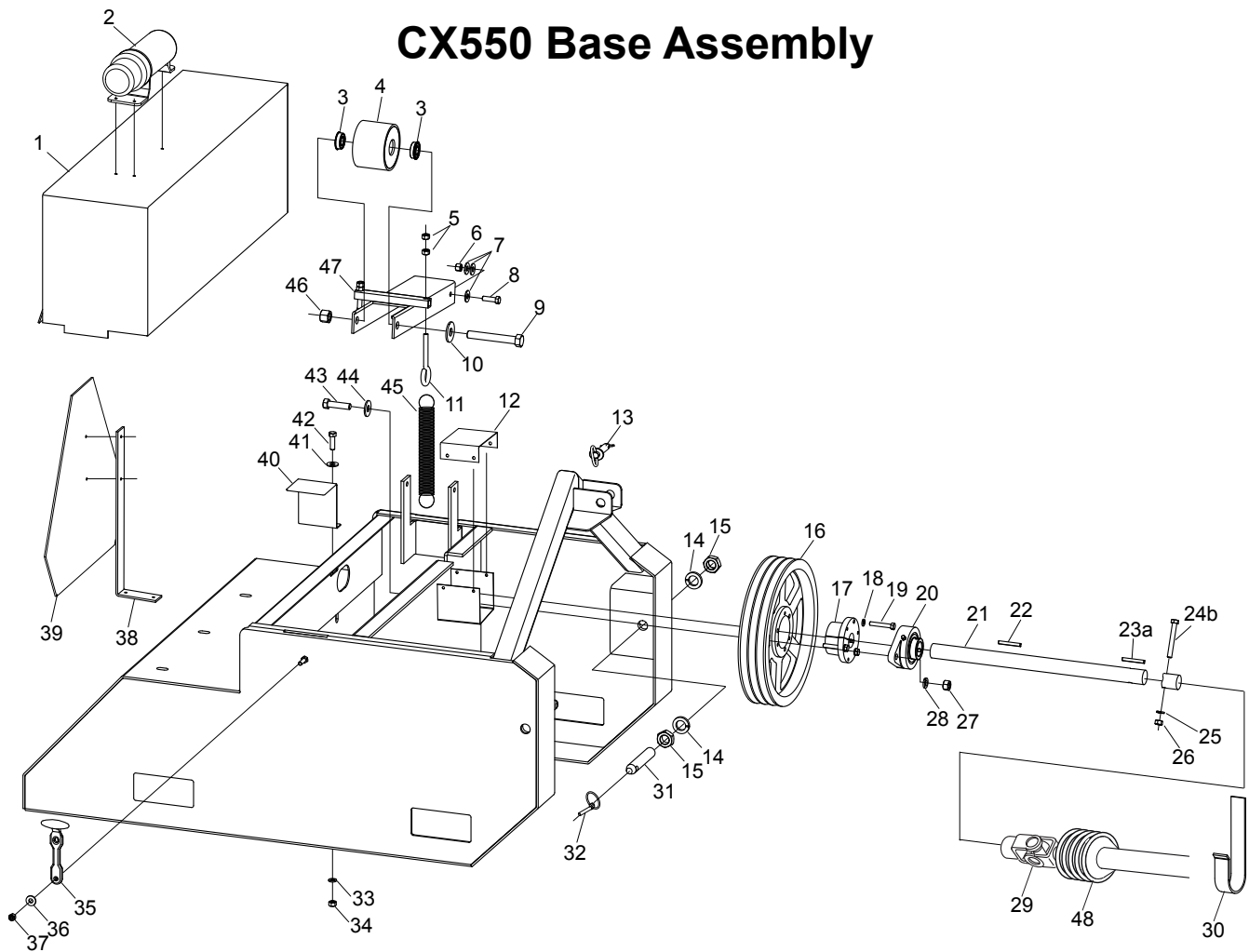


# CX550 Wood Chipper

## Illustrated Parts Breakdown

<b>Page 1</b>	<b>Base Assembly</b>
<b>Page 2</b>	<b>Main Assembly S/N -94741</b>
<b>Page 4</b>	<b>Main Assembly S/N 94741+</b>
<b>Page 6</b>	<b>PTO Shaft Assembly S/N 92363+</b>

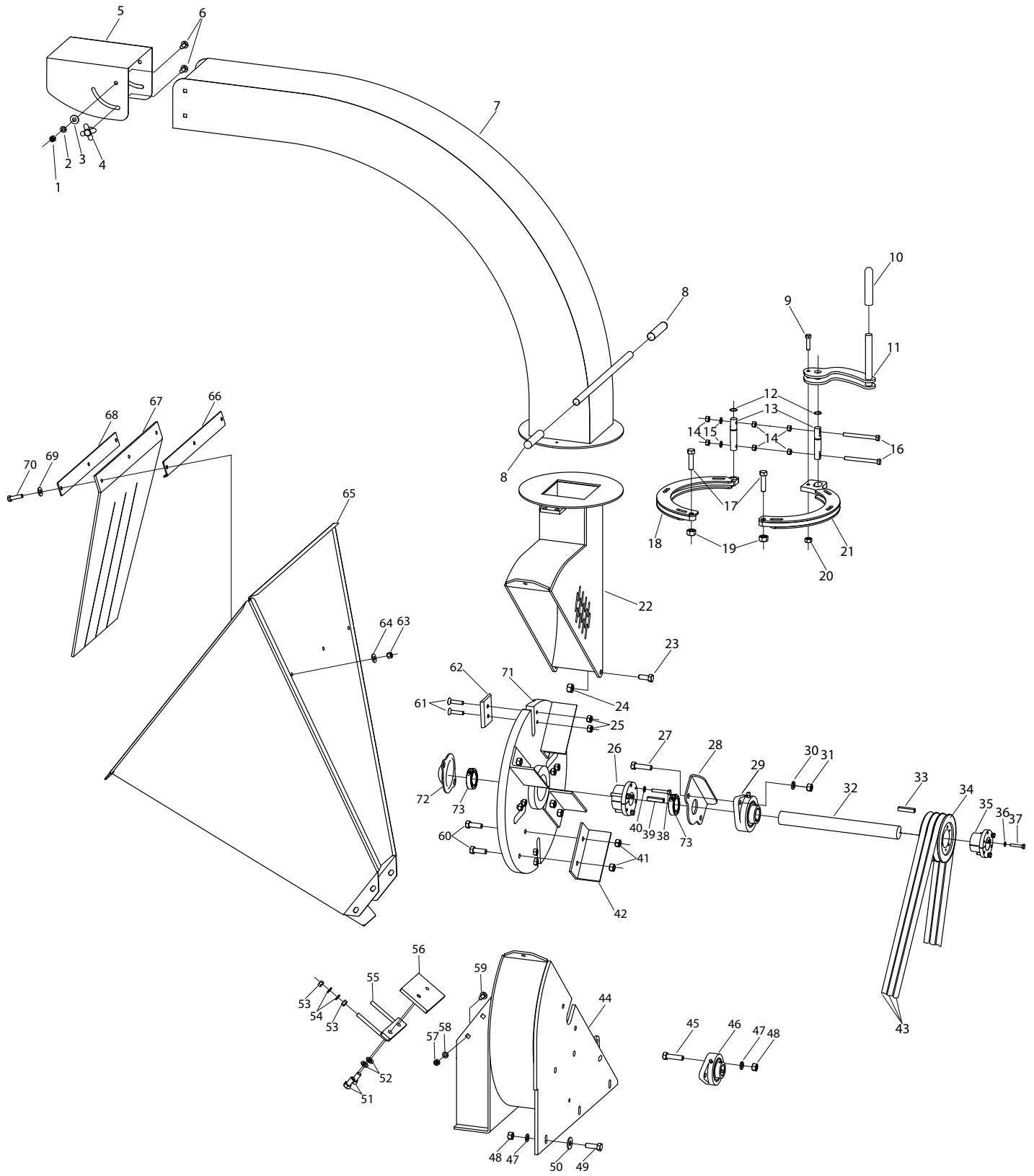
# CX550 Base Assembly



Ref#	Description	Part#
1	Belt Shield	902025
2	Owner's Manual Canister	503050
2a	Operator's Manual	990021
3	Insert Bearing	900150
4	Idler Roller	902023
5	Nut, 3/8	000915
6	Locknut, 3/8	003000
7	Flatwasher, 3/8	001035
8	Bolt, 3/8 x 1-1/4	000275
9	Bolt, 5/8 x 4-1/2	000645
10	Flatwasher, 5/8	001075
11	Eye Bolt, 3/8 x 3-1/4	902001
12	PTO Guard	900857
13	Hitch Pin	903143
14	Lock Washer, 7/8	N/A
15	Jam Nut, 7/8	N/A
16	Pulley, 12" 3-Groove	900113
17	Pulley Bushing w/ Bolts	900115
18	Lock Washer, 5/16	000810
19	Bolt, 5/16 x 2	000122
20	Flange Bearing, 1-1/4	900112
21	Jack Shaft	902347
22	Key, 3/8 x 3/8 x 2	400857
23a	Key, 1/4 x 1/4 x 2	400587
23b	Shear Bolt, 3/8 x 3 Gr. 8	000306

Ref#	Description	Part#
25	Lock Washer, 3/8	000820
26	Nut, 3/8	000915
27	Nut, 1/2	000940
28	Lock Washer, 1/2	000840
29*	Comp. PTO w/ Keyed Yoke	900139
*	Comp. PTO w/ Shearbolt Yoke	900159
30	PTO Shaft Cradle	900862
31	Lift Arm Pin w/ Nut & Washer	900110
32	Lynch Pin	500219
33	Lock Washer, 3/8	000820
34	Nut, 3/8	000915
35	Rubber T-Handle	400092
36	Flatwasher, 5/16	001030
37	Nut, 5/16	000910
38	SMV Mounting Bracket	900861
39	SMV Triangle	507166
40	Jack Shaft Shield	900019
41	Flatwasher, 3/8	001035
42	Bolt, 3/8 x 1	000270
43	Bolt, 1/2 x 2	000452
44	Flatwasher, 1/2	001055
45	Tension Spring	900162
46	Locknut, 5/8	000972
48	PTO Shield Kit, Bondioli Shaft Only	701080

# CX550 Main Assembly S/N -94741

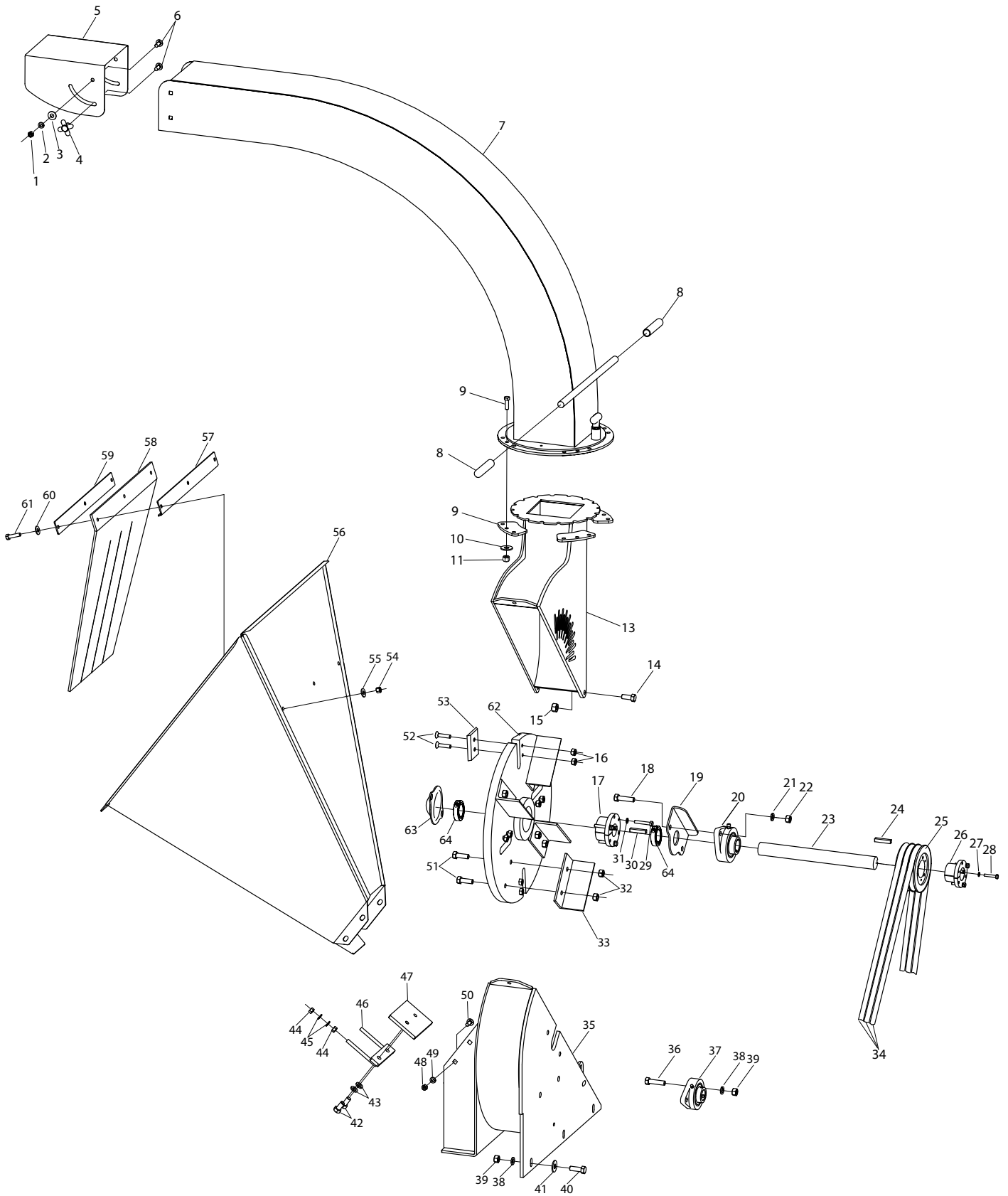


## CX550 Main Assembly S/N -94741

Ref#	Description	Part#
1	Nut, 3/8	000915
2	Lock Washer, 3/8	000820
3	Flatwasher, 3/8	001035
4	Clamp Knob	900125
5	Deflector	900030
6	Carriage Bolt, 3/8 x 1	000125
7	Chip Chute	900047
8	Handle Grip	900116
9	Bolt, 3/8 x 1-1/2	000280
10	Handle Grip	900116
11	Clamp Handle	902018
12	Retaining Ring	902022
13	Clamp Pins	902021
14	Nut, 3/8	000915
15	Lock Washer, 3/8	000820
16	Bolt, 3/8 x 4 All Thread	902033
17	Bolt, 1/2 x 2	000452
18	Chute Retainer	902020
19	Steel Locknut, 1/2	900144
20	Steel Locknut, 3/8	900134
21	Chute Clamp	902019
22	Upper Rotor Housing	900048
23	Bolt, 1/2 x 1-1/2	000435
24	Steel Locknut, 1/2	900144
25	Steel Locknut, 3/8	900134
26	Rotor Bushing w/ Bolts	900104
27	Bolt, 1/2 x 2	000452
28	Bearing Bracket	900015
29	Flange Bearing, 1-1/2	900127
30	Lock Washer, 1/2	000840
31	Nut, 1/2	000940
32	Rotor Shaft	900039
33	Key, 3/8 x 3/8 x 2	400857
34	Pulley, 5" 3-Groove	700172
35	Pulley Bushing w/ Bolts	900108
36	Lock Washer 1/4	000805

Ref#	Description	Part#
37	Bolt, 1/4 x 1-7/8	000188
38	Bolt, 5/16 x 2	000122
39	Key, 3/8 x 3/8 x 2	400857
40	Lock Washer, 5/16	000810
41	Steel Locknut, 1/2	900144
42	Rotor Paddle	900031
43	Belt, B-58	900109
44	Lower Rotor Housing	902342
45	Bolt, 1/2 x 2	000452
46	Flange Bearing, 1-1/4	900112
47	Lock Washer, 1/2	000840
48	Nut, 1/2	000940
49	Bolt, 1/2 x 1-1/2	000435
50	Flatwasher, 1/2	001055
51	Bolt, 1/2 x 1-1/4	000420
52	Lock Washer, 1/2	000840
53	Nut, 3/8	000915
54	Lock Washer, 3/8	000820
55	Anvil Adjuster	900023
56	Anvil	900014
57	Nut, 3/8	000915
58	Lock Washer, 3/8	000820
59	Carriage Bolt, 3/8 x 1	000125
60	Bolt, 1/2 x 1-1/2	000435
61	Recessed Head Bolt, 3/8 x 1-3/4	900129
62	Chipper Knife	900106
63	Nut, 3/8	000915
64	Flatwasher, 3/8	001035
65	Hopper	900033
66	Debris Curtain Bracket	900012
67	Debris Curtain	900126
68	Debris Curtain Clamp	900013
69	Flatwasher, 3/8	001035
70	Bolt, 3/8 x 1-1/4	000275
71	Chipper Rotor	900032
72	Rotor Shaft Cover	900859
73	Locking Collar	900157

# CX550 Main Assembly S/N 94741+

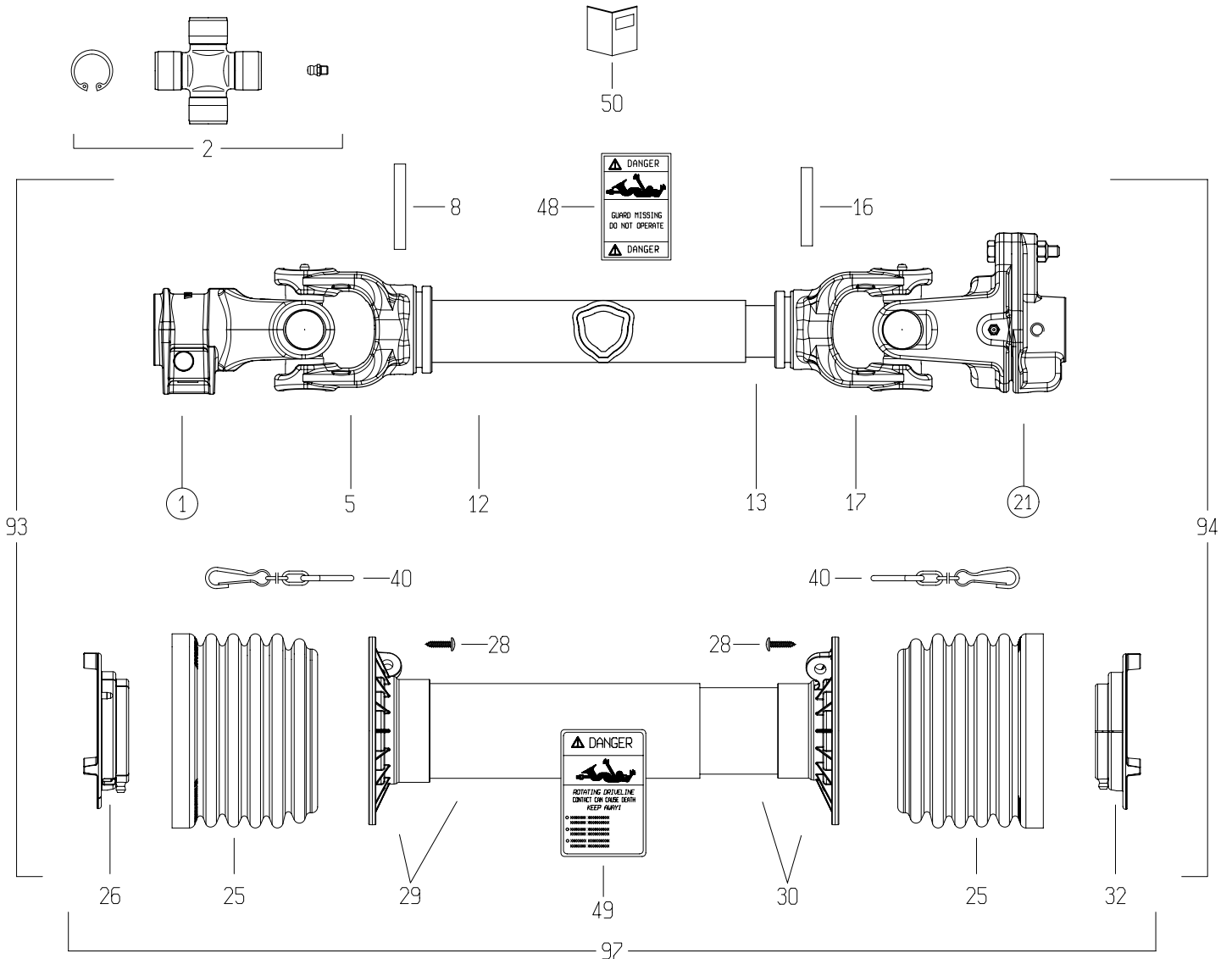


## CX550 Main Assembly S/N 94741+

Ref#	Description	Part#
1	Nut, 3/8	000915
2	Lock Washer, 3/8	000820
3	Flatwasher, 3/8	001035
4	Clamp Knob	900125
5	Deflector	900030
6	Carriage Bolt, 3/8 x 1	000125
7	Chip Chute	900865
8	Handle Grip	900116
9	Bolt, 3/8 x 1"	000270
10	Chute Retainer	900869
11	3/8" Flat Washer	001035
12	3/8" Nylon Locknut	003000
13	Upper Rotor Housing	900864
14	Bolt, 1/2 x 1-1/2	000435
15	Steel Locknut, 1/2	900144
16	Steel Locknut, 3/8	900134
17	Rotor Bushing w/ Bolts	900104
18	Bolt, 1/2 x 2	000452
19	Bearing Bracket	900015
20	Flange Bearing, 1-1/2	900127
21	Lock Washer, 1/2	000840
22	Nut, 1/2	000940
23	Rotor Shaft	900039
24	Key, 3/8 x 3/8 x 2	400857
25	Pulley, 5" 3-Groove	700172
26	Pulley Bushing w/ Bolts	900108
27	Lock Washer 1/4	000805
28	Bolt, 1/4 x 1-7/8	000188
29	Bolt, 5/16 x 2	000122
30	Key, 3/8 x 3/8 x 2	400857
31	Lock Washer, 5/16	000810
32	Steel Locknut, 1/2	900144

Ref#	Description	Part#
33	Rotor Paddle	900031
34	Belt, B-58	900109
35	Lower Rotor Housing	902342
36	Bolt, 1/2 x 2	000452
37	Flange Bearing, 1-1/4	900112
38	Lock Washer, 1/2	000840
39	Nut, 1/2	000940
40	Bolt, 1/2 x 1-1/2	000435
41	Flatwasher, 1/2	001055
42	Bolt, 1/2 x 1-1/4	000420
43	Lock Washer, 1/2	000840
44	Nut, 3/8	000915
45	Lock Washer, 3/8	000820
46	Anvil Adjuster	900023
47	Anvil	900014
48	Nut, 3/8	000915
49	Lock Washer, 3/8	000820
50	Carriage Bolt, 3/8 x 1	000125
51	Bolt, 1/2 x 1-1/2	000435
52	Recessed Head Bolt, 3/8 x 1-3/4	900129
53	Chipper Knife	900106
54	Nut, 3/8	000915
55	Flatwasher, 3/8	001035
56	Hopper	900033
57	Debris Curtain Bracket	900012
58	Debris Curtain	900126
59	Debris Curtain Clamp	900013
60	Flatwasher, 3/8	001035
61	Bolt, 3/8 x 1-1/4	000275
62	Chipper Rotor	900032
63	Rotor Shaft Cover	900859
64	Locking Collar	900157

# PTO Shaft Assembly S/N 92363+



Ref#	Description	Part#
1	Yoke #4/S4 1-3/8"Z6 Shrouded Pin (007)	500427
2	Cross Kit S4-G4 27X74.6 Cap Zerk	500428
5	Tube Yoke #4-G4 Outer (43.5)	500429
8	Flexible Roll Pin 8X60 Din1481	500430
12	Cardan Tube 12508 L=480	900501
13	Cardan Tube 12507 L=480	900502
16	Flexible Roll Pin 8X55 Din1481	500433
17	Tube Yoke #4-G4 Inner (36.0)	500434
21	Lb4/S4 Clutch 1700Nm 1-1/4" Rb 1/4"Kw	900503
25	Shield	900504
26	Shield Support Outer G3-G4	500436
28	Screw 4.8X22 Self Tap Zinc	500417
29	Shield Tube Outer G4 *062* U2	900505

Ref#	Description	Part#
30	Shield Tube Inner G4 *062* U2	900506
32	Shield Support Inner G3-G4	500437
40	Shield Chain W/S-Hook L=500Mm	500420
48	Label - Danger - Outer Drive Tube	500421
49	Label - Danger - Outer Shield Tube	500422
50	Instruction Booklet - N.america Global	500423
51	Complete Push Pin 1-3/8"Z6/Z21	900507
71	Grease Fitting M6x1 Straight	900508
72	Bolt-Nut M8x45 Cl 8.8 Pkg-5	900509
93	Half Shaft Cleared	900510
94	Half Shaft Cleared	900511
97	Complete Shield Kit	900512
	Complete PTO Shaft	900139