

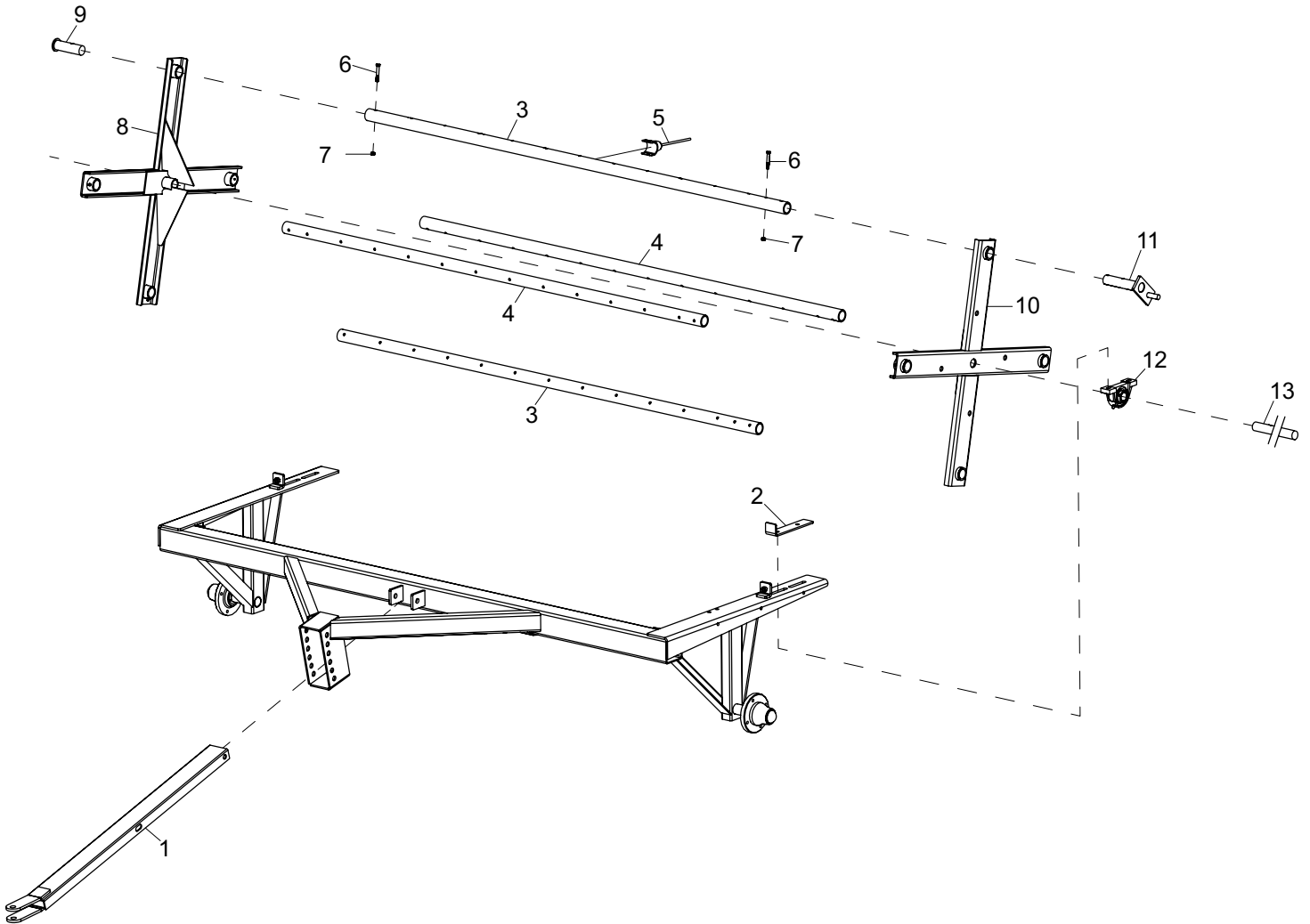


710/910 PTO Drive Fluffer Tedder

Illustrated Parts Breakdown

| | |
|---------------|-------------------------------------|
| Page 1 | Frame and Reel, 710P |
| Page 2 | Frame and Reel, 910P |
| Page 3 | Cam Roller Assembly |
| Page 4 | Cam Roller Assembly |
| Page 5 | PTO Drive System |
| Page 6 | Gearbox Assembly S/N -10,000 |
| Page 7 | Gearbox Assembly S/N 10,000+ |
| Page 8 | PTO Shaft, S/N -10,000 |
| Page 9 | PTO Shaft, S/N 10,000+ |

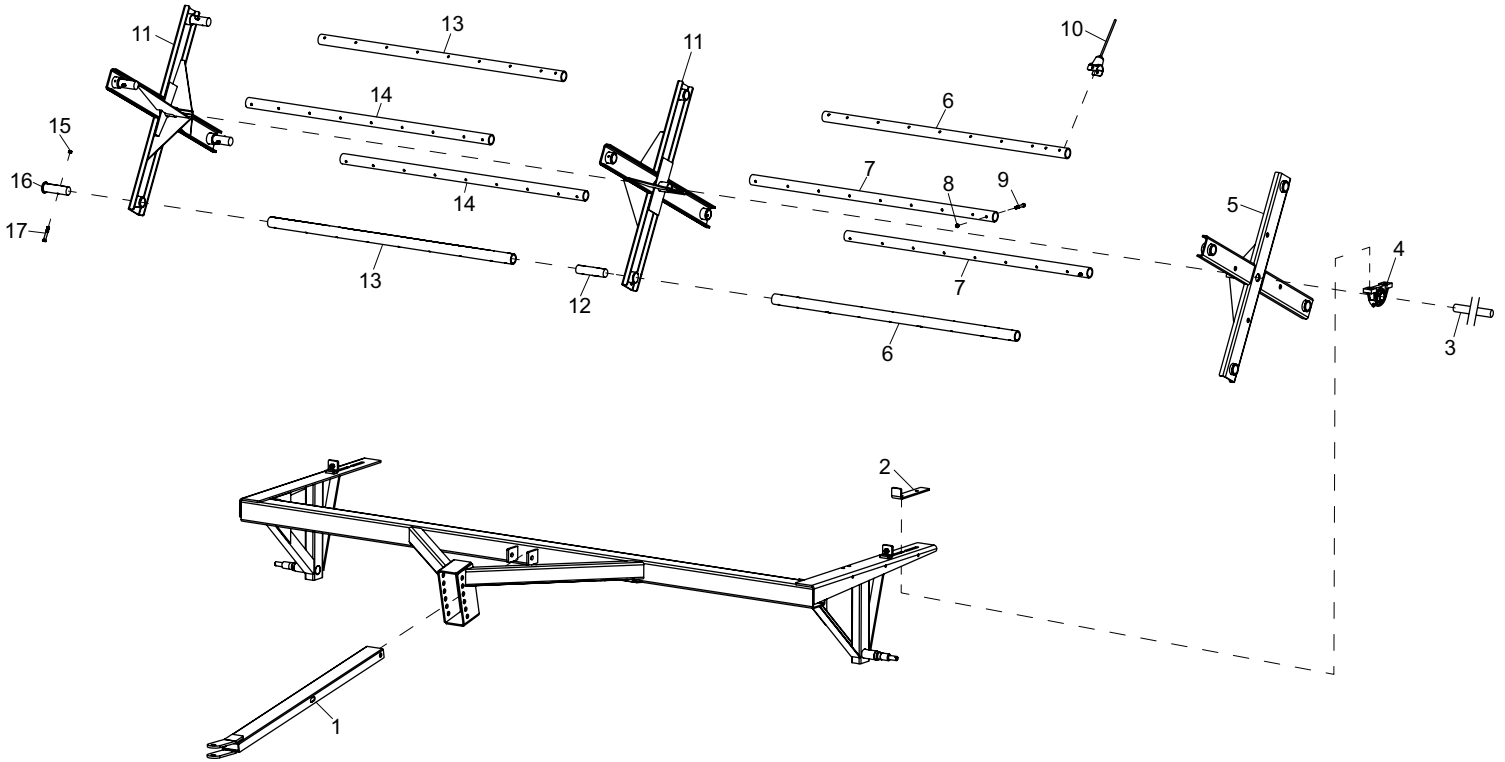
Frame and Reel, 710P



| ID | Description | Part # |
|----|-----------------------------|--------|
| 1 | Tongue Weldment | 700000 |
| 2 | Bearing Holder | 700182 |
| 3 | 13 Tine Reel Pipe | 700197 |
| 4 | 12 Tine Reel Pipe | 700196 |
| 5 | Tine | 700184 |
| 6 | 3/8" x 2-1/2" Hex Head Bolt | 000300 |
| 7 | 3/8" Hex Nut | 000915 |

| ID | Description | Part # |
|----|-----------------------------|--------|
| 8 | Cross Arm Weldment | 700042 |
| 9 | Reel Pipe Stud Weldment | 700068 |
| 10 | Crank Cross Arm Weldment | 700050 |
| 11 | Crank Arm Stud Weldment | 700072 |
| 12 | 1-3/8" Pillow Block Bearing | 700183 |
| 13 | 710G Reel Shaft | 700313 |

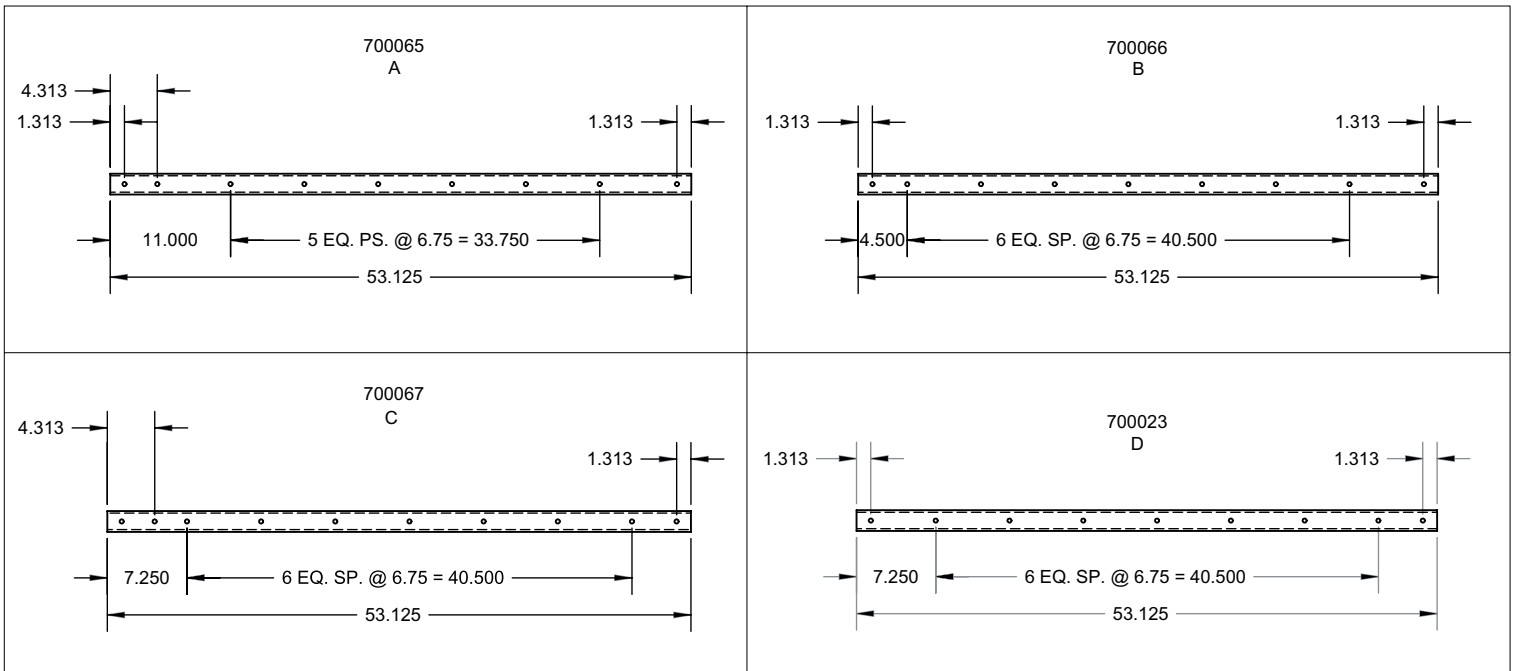
Frame and Reel, 910P



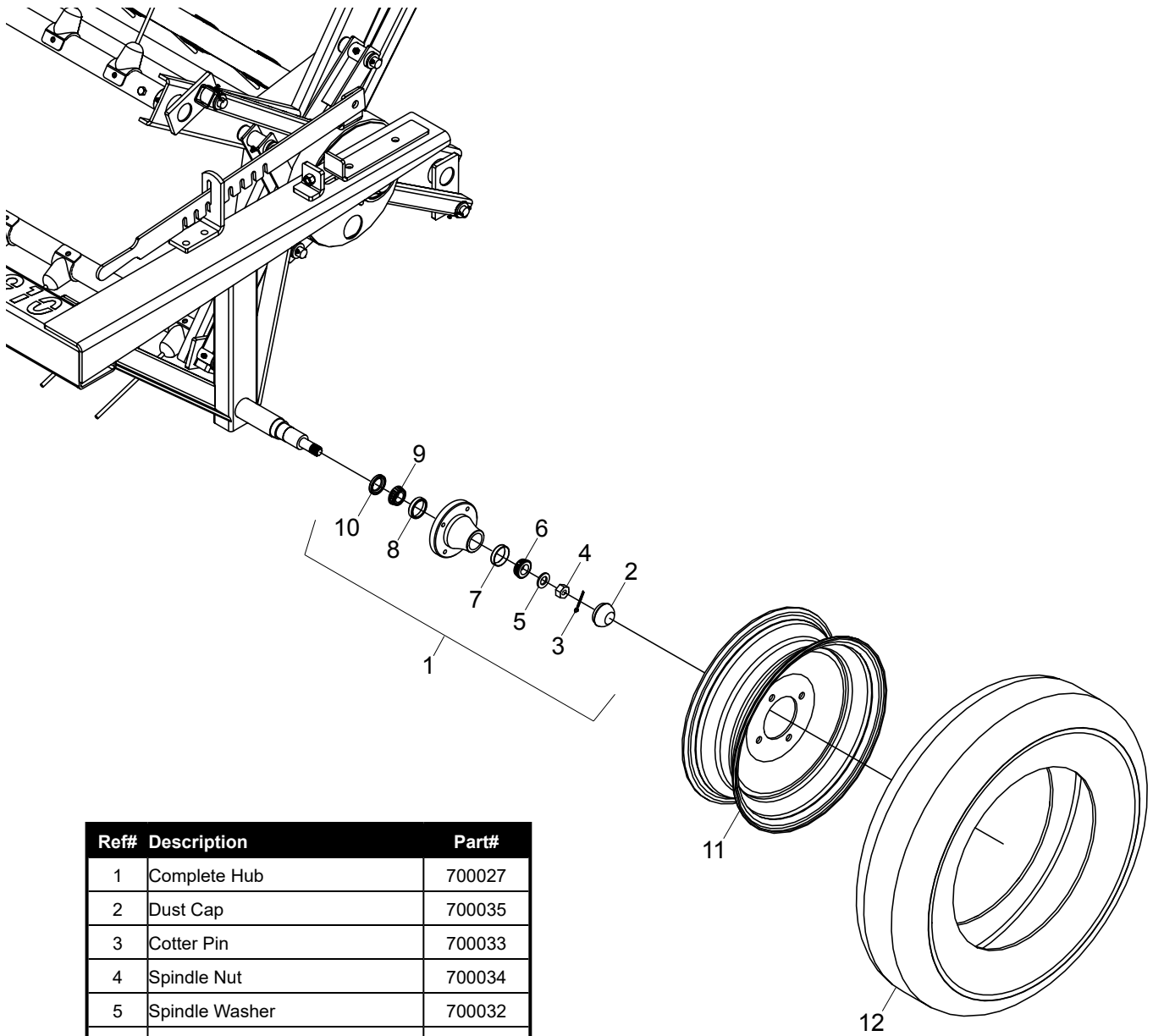
| ID | Description | 710P | 910P |
|----|-------------------------------|--------|--------|
| 1 | Tongue Assembly | 700000 | |
| 2 | Bearing Holder | 700182 | |
| 3 | 1-3/8" Reel Shaft | 700195 | 700064 |
| 4 | 1-3/8" Pillow Block Bearing | 700183 | |
| 5 | Left Crank Cross Arm Assembly | 700050 | |
| 6 | Reel Pipe, Left (10 Holes) | 700067 | |
| 7 | Reel Pipe, Left (9 Holes) | 700065 | |
| 8 | 3/8" Hex Nut | 000915 | |
| 9 | 3/8" x 2-1/2" Bolt | 000300 | |

| ID | Description | 710P | 910P |
|----|------------------------|--------|------|
| 10 | Fluffer Tedder Tine | 700184 | |
| 11 | Cross Arm Weldment | 700042 | |
| 12 | Reel Pipe Stud, Center | 700071 | |
| 13 | Reel Pipe B, Right | 700066 | |
| 14 | Reel Pipe D, Right | 700023 | |
| 15 | 3/8" Hex Nut | 000915 | |
| 16 | Reel Pipe Stud, Right | 700068 | |
| 17 | 3/8" x 2-1/2" Bolt | 000300 | |

See illustrations below when ordering reel pipes.

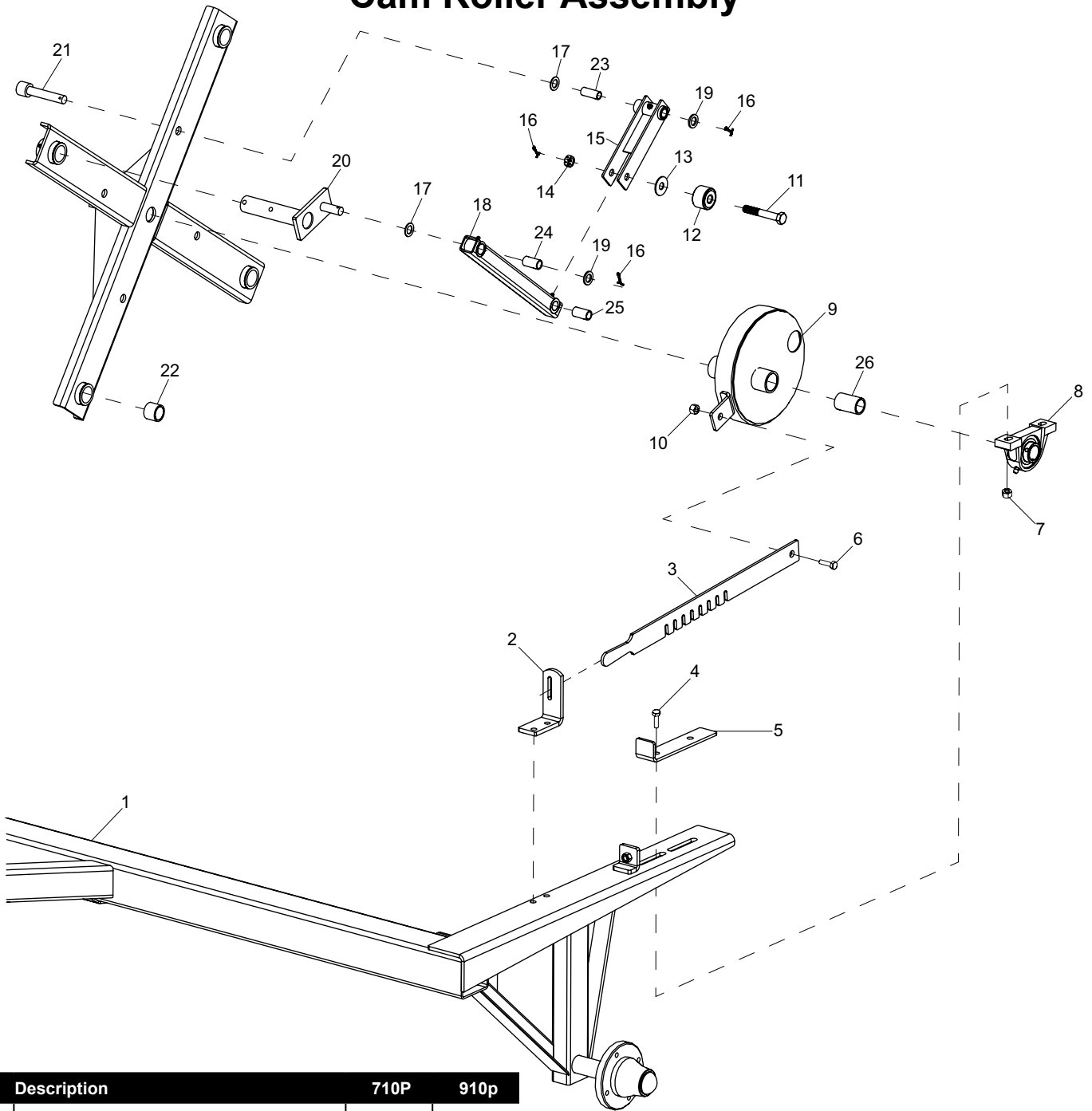


Hub, Wheel and Tire



| Ref# | Description | Part# |
|------|--------------------------|--------|
| 1 | Complete Hub | 700027 |
| 2 | Dust Cap | 700035 |
| 3 | Cotter Pin | 700033 |
| 4 | Spindle Nut | 700034 |
| 5 | Spindle Washer | 700032 |
| 6 | Bearing, LM11949 | 700028 |
| 7 | Race, LM11910 | 700029 |
| 8 | Race, LM67010 | 700143 |
| 9 | Bearing, LM67048 | 700142 |
| 10 | Grease Seal | 700030 |
| 11 | Wheel (15" x 5" -4 Bolt) | 700187 |
| 12 | Tire (6.40 x 15 - 4 Ply) | 700186 |

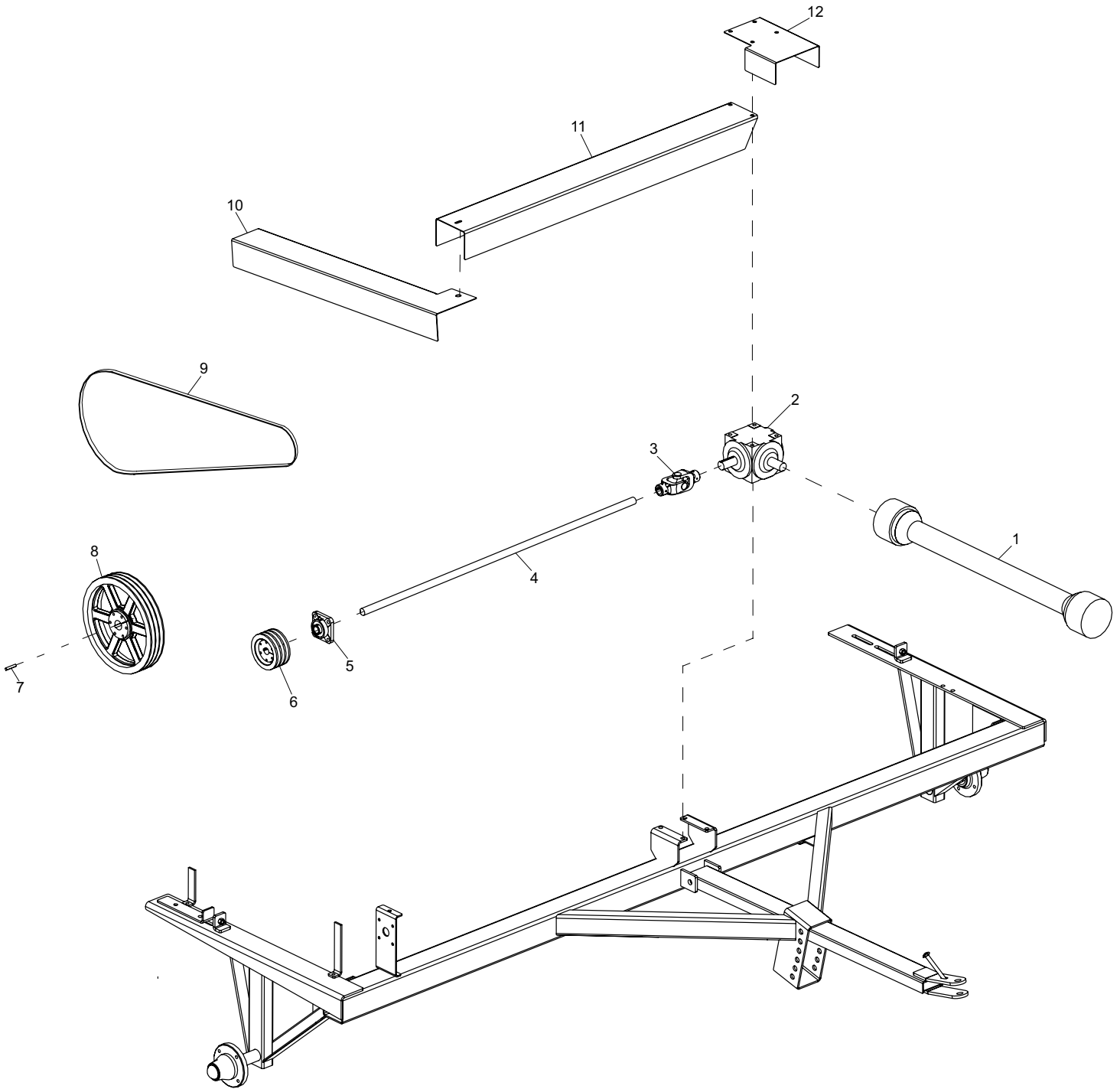
Cam Roller Assembly



| ID | Description | 710P | 910p |
|----|------------------------------|--------|--------|
| 1 | Frame | 700190 | 700005 |
| 2 | Lever Bracket | | 700181 |
| 3 | Tine Pitch Adjustment Lever | | 700180 |
| 4 | 9/16" x 2-1/4" Hex Head Bolt | | 000600 |
| 5 | Bearing Holder | | 700182 |
| 6 | 5/8" x 1-1/2" Hex Head Bolt | | 000610 |
| 7 | 9/16" Hex Nut | | 000965 |
| 8 | 1-3/8" Pillow Block Bearing | | 700183 |
| 9 | Cam Roll Box Weldment | | 700094 |
| 10 | 5/8" Hex Nut | | 000970 |
| 11 | Cam Roller Bolt | | 700090 |
| 12 | Cam Roller Bearing | | 700089 |
| 13 | 5/8" USS Flat Washer | | 001075 |
| 14 | 5/8" Slotted Hex Nut | | 700021 |
| 15 | Crank Arm Holder Weldment | | 700083 |

| ID | Description | 710P | 910P |
|----|---------------------------------------|------|--------|
| 16 | 5/32" x 1-1/4" Cotter Pin | | 400406 |
| 17 | 3/4" x 1-1/4" Bushing, 14 Ga. | | 400148 |
| 18 | Crank Arm Fab Assembly | | 700076 |
| 19 | 3/4" x 1-1/4" Bushing, 10 Ga. | | 400146 |
| 20 | Crank Arm Stud | | 700072 |
| 21 | Reel Arm Stud Pin | | 700058 |
| 22 | Crank Cross Arm Bushing | | 700054 |
| 23 | Crank Arm Holder Bushing | | 700087 |
| 24 | Crank Arm Bronze Bushing, Crank Side | | 700080 |
| 25 | Crank Arm Bronze Bushing, Holder Side | | 700081 |
| 26 | Cam Roll Box Bronze Bushing | | 700099 |

PTO Drive System

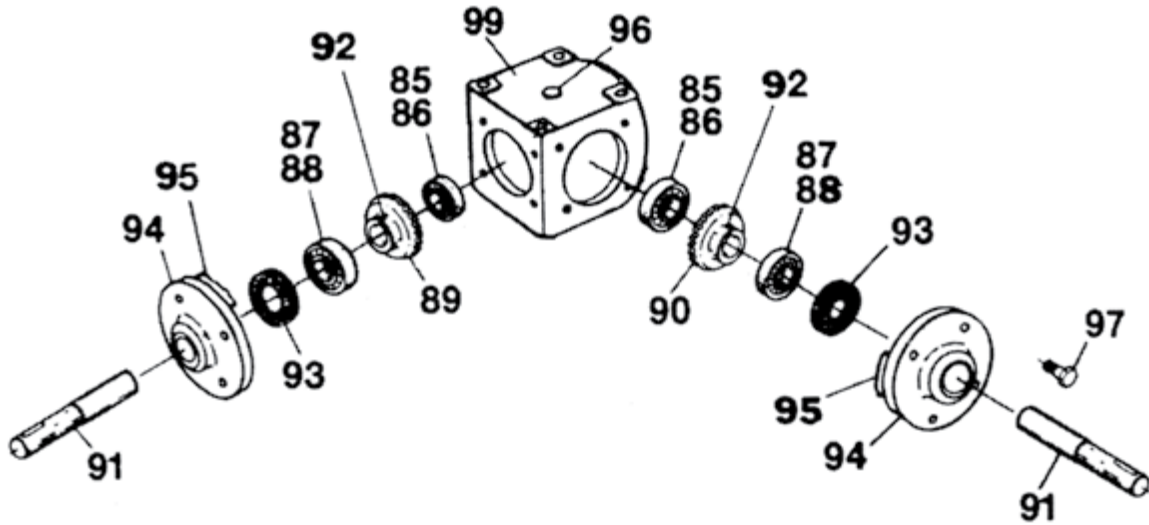


| ID | Description | 710P | 910p |
|----|----------------------------|--------|--------|
| 1 | PTO Shaft | 700200 | 700104 |
| 2 | Gearbox | 700234 | 700138 |
| 3 | H Joint | 700254 | 700162 |
| 4 | Drive Shaft | 700260 | 700169 |
| 5 | 1" 4 Bolt Flange Bearing | 700053 | |
| 6 | 5 Inch Pulley with Bushing | 700261 | 700171 |

| ID | Description | 710P | 910P |
|----|-----------------------------|--------|--------|
| 7 | .313 x 1.750 Key | 500217 | |
| 8 | 14 Inch Pulley with Bushing | 700199 | 700198 |
| 9 | B-92 Belt | 700174 | |
| 10 | Belt Shield Weldment | 700056 | 700057 |
| 11 | Drive Line Shield | 700264 | 700176 |
| 12 | Gear Box Shield | 700263 | 700175 |

710/910 Tedder Gearbox

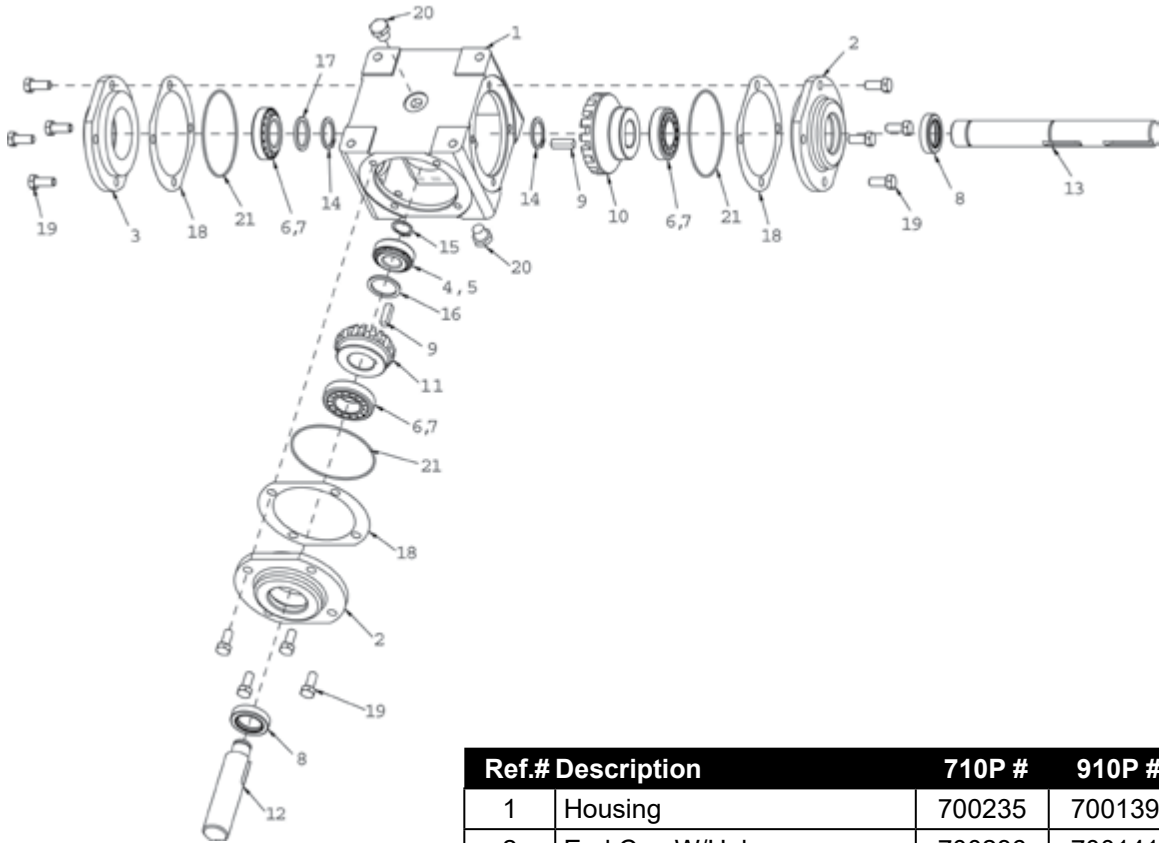
(Serial Numbers before 10,000)



| Ref.# | Description | 710P # | 910P # |
|-------|------------------|--------|--------|
| 85 | Race | 700238 | 700143 |
| 86 | Bearing | 700237 | 700142 |
| 87 | Bearing | 700147 | 700837 |
| 88 | Race | 700148 | 700838 |
| 89 | Gear | 700827 | 700839 |
| 90 | Gear | 700828 | 700840 |
| 91 | Shaft | 700829 | 700841 |
| 92 | Roll Pin | 700830 | 700842 |
| 93 | Oil Seal | 700831 | 700357 |
| 94 | Cover Top | 700832 | 700844 |
| 95 | Gasket | 700833 | 700845 |
| 96 | Vented Plug | 700834 | 700846 |
| 97 | Cover Top Bolt | 700835 | 700835 |
| 99 | Gear Box Housing | 700836 | 700848 |

710/910 Tedder Gearbox

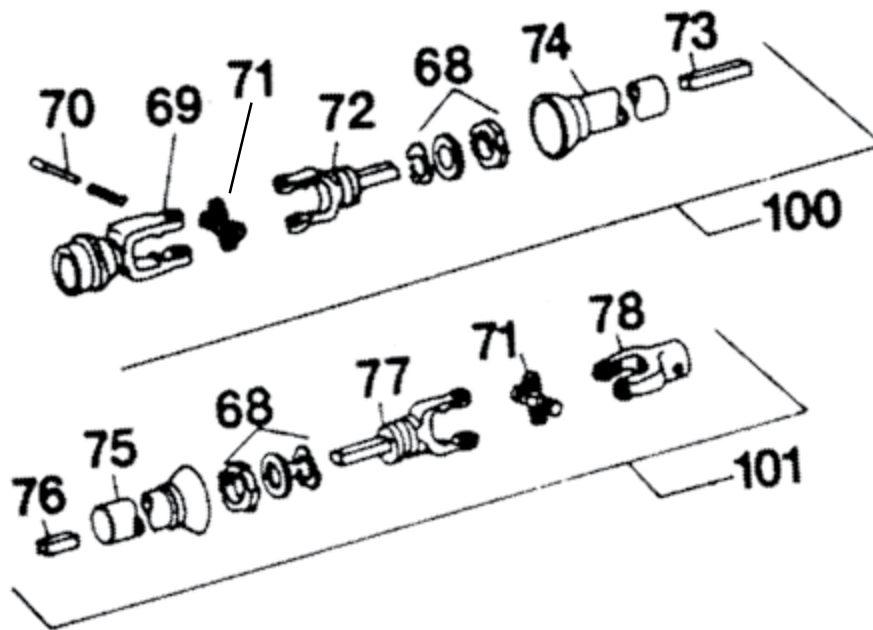
(Serial Numbers after 10,000)



| Ref.# | Description | 710P # | 910P # |
|-------|----------------|--------|--------|
| 1 | Housing | 700235 | 700139 |
| 2 | End Cap W/Hole | 700236 | 700141 |
| 3 | End Cap | 700252 | 700140 |
| 4 | Bearing Cone | 700237 | 700147 |
| 5 | Bearing Cup | 700238 | 700148 |
| 6 | Bearing Cone | 700147 | 700142 |
| 7 | Bearing Cup | 700148 | 700143 |
| 8 | Seal | 700240 | 700149 |
| 9 | Key | 700242 | 700145 |
| 10 | Gear | 700247 | 700160 |
| 11 | Gear | 700253 | 700153 |
| 12 | Short Shaft | 700249 | 700154 |
| 13 | Long Shaft | 700250 | 700155 |
| 14 | Snap Ring | 700884 | 700144 |
| 15 | Snap Ring | 700885 | 700884 |
| 16 | Spacer | 700251 | 700890 |
| 17 | Spacer | 700241 | 700146 |
| 18 | Gasket | 700886 | 700889 |
| 19 | Cap Screw | 700245 | 700150 |
| 20 | Pipe Plug | 700244 | 700152 |
| 21 | O-Ring | 700887 | 700888 |

710/910 Tedder PTO Shaft

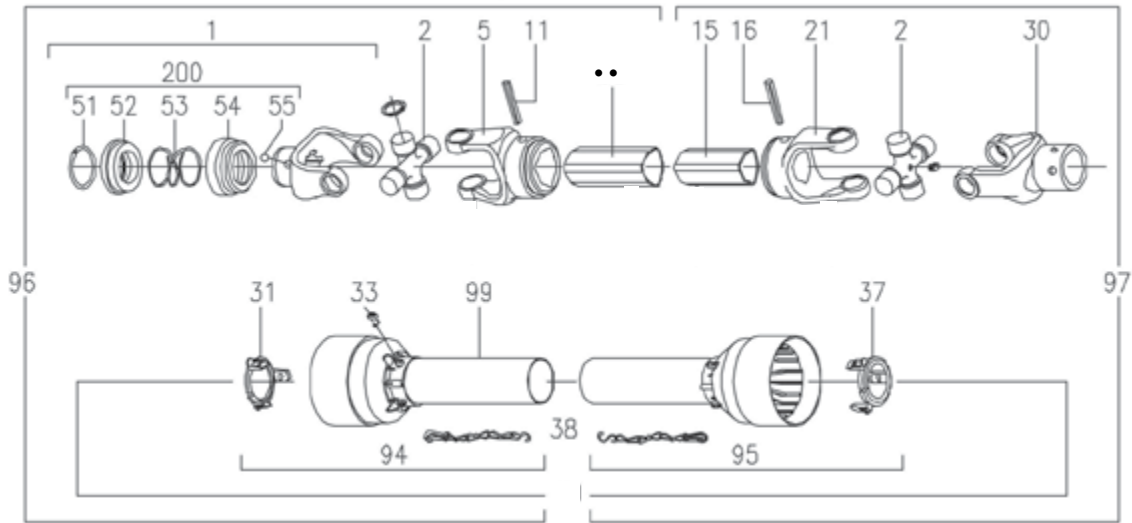
(Serial Numbers before 10,000)



| Ref.# | Description | 710P # | 910P # |
|-------|-----------------------------|--------|--------|
| 68 | PTO Shield Bearing | 700327 | 700860 |
| 69 | Snap Hitch Yoke | 700857 | 700861 |
| 70 | Pin, Spring, & Keeper | 700329 | 700862 |
| 71 | U-Joint Repair Kit | 700858 | 700863 |
| 72 | Yoke (weld) bar | NA | NA |
| 73 | Rectangular Shaft "per ft." | NA | NA |
| 74 | Inner Plastic Shield | 700325 | 700864 |
| 75 | Outer Plastic Shield | 700326 | 700865 |
| 76 | Rectangular Tube "per ft." | NA | NA |
| 77 | Yoke (weld) Tubing | NA | NA |
| 78 | Implement Yoke | 700859 | 700866 |

710/910 Tedder PTO Shaft

(Serial Numbers after 10,000)



| Ref.# | Description | 710P # | 910P # |
|-------|------------------------------|--------|--------|
| 1 | Complete Collar Yoke C12 | 700218 | 700867 |
| 2 | Cross Journal Kit | 700220 | 700868 |
| 5 | Outer Yoke | 700219 | 700869 |
| 11 | Roll Pin | 700224 | 700870 |
| 14 | Outer Tube | 700206 | 700871 |
| 15 | Inner Tube | 700207 | 700872 |
| 16 | Roll Pin | 700209 | 700224 |
| 21 | Inner Yoke | 700204 | 700873 |
| 30 | Implement Yoke | 700202 | 700874 |
| 31 | Outer Guard Retaining Collar | 700229 | 700875 |
| 33 | Plastic Locking Bolt | 700230 | 700230 |
| 37 | Inner Guard Retaining Collar | 700214 | 700876 |
| 38 | Safety Chain | 700213 | 700213 |
| 51 | Outer Circle Clip | 700210 | 700210 |
| 52 | Sliding Sleeve Collar | 700211 | 700211 |
| 53 | Spring | 700212 | 700212 |
| 54 | Fixed Sleeve | 700221 | 700221 |
| 55 | 1/2" Ball | 700222 | 700222 |
| 94 | Outer Guard Complete | 700225 | 700880 |
| 95 | Inner Guard Complete | 700217 | 700881 |
| 96 | Complete Front Half | 700231 | 700882 |
| 97 | Complete Rear Half | 700201 | 700883 |
| | Complete PTO Shaft | 700200 | 700104 |
| 200 | Collar Kit | 700856 | 700856 |
| | Set Screw | 001130 | 001130 |