

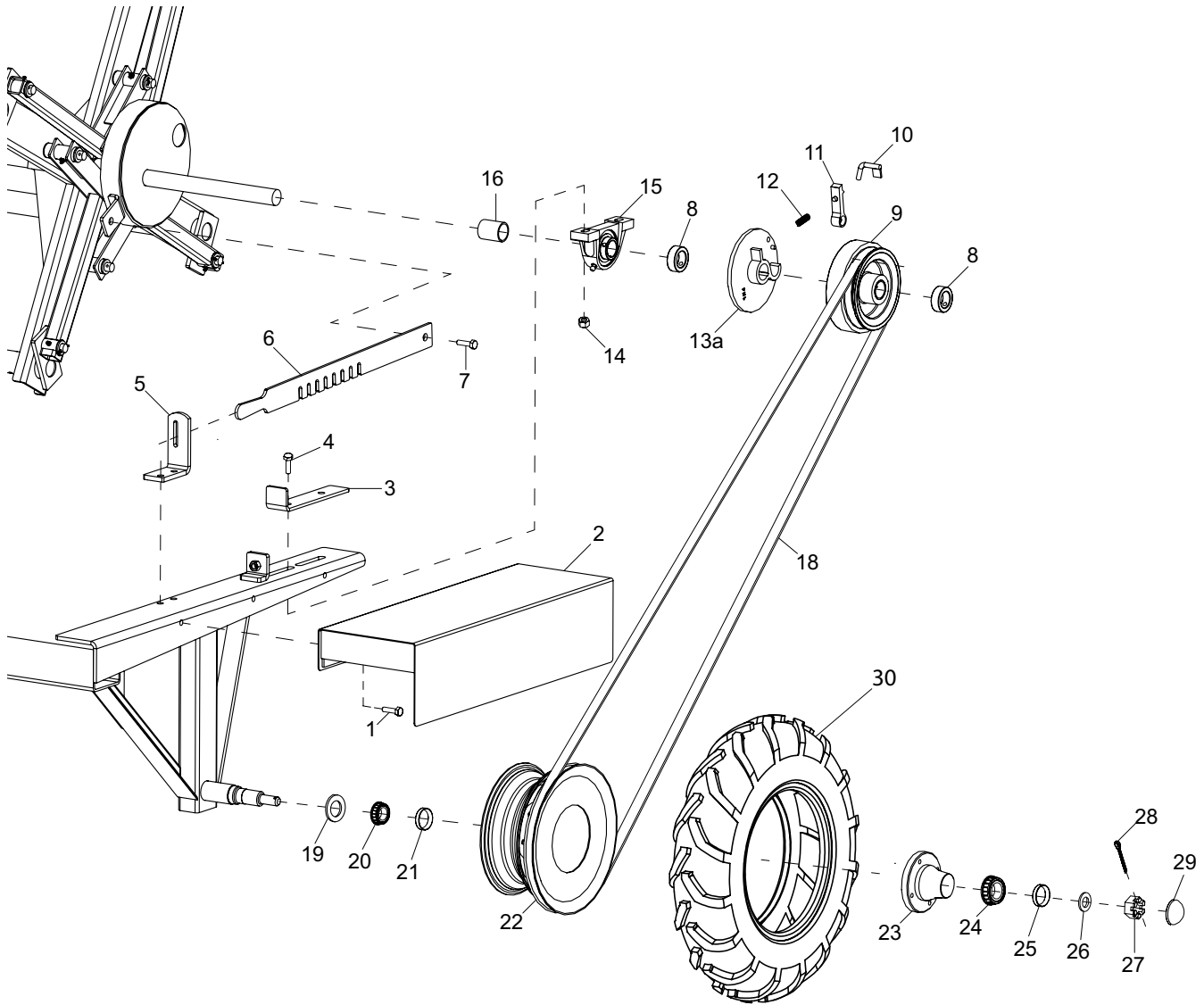


710/910 Ground Drive Fluffer Tedder

Illustrated Parts Breakdown

Page 1	Drive Assembly
Page 2	Cam Roller Assembly
Page 3	Frame and Reel, 910G
Page 4	Frame and Reel, 710G

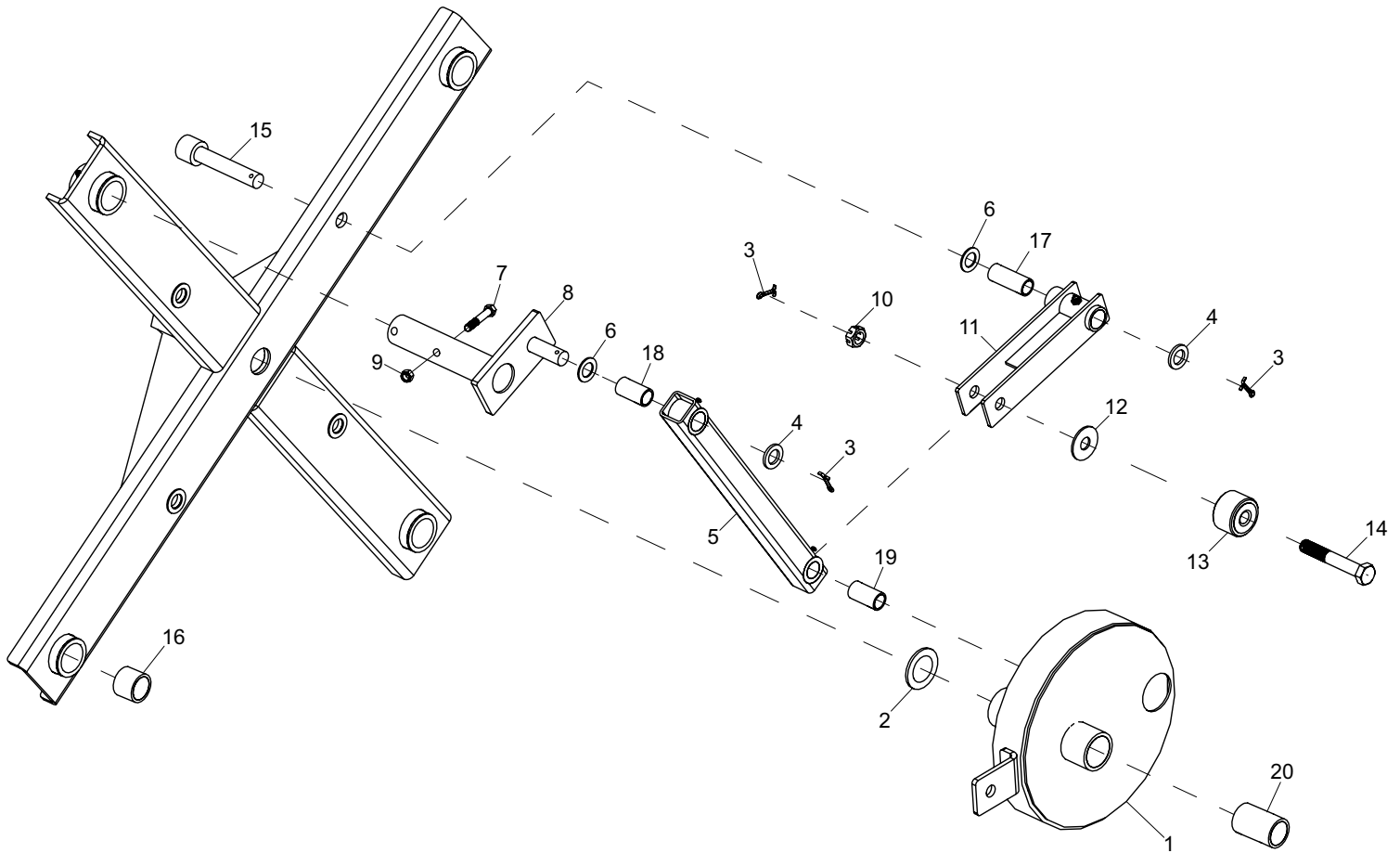
Pulley Drive Assembly



ID	Description	710G	910G
1	3/8" x 1-1/4" Hex Head Bolt		000275
2	Pulley Shield Weldment		700305
3	Bearing Holder		700182
4	9/16" x 2-1/4" Hex Head Bolt		000600
5	Lever Bracket		700181
6	Tine Pitch Adjustment Lever		700180
7	5/8" x 1-1/2" Hex Head Bolt		000610
8	1.375" Shaft Collar		700285
9	V-Pulley Casting Fab Assembly		700280
10	Engaging Lever Weldment		700282
11	Pawl Casting		700281
12	Compression Spring		700284
13a	Backer Plate Assembly, Left		700286
13b	Backer Plate Assembly, Right		700295
14	9/16" Hex Nut		000965
15	Pillow Block Bearing		700183
16	Bronze Bushing		700099

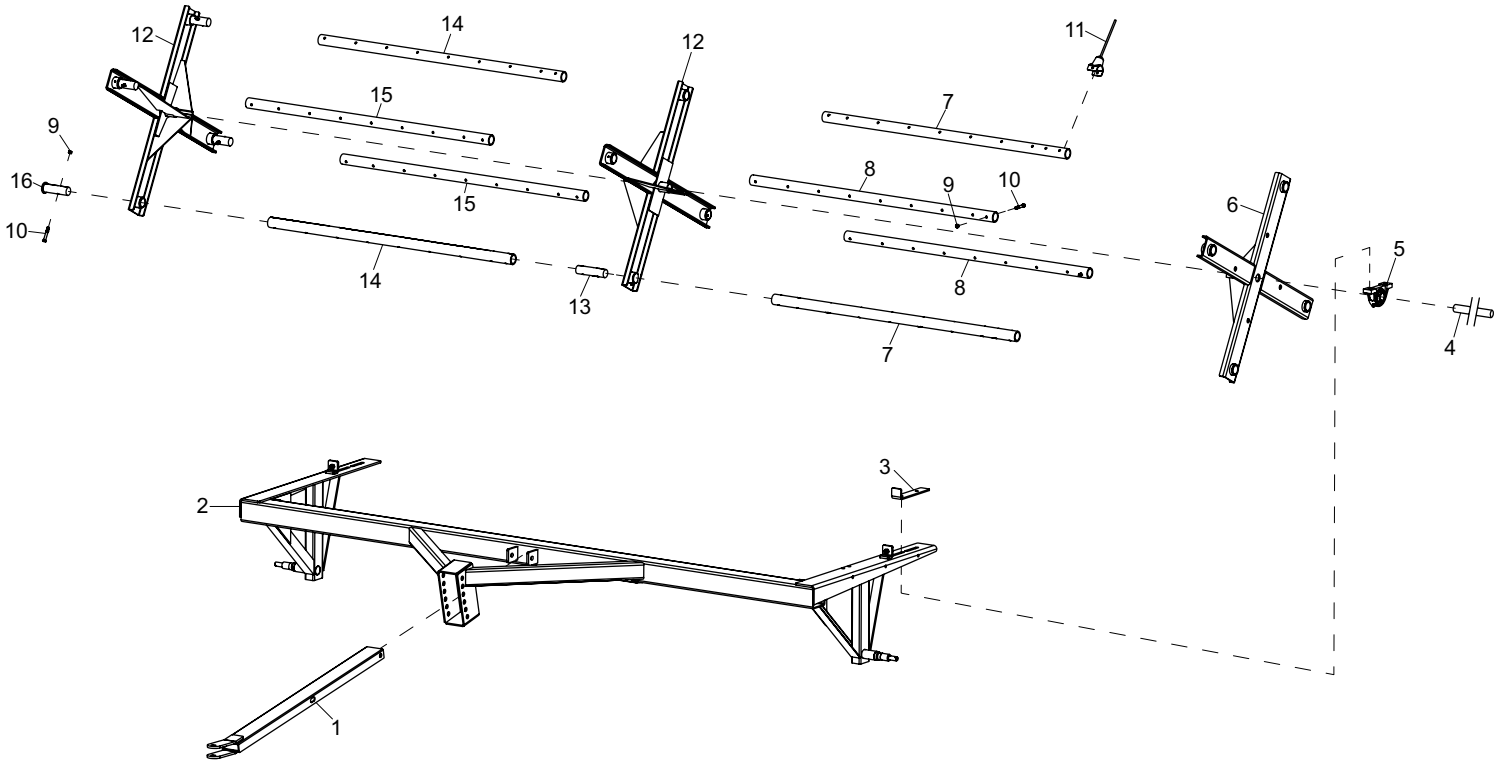
ID	Description	710G	910G
17	5/8" Hex Nut		000970
18	CX72 Belt		700300
	CX64 Belt		700304
19	Grease Seal		700030
20	Bearing (Inner)		700142
21	Race (Inner)		700143
22	Wheel with 12" Pulley (Tractor Driven)		700301
	Wheel with 16" Pulley (Horse Driven)		700297
	Steel Wheel Assembly w/ Pulley		700314
23	Hub Assembly		700027
24	Bearing (Outer)		700028
25	Race (Outer)		700029
26	Spindle Washer		700032
27	Spindle Nut		700034
28	1/8" x 2" Cotter Pin		700033
29	Hub Cap		700035
30	Traction Tire		401373

Cam Roller Assembly



ID	Description	910G
1	Cam Roll Box Weldment	700094
2	1-3/8" x 2-1/8" 10 Ga. Bushing	001510
3	5/32" x 1-1/4" Cotter Pin	400406
4	3/4" x 1-1/4" 10 Ga. Bushing	400146
5	Crank Arm w/ Bushings	700076
6	3/4" x 1-1/4" 14 Ga. Bushing	400148
7	3/8" x 2-1/2" Hex Head Bolt	000300
8	Crank Arm Stud Weldment	700072
9	3/8" Hex Nut	000915
10	5/8" Slotted Hex Nut	700021
11	Crank Arm Holder w/ Bushing	700083
12	5/8" USS Flat Washer	001075
13	Cam Roller Bearing	700089
14	Cam Roller Bolt	700090
15	Reel Arm Stud Pin Weldment	700058
16	Crank Cross Arm Bushing	700054
17	Crank Arm Holder Bushing	700087
18	Crank Arm Bronze Bushing, Crank Side	700080
19	Crank Arm Bronze Bushing, Holder Side	700081
20	Cam Roll Box Bronze Bushing	700099

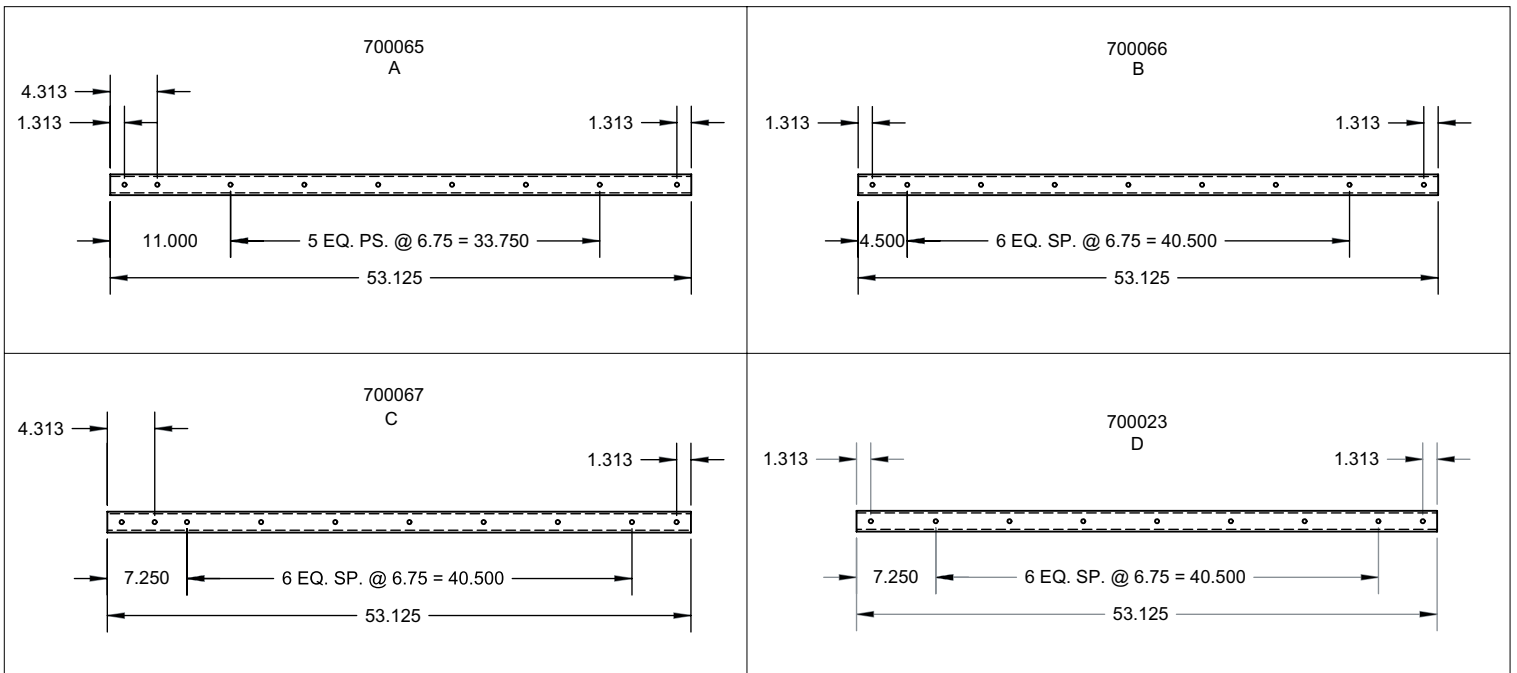
Frame and Reel, 910G



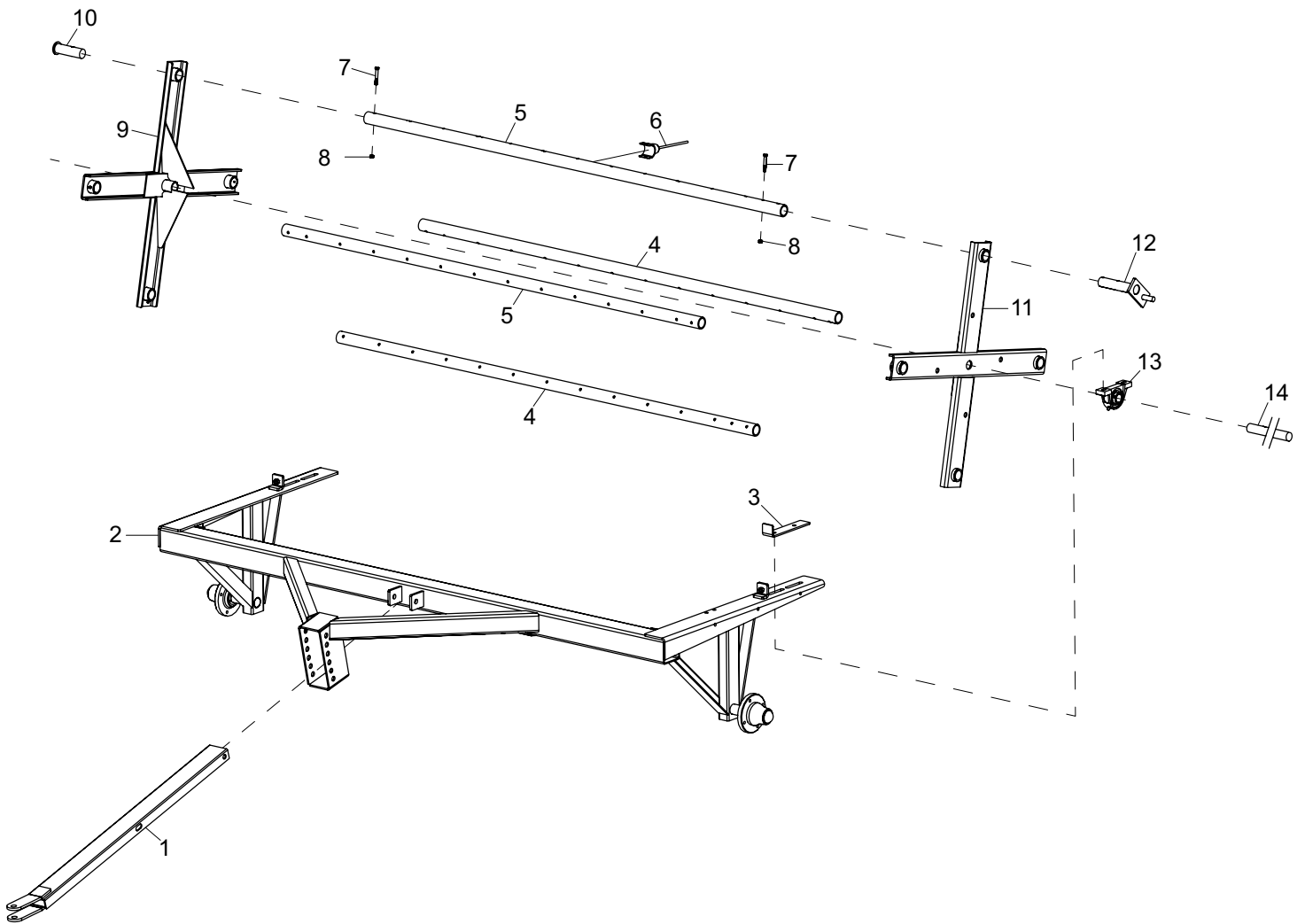
ID	Description	Part #
1	Tongue Assembly	700267
2	Main Frame Assembly	700268
3	Bearing Holder	700182
4	1-3/8" Reel Shaft	700278
5	1-3/8" Pillow Block Bearing	700183
6	Left Crank Cross Arm Assembly	700050
7	Reel Pipe C, Left	700067
8	ReelPipe A, Left	700065

ID	Description	Part #
9	3/8" Hex Nut	000915
10	3/8" x 2-1/2" Bolt	000300
11	Fluffer Tedder Tine	700184
12	Cross Arm Weldment	700042
13	Reel Pipe Stud, Center	700071
14	Reel Pipe B, Right	700066
15	Reel Pipe D, Right	700023
16	Reel Pipe Stud, Right	700068

See illustrations below when ordering reel pipes.



Frame and Reel, 710G



ID	Description	Part #
1	Tongue Weldment	700267
2	Main Frame	700309
3	Bearing Holder	700182
4	13 Tine Reel Pipe	700197
5	12 Tine Reel Pipe	700196
6	Tine	700184
7	3/8" x 2-1/2" Hex Head Bolt	000300

ID	Description	Part #
8	3/8" Hex Nut	000915
9	Cross Arm Weldment	700042
10	Reel Pipe Stud Weldment	700068
11	Crank Cross Arm Weldment	700050
12	Crank Arm Stud Weldment	700072
13	1-3/8" Pillow Block Bearing	700183
14	710G Reel Shaft	700313