



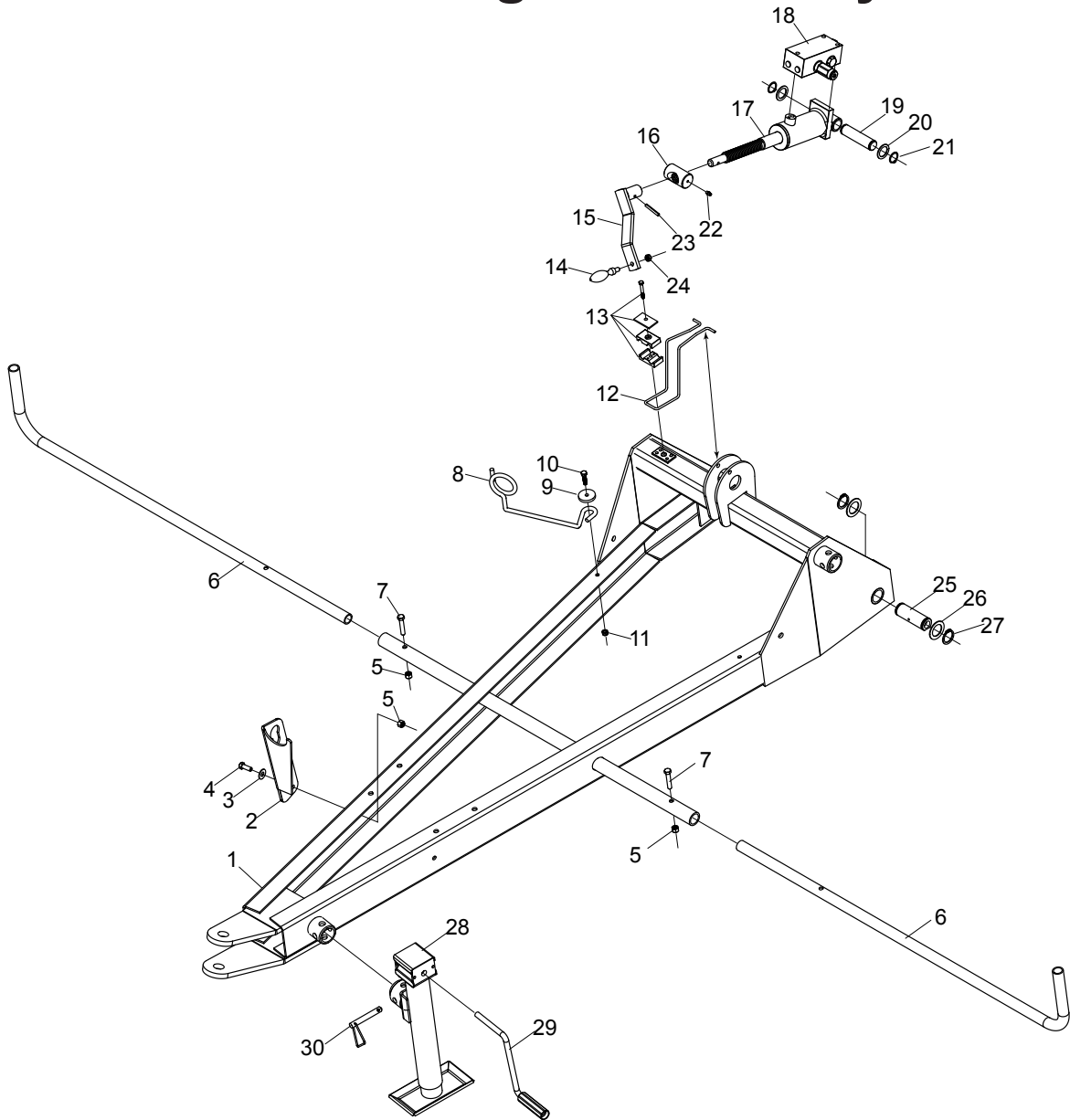
# TT4100 Rotary Tedder

Serial numbers less than 88750

## Illustrated Parts Breakdown

- Page 1    Tongue Assembly**
- Page 2    Frame Assembly**
- Page 3    Rotor and Wing Assembly**
- Page 4    Axle and Wheel**
- Page 5    Input Gearbox Assembly**
- Page 6    Rotor Gearbox Assembly**
- Page 7    PTO Shaft Assembly**
- Page 8    Hydraulics**

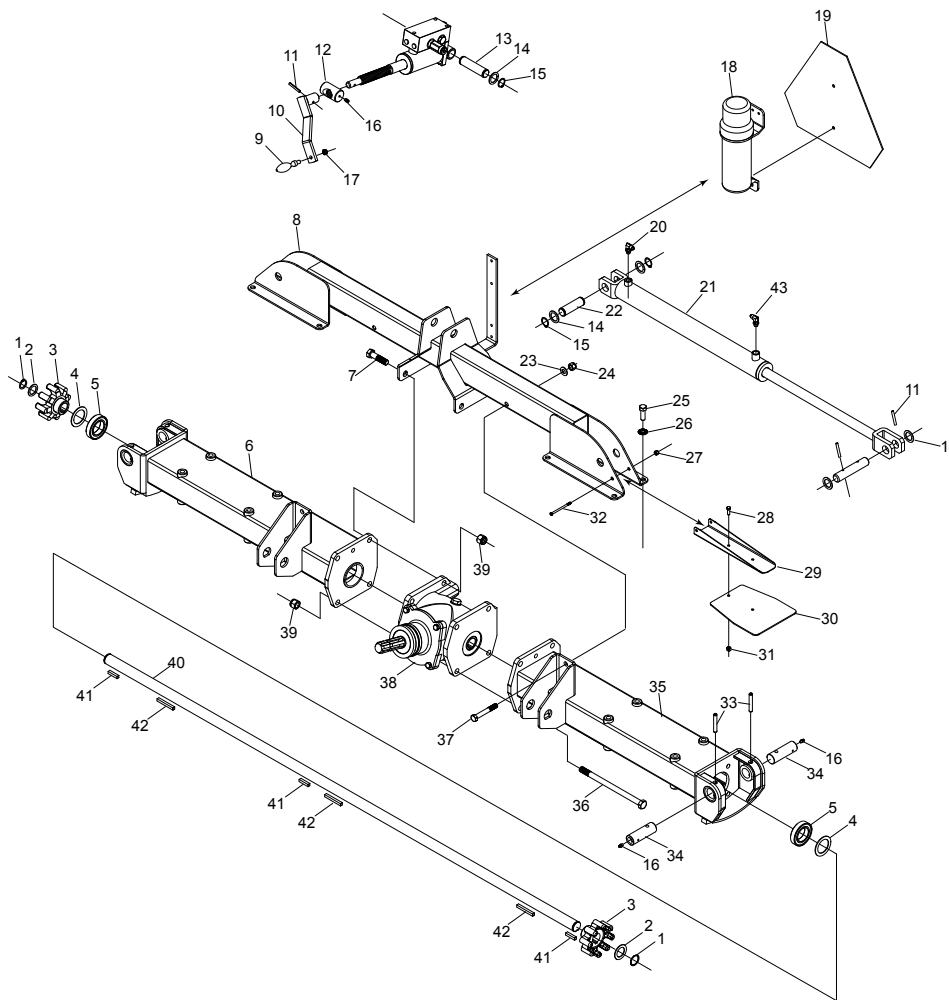
# TT4100 Tongue Assembly



Ref#	Description	Part#	Qty
1	Tongue Assembly	702796	1
2	PTO Stand	500015	1
3	Washer, 3/8	001035	1
4	Bolt, 3/8 x 1	000270	1
5	Nylon Locknut, 3/8	003000	3
6	Guard	702755	2
7	Bolt, 3/8 x 1-1/2	000286	2
8	Hose Support	502288	1
9	Hose Support Washer	502308	1
10	Bolt, 5/16 x 1-1/4	000230	1
11	Nylon Locknut, 5/16	002999	1
12	Handle Lock	702713	1
13	Hose Holding Kit	507294	1
14	Handle	502149	1
15	Handle Assembly	503037	1

Ref#	Description	Part#	Qty
16	Cylinder Mount	502218	1
17	Cylinder w/ Manifold	701033	1
18	Manifold	701000	1
19	Cylinder Pin	702831	1
20	Machinery Bushing, 1"	001008	2
21	Retaining Ring	505648	2
22	Grease Fitting	400117	3
23	Roll Pin, 1/4 x 1-3/4	500187	1
24	Nylon Jam Nut, 3/8	000920	1
25	Tongue Pivot Pin	702829	2
26	Machinery Bushing, 1-1/4	500185	4
27	Retaining Ring	702826	4
28	Jack, Complete	903317	1
29	Jack Handle	903318	1
30	Pin and Chain	500012	1

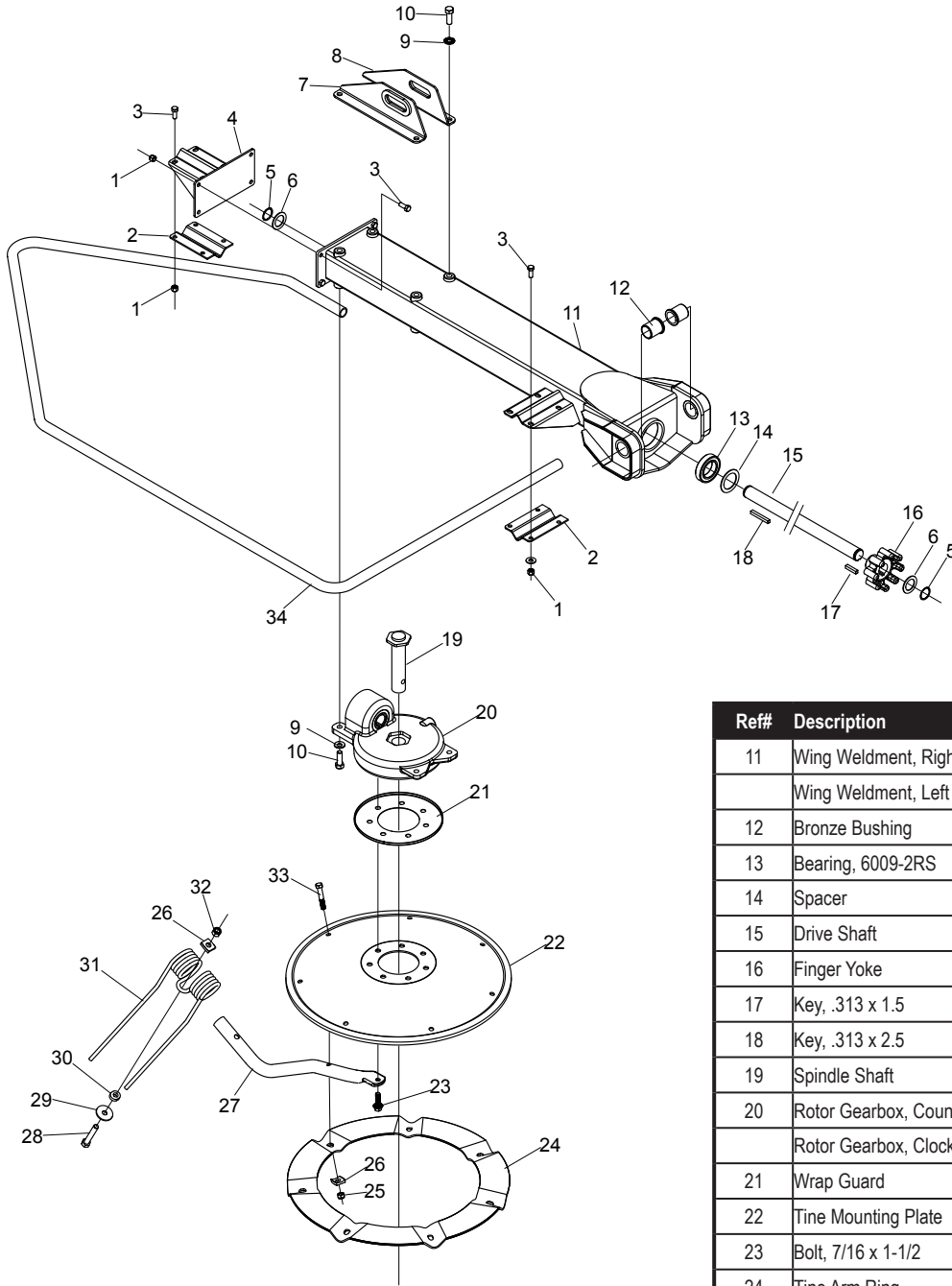
# TT4100 Frame Assembly



Ref#	Description	Part#	Qty
1	Retaining Ring	702460	2
2	Machinery Bushing	500185	2
3	Finger Joint	702667	2
4	Finger Joint Spacer	702668	2
5	Bearing, 6009-2RS	702613	2
6	Center Frame Weldment, Right	702684	1
7	Bolt, 5/8 x 2-1/2	000620	4
8	Tunnel Weldment	702817	1
9	Handle	502149	1
10	Handle Assembly	503037	1
11	Roll Pin, 1/4 x 1-3/4	500187	3
12	Threaded Cylinder Pin	502218	1
13	Cylinder Pin	702831	1
14	Machinery Bushing, 1"	001008	6
15	Retaining Ring, 1"	505648	6
16	Grease Fitting	400117	5
17	Nylon Jam Nut, 3/8	000920	1
18	OM Canister	503050	1
	Operator's Manual, TT4100	990039	1
19	SMV Triangle	507166	1
20	Elbow Fitting	700948	4
21	Cylinder	701040	2

Ref#	Description	Part#	Qty
22	Cylinder Pin	702830	2
23	Washer	001061	2
24	Nylon Lock Nut, 1/2	000950	2
25	Bolt, 1/2 x 1-1/2	000435	16
26	Safety Washer	702821	16
27	Nylon Locknut, 1/4	003001	2
28	Bolt, 1/4 x 3/4	000175	4
29	Joint Cover Bracket	702843	2
30	Rubber Cover	701032	2
31	Nylon Locknut, 1/4	003001	4
32	Bolt, 1/4 x 3-1/4	000200	2
33	Roll Pin, 3/8 x 2	702798	4
34	Pivot Pin	702725	4
35	Center Frame Weldment, Left	702619	1
36	Bolt, 5/8 x 10	000690	2
37	Bolt, 1/2 x 4	000205	2
38	Center Gearbox, Complete	702639	1
39	Nylon Locknut, 5/8	000972	6
40	Center Drive Shaft	702707	1
41	Key, .313 x 1.500	702822	3
42	Key, .313 x 2.500	702823	3
43	90 Degree Elbow, - #4 MJ x #6 MP	101916	2

# TT4100 Rotor and Wing Assembly

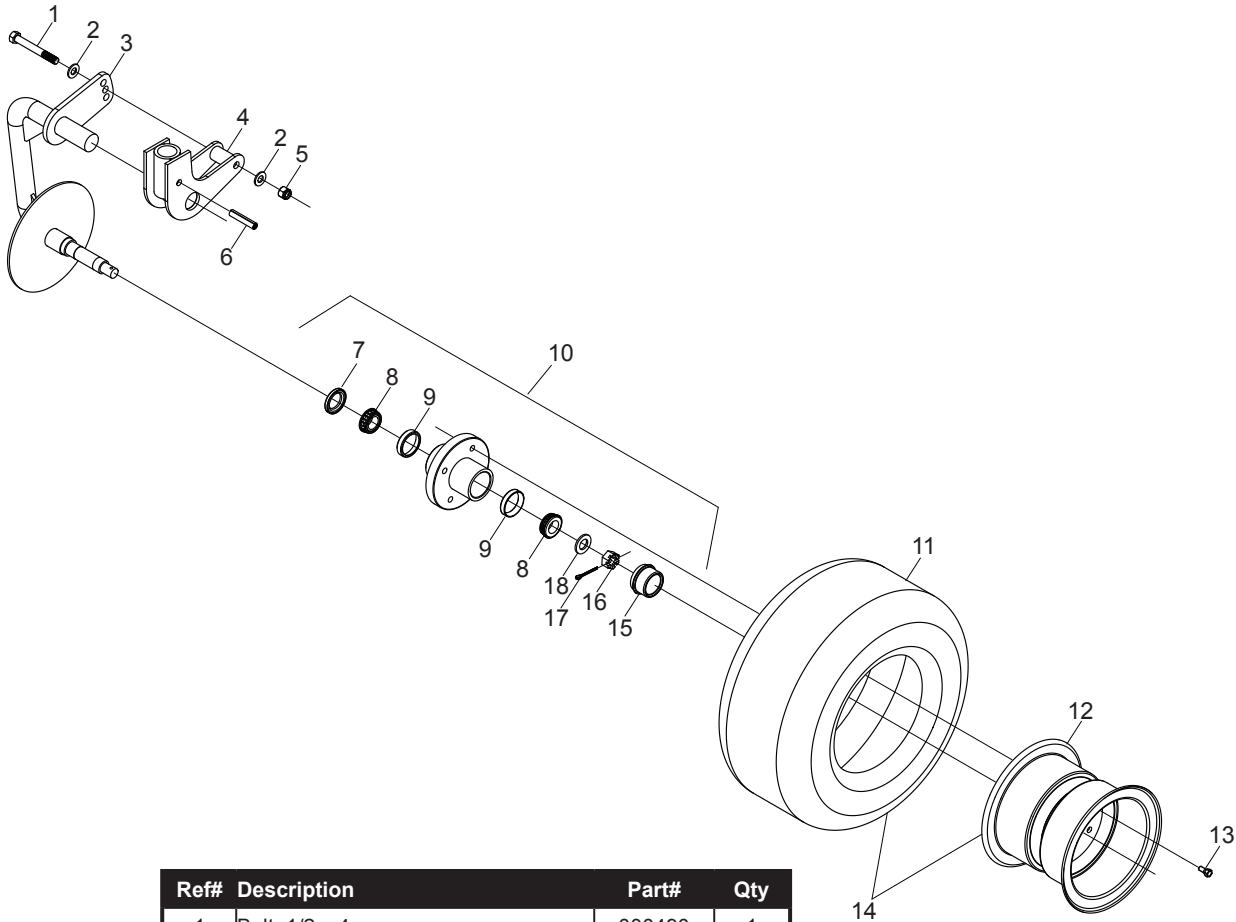


Ref#	Description	Part#	Qty
1	Nylon Locknut, 3/8	003000	8
2	Guard Cradle	702696	2
3	Bolt, 3/8 x 1	000270	8
4	Guard Bracket	702704	1
5	Retaining Ring	702460	2
6	Machinery Bushing, 1/4	500185	2
7	Cylinder Bracket	702837	1
8	Cylinder Bracket	702836	1
9	Safety Washer	702821	8
10	Bolt, 1/2 x 1-1/2	000435	8

Ref#	Description	Part#	Qty
11	Wing Weldment, Right	702705	1
	Wing Weldment, Left	702706	
12	Bronze Bushing	703535	2
13	Bearing, 6009-2RS	702613	1
14	Spacer	702668	1
15	Drive Shaft	702709	1
16	Finger Yoke	702667	1
17	Key, .313 x 1.5	702822	1
18	Key, .313 x 2.5	702823	1
19	Spindle Shaft	702674	1
20	Rotor Gearbox, Counter Clockwise	702717	1
	Rotor Gearbox, Clockwise	702603	
21	Wrap Guard	702734	1
22	Tine Mounting Plate	702714	1
23	Bolt, 7/16 x 1-1/2	000725	7
24	Tine Arm Ring	700942	1
25	Nylon Locknut, 7/16	000385	7
26	Radius Washer	701008	14
27	Tine Arm	702718	7
28	Bolt, 1/2 x 3 Gr.8	000471	7
29	Bottom Tine Washer	701004	7
30	Tine Pitch Washer	701005	7
31	Black Tine, Counter Clockwise Rotation	700901	7
	Gray Tine, Clockwise Rotation	700929	
32	Nylon Locknut, 1/2	000950	7
33	Bolt, 7/16 x 2-1/2	000375	7
34	Outer Guard	702693	1

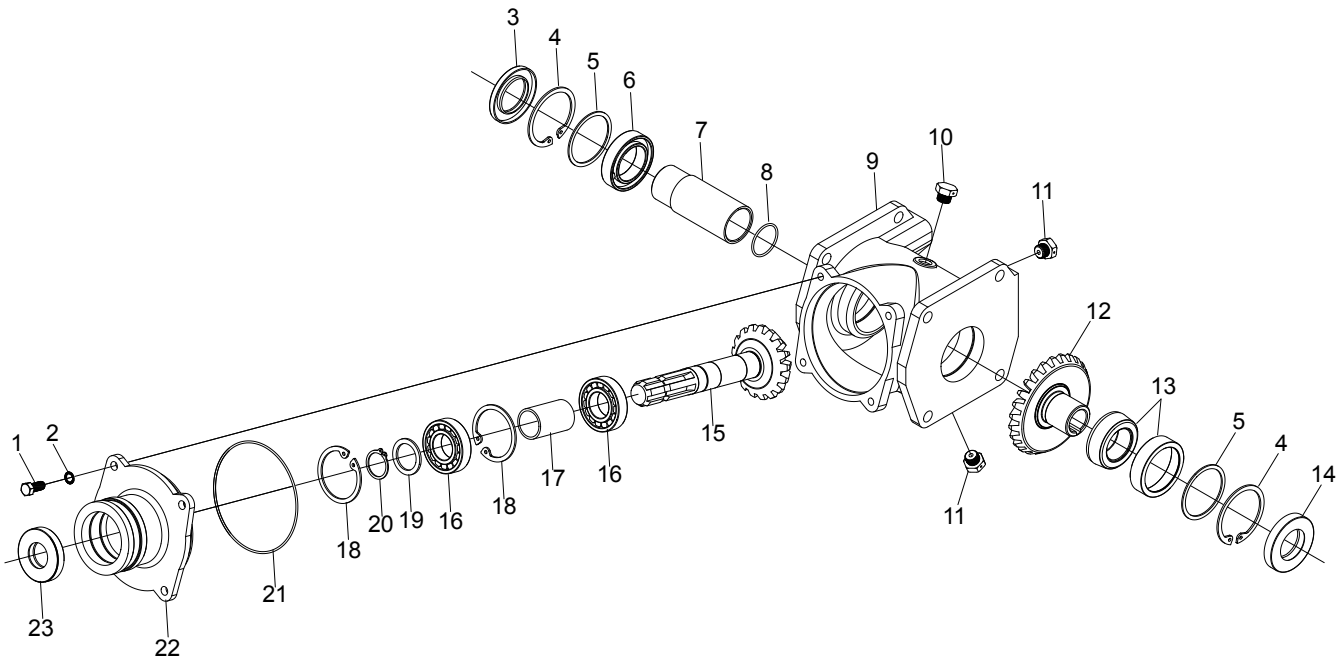
NOTE: Quantities listed are for left side only

# TT4100 Axle & Wheel



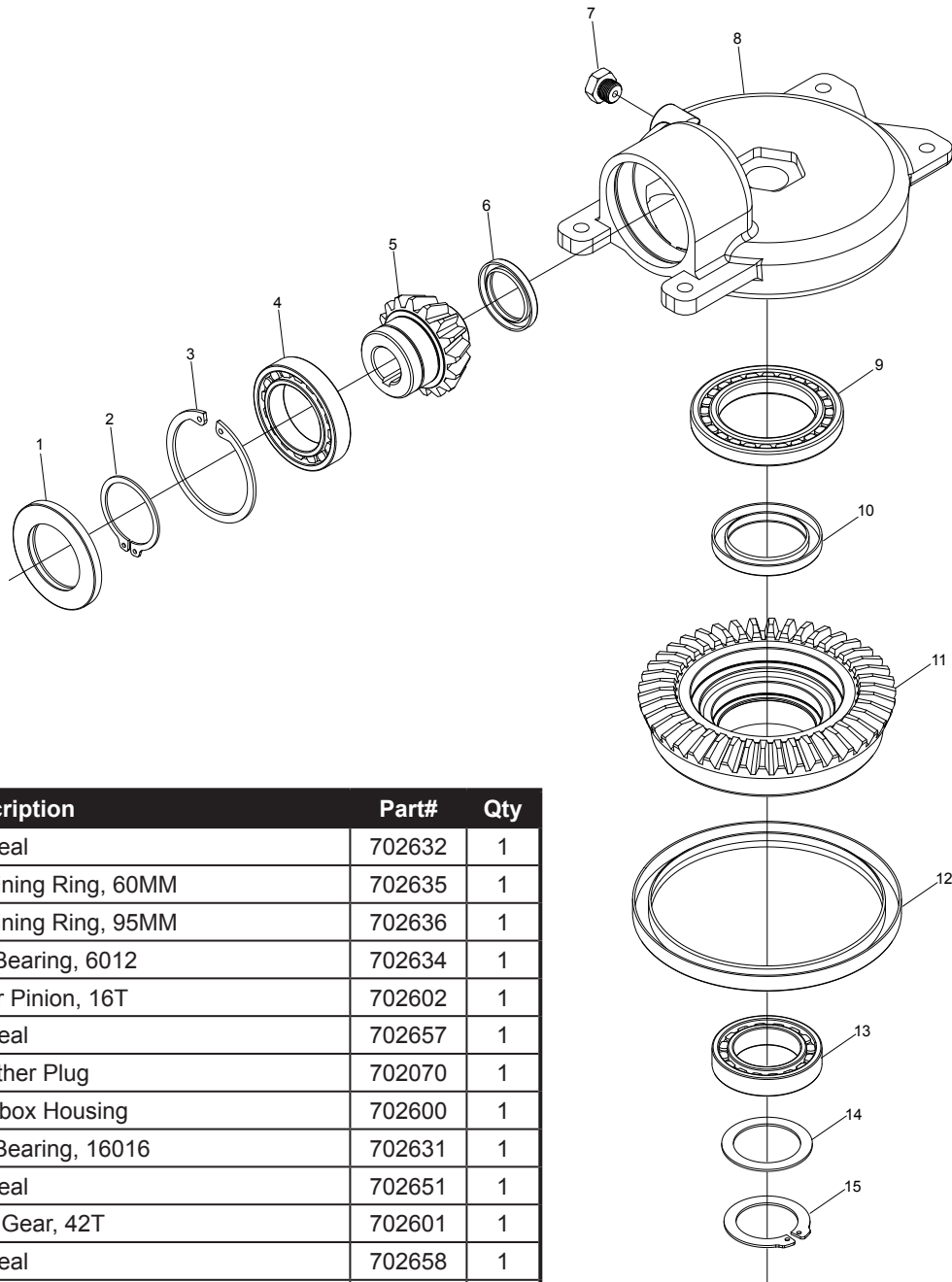
Ref#	Description	Part#	Qty
1	Bolt, 1/2 x 4	000490	1
2	SAE Washer, 1/2	001061	2
3	Spindle Assembly, Left	702824	1
	Spindle Assembly, Right	702825	
4	Spindle Bracket	702729	1
5	Nylon Locknut, 1/2	000950	1
6	Spirol Roll Pin	702019	1
7	Grease Seal	500201	1
8	Bearing, L44643	500202	2
9	Race, L44610	500204	2
10	Complete Hub	500199	1
11	Tire	500221	1
12	Rim	500222	1
13	Lug Bolt (for threaded hub)	500210	4
	Stub Bolt (drive in)	508505	
	Lug Nut (for drive in stud)	508506	
14	Tire and Wheel	500220	1
15	Dust Cap	500209	1
16	Spindle Nut	500207	1
17	Cotter Pin	500208	1
18	Spindle Washer	500206	1

# Input Gearbox Assembly



Ref#	Description	Part#	Qty
1	Bolt, 7/16 x 1 Gr. 8	000349	4
2	Safety Washer, 7/16	702663	4
3	Oil Seal	702654	1
4	Retaining Ring, 80MM	702643	2
5	Spacer Washer	702661	2
6	Ball Bearing, 6010	702638	1
7	Gear Spacer	702637	1
8	O-Ring	702646	1
9	Gearbox Housing	702615	1
10			
11			
12	26T Gear	702640	1
13	Tapered Bearing Set, 33109	702841	1
14	Oil Seal	702655	1
15	Input Shaft, 17T	702647	1
16	Ball Bearing, 6207	702644	2
17	Bearing Spacer	702649	1
18	Retaining Ring, 72MM	702650	2
19	Washer	702662	1
20	Retaining Ring, 35MM	702648	1
21	O-Ring	702665	1
22	Input Shaft Housing	702645	1
23	Oil Seal	702656	1
	Complete Center Gearbox	702639	

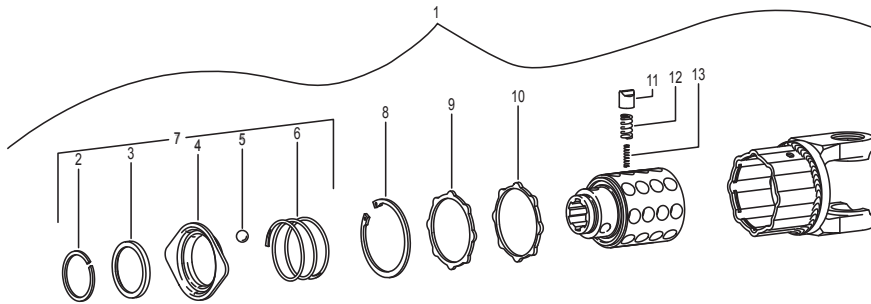
# Rotor Gearbox Assembly



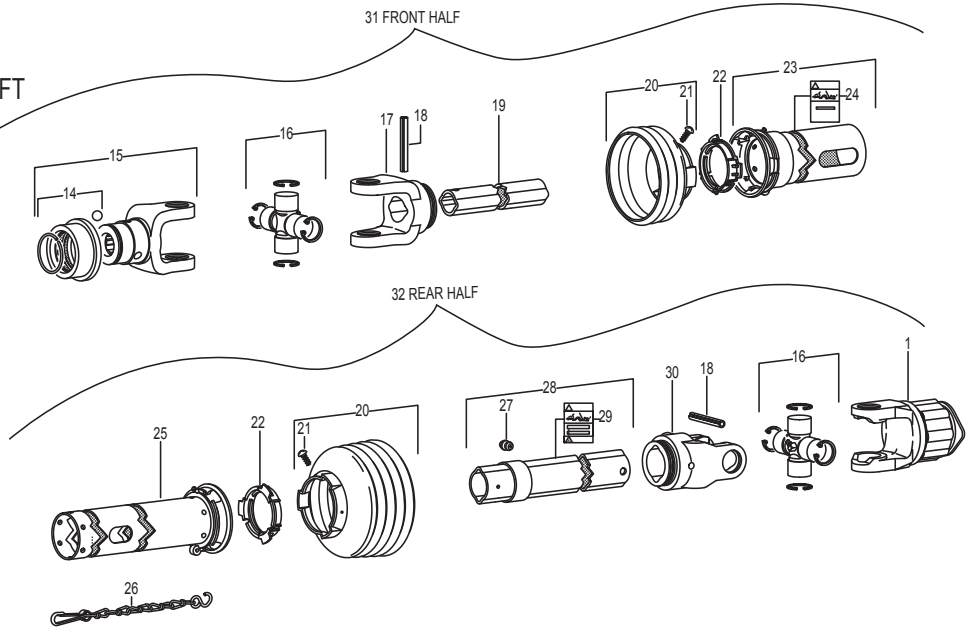
Ref#	Description	Part#	Qty
1	Oil Seal	702632	1
2	Retaining Ring, 60MM	702635	1
3	Retaining Ring, 95MM	702636	1
4	Ball Bearing, 6012	702634	1
5	Rotor Pinion, 16T	702602	1
6	Oil Seal	702657	1
7	Breather Plug	702070	1
8	Gearbox Housing	702600	1
9	Ball Bearing, 16016	702631	1
10	Oil Seal	702651	1
11	Ring Gear, 42T	702601	1
12	Oil Seal	702658	1
13	Ball Bearing, 6011-2RS	702633	1
14	Washer	702659	1
15	Retaining Ring, 55MM	702660	1
	Comp. Gearbox, Counter Clockwise	702717	
	Comp. Gearbox, Clockwise	702603	

# PTO Shaft

## CLUTCH



## SHAFT

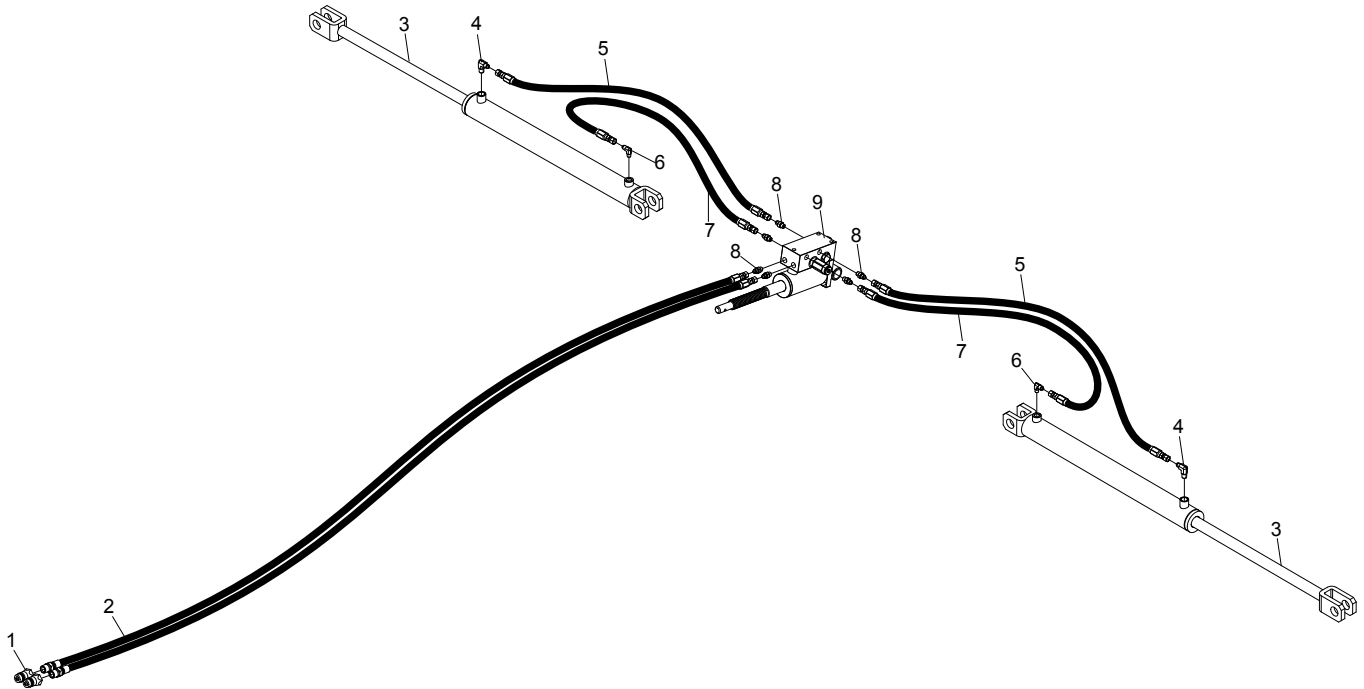


Ref#	Description	Part#	Qty
1	Radial Pin Clutch	702275	1
2	Retaining Ring	500048	1
3	Flanged Collar	500047	1
4	Lock Collar	500046	1
5	Ball 1/2	500044	3
6	Compression Spring	500045	1
7	Locking Flange Kit	500050	1
8	Retaining Ring	500043	1
9	Thrust Ring	500042	1
10	Plastic Seal Ring	500041	1
11	Cam	500038	32
12	Outer Compression Spring	500039	32
13	Inner Compression Spring	500040	16
14	Collar Kit	702279	1
15	Yoke, 1-3/8" 6-Spline	702270	1
16	Cross & Bearing Kit	702259	2
17	Inboard Yoke	702271	1

Ref#	Description	Part#	Qty
18	Spring Pin, 10 x 65	500031	2
19	Inner Profile	702272	1
20	Shield Cone, 5-Rib	702276	2
21	Screw	500058	2
22	Bearing Ring	500052	2
23	Outer Shield Tube	702277	1
24	Decal	500059	1
25	Inner Shield Tube	702278	1
26	Safety Chain	500060	1
27	Grease Fitting	500062	1
28	Outer Profile	702273	1
29	Decal	500061	1
30	Inboard Yoke	702274	1
31	Front Half Shaft	702280	1
32	Rear Half Shaft	702281	1
33	Complete PTO Shaft	701034	1



# Hydraulics



Ref#	Description	Part#	Qty
1	Hydraulic Coupler	290105	2
2	Hose, 118"	701039	2
3	Cylinder	701040	2
4	Elbow Fitting	101916	2
5	Hose, 50.5"	702844	2
6	Elbow Fitting	702459	2
7	Hose, 41"	701038	2
8	Straight Fitting	290195	6
9	Tilt Cylinder	701033	1