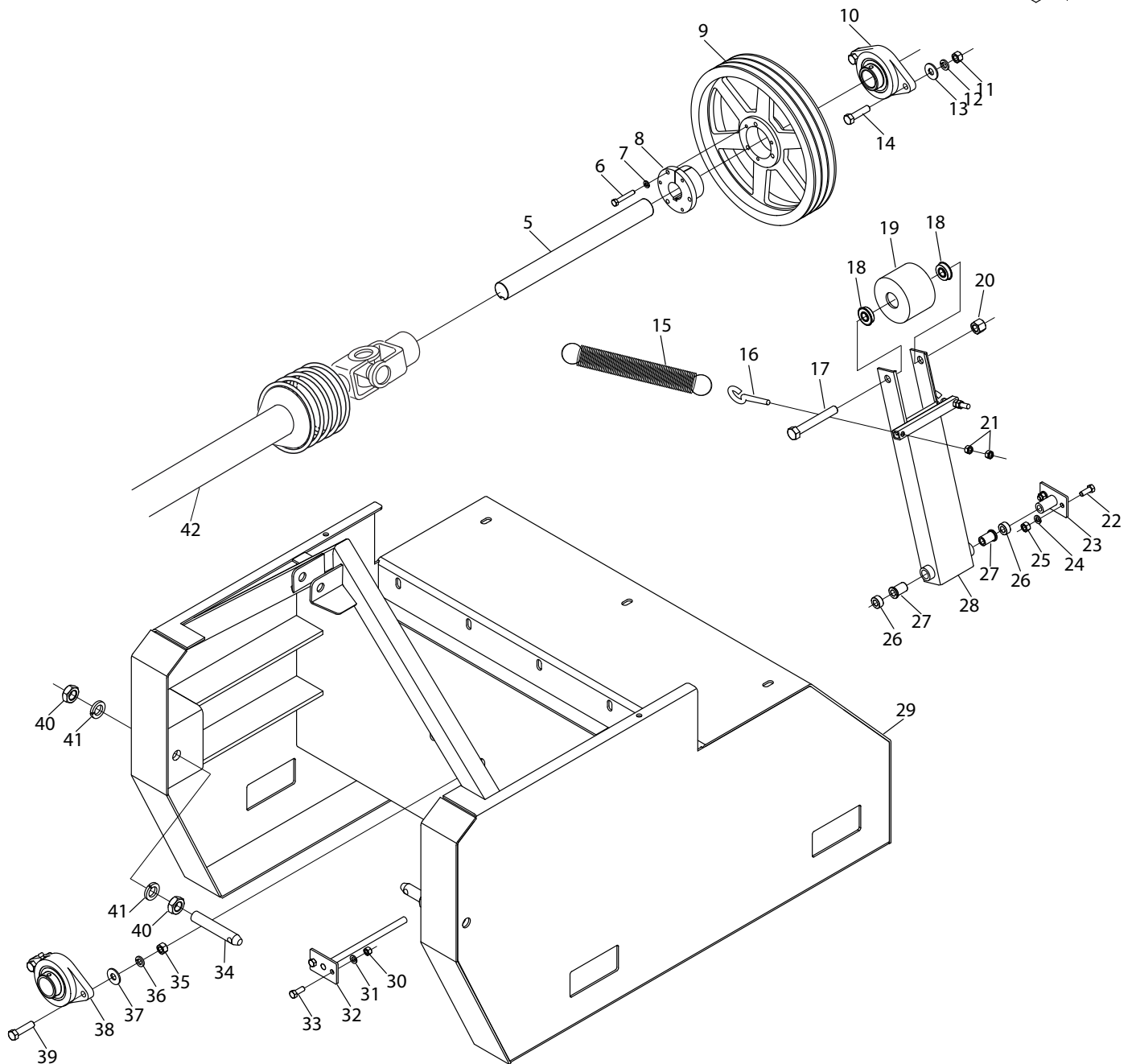
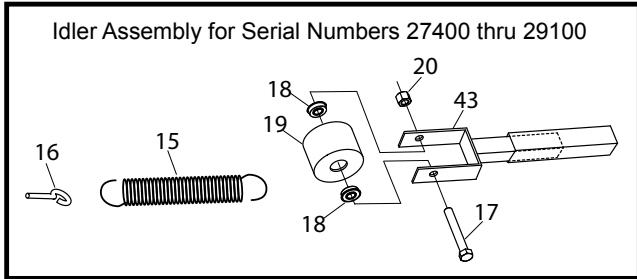
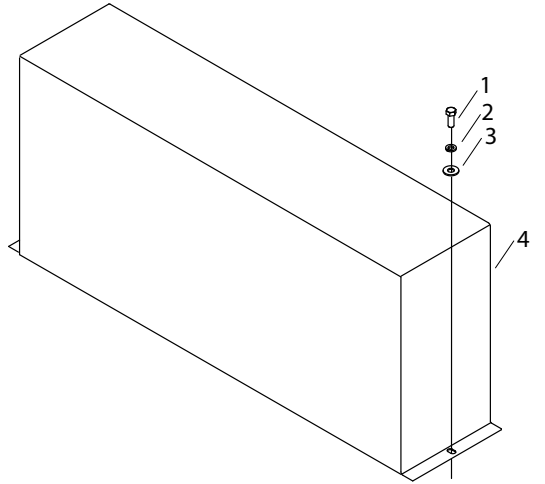


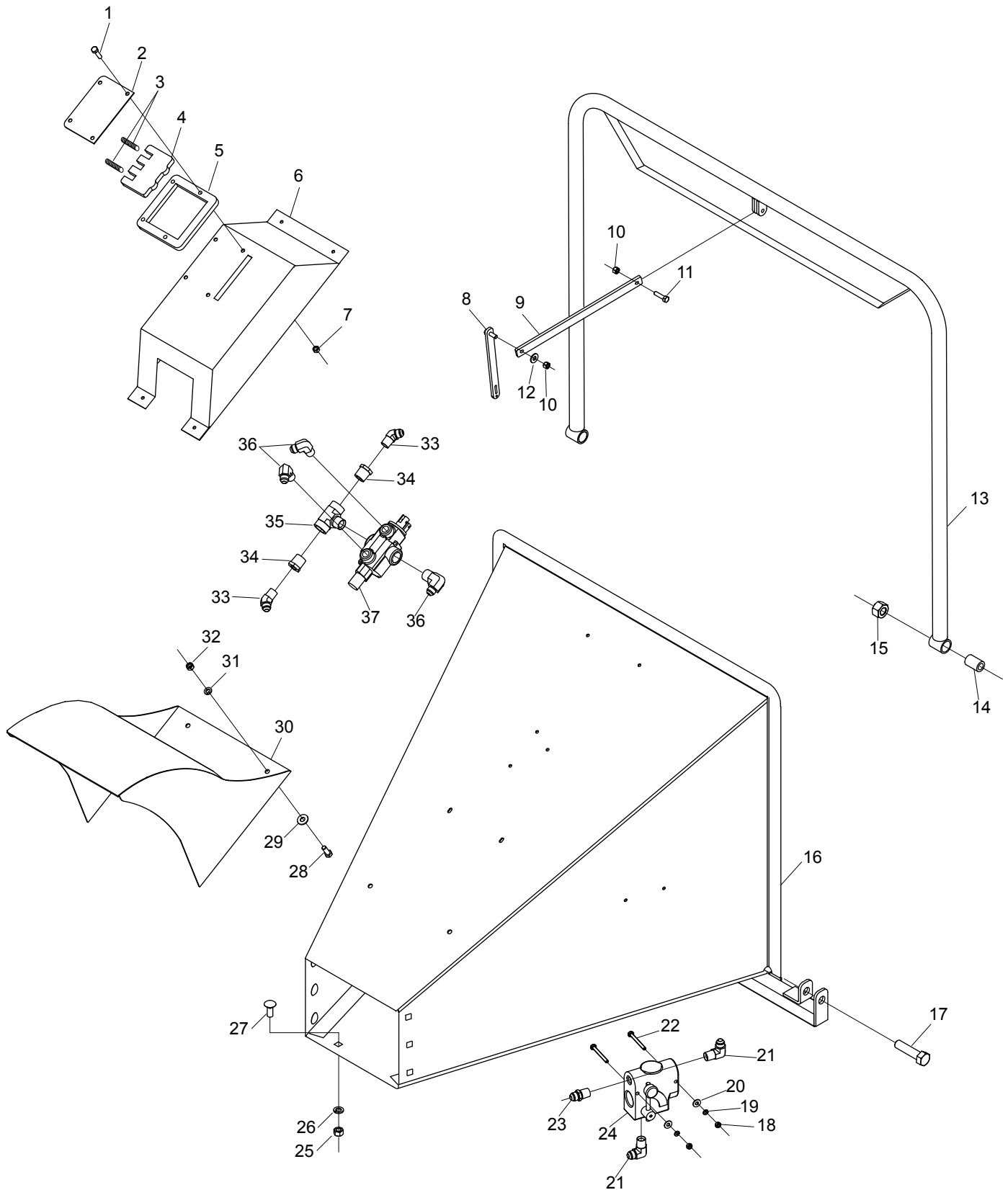
# CX851 Base Assembly



# CX851 Base Assembly

Ref#	Description	Part#
1	Bolt, 3/8 x 1	000270
2	Lock Washer, 3/8	000820
3	Flatwasher, 3/8	001035
4	Belt Shield	902095
5	Jack Shaft	902085
6	Bolt, 1/4 x 1-7/8	
7	Lock Washer, 1/4	
8	Pulley Bushing w/ Bolts	900266
9	14" 3-Groove Pulley	900267
10	Flange Bearing	900127
11	Nut, 1/2	000940
12	Lock Washer, 1/2	000840
13	Flatwasher, 1/2	001055
14	Bolt, 1/2 x 2	000452
15	Belt Tension Spring	900279
16	Eye Bolt, 3/8 x 3-1/4	902001
17	Bolt, 5/8 x 4-1/2	000645
18	Insert Bearing	900150
19	Idler Roller	902023
20	Locknut, 5/8	000972
21	Nut, 3/8	000915
22	Bolt, 3/8 x 1	000270
23	Idler Shaft Bracket	902090
24	Lock Washer, 3/8	000820
25	Nut, 3/8	000915
26	Shaft Collar	900336
27	Idler Arm Bushing	902088
28	Idler Arm	902087
29	Base	902081
30	Nut, 3/8	000915
31	Lock Washer, 3/8	000820
32	Idler Arm Shaft	902089
33	Bolt, 3/8 x 1	000270
34	Lift Arm Pin /w Nut & Lock Washer	900110
35	Nut, 1/2	000940
36	Lock Washer, 1/2	000840
37	Flatwasher, 1/2	001055
38	Flange Bearing	900127
39	Bolt, 1/2 x 2	000452
40	Nut, 7/8	
41	Lock Washer, 7/8	
42	Complete PTO Shaft	900275
43	Idler Arm	902086

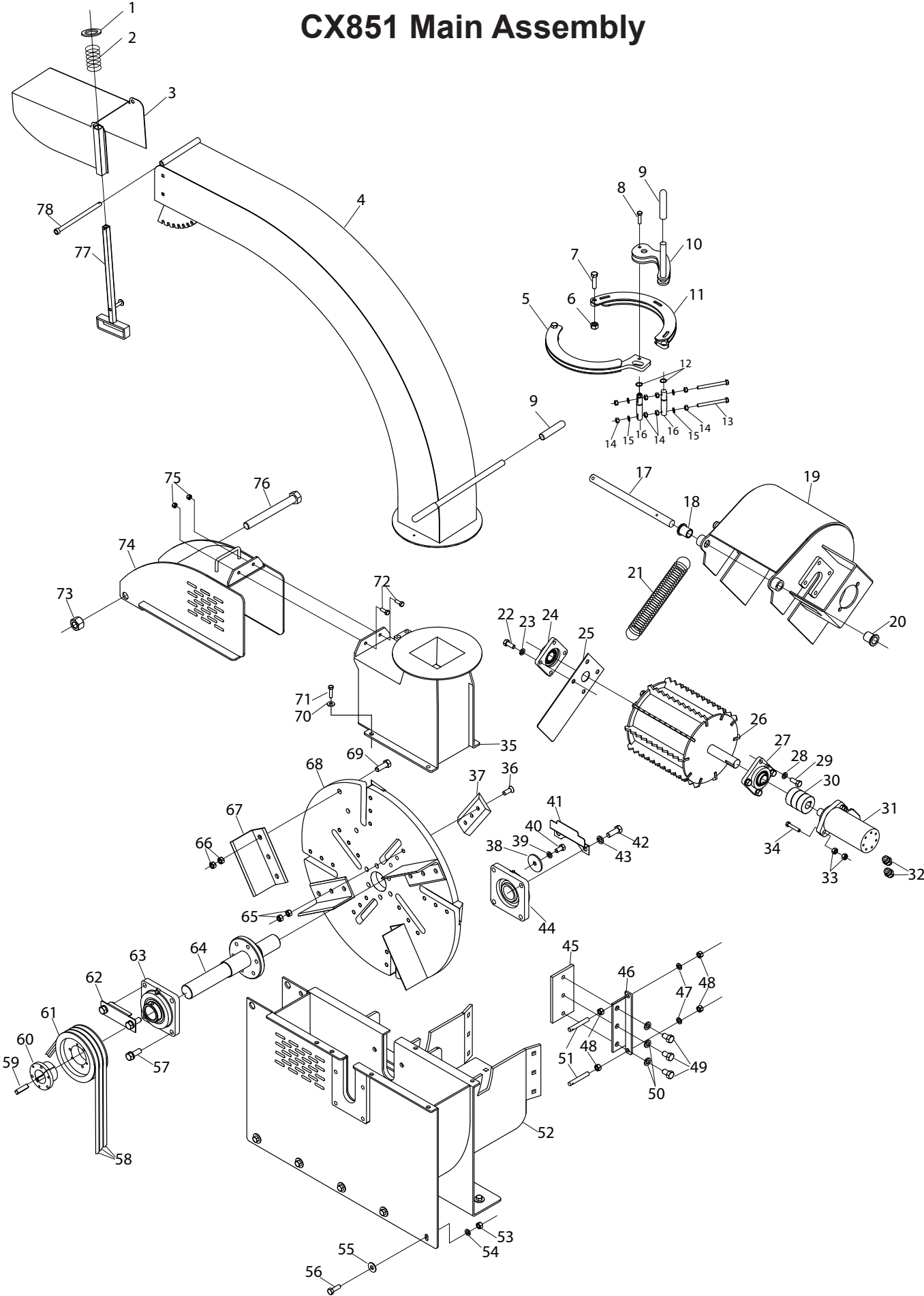
# CX851 Hopper Assembly



# CX851 Hopper Assembly

Ref#	Description	Part#
1	Bolt, 5/16 x 1-1/4	000230
2	Feed Control Cover	902039
3	Feed Control Spring	902040
4	Feed Control, Inner	902038
5	Feed Control, Outer	902037
6	Valve Cover	902034
7	Locknut, 5/16	002999
8	Valve Linkage	902035
9	Control Bar Linkage	902079
10	Locknut, 5/16	002999
11	Bolt, 5/16 x 1-1/4	000230
12	Flatwasher, 5/16	001030
13	Control Bar	902080
14	Bronze Bushing	700080
15	Locknut, 3/4	000990
16	Hopper	900354
17	Bolt, 3/4 x 3	000715
18	Nut, 1/4	000900
19	Lock Washer, 1/4	000805
20	Flatwasher, 1/4	001020
21	Hydraulic Fitting, Elbow	900172
22	Bolt, 1/4 x 2-1/2	000195
23	Hydraulic Fitting, Straight	900186
24	Flow Control Valve	900182
25	Nut, 1/2	000940
26	Lock Washer, 1/2	000840
27	Carriage Bolt, 1/2 x 1-1/4	000419
28	Bolt, 3/8 x 1	000270
29	Flatwasher, 3/8	001035
30	Feed Roller Shield	902107
31	Lock Washer, 3/8	000820
32	Nut, 3/8	000915
33	Hydraulic Fitting, 45 Degrees	900290
34	Hydraulic Fitting, Straight	900291
35	Hydraulic Fitting, "T"	900289
36	Hydraulic Fitting, Elbow	900172
37	Directional Valve	900181

# CX851 Main Assembly



# CX851 Main Assembly

Ref#	Description	Part#
1	Deflector Spring Washer	902071
2	Deflector Handle Spring	900303
3	Chip Deflector	902066
4	Chip Chute	902111
5	Chute Clamp	902019
6	Steel Locknut, 1/2	900144
7	Bolt, 1/2 x 2	000452
8	Bolt, 3/8 x 1-1/2	000280
9	Handle Grip	900116
10	Clamp Handle	902018
11	Chute Retainer	902020
12	Retaining Ring	902022
13	Bolt, 3/8 x 4 All Thread	902033
14	Nut, 3/8	000915
15	Lock Washer, 3/8	000820
16	Clamp Pin	902021
17	Roller Housing Shaft	902102
18	Bronze Bushing	900386
19	Feed Roller Housing	902099
20	Bronze Bushing	900386
21	Extension Spring	200041
22	Bolt, 1/2 x 1-1/4	000420
23	Lock Washer, 1/2	000840
24	1-1/4 4-Bolt Flange Bearing	900050
25	Roller Bearing Shield	902101
26	Feed Roller	902100
27	1-1/4 4-Bolt Flange Bearing	900050
28	Lock Washer, 1/2	000840
29	Bolt, 1/2 x 1-1/4	000420
30	Hydraulic Motor Coupling	900388
31	Hydraulic Motor	900277
32	Hydraulic Fitting	900190
33	Nut, 1/2	000940
34	Bolt, 1/2 x 1-3/4	000445
35	Upper Rotor Housing	902083
36	Recessed Head Bolt, 1/2 x 2	900130
37	Chipper Knife	900101
38	Mandrel Cap	902098
39	Lock Washer, 1/2	000840

Ref#	Description	Part#
40	Bolt, 1/2 x 1	000405
41	Bearing Shield, Rear	902097
42	Bolt, 5/8 x 1-3/4	000625
43	Lock Washer, 5/8	000860
44	2" 4-Bolt Flange Bearing	900273
45	Anvil	902103
46	Anvil Bracket	902104
47	Lock Washer, 1/2	000840
48	Nut, 1/2	000940
49	Bolt, 5/8 x 1	000604
50	Lock Washer, 5/8	000860
51	Anvil Adjustment Rod	902105
52	Lower Rotor Housing	902082
53	Nut, 1/2	000940
54	Lock Washer, 1/2	000840
55	Flatwasher, 1/2	001055
56	Bolt, 1/2 x 1-1/2	000435
57	Bolt, 5/8 x 1-3/4	000625
58	Belt	900369
59	Key, 1/2 x 2	902091
60	Pulley Bushing, 2" Bore	900268
61	3-Groove Pulley	900265
62	Bearing Shield, Front	902096
63	2" 4-Bolt Flange Bearing	900273
64	Rotor Shaft	902092
65	Steel Locknut, 1/2	900144
66	Steel Locknut, 5/8	900145
67	Rotor Paddle	902094
68	Rotor	902093
69	Bolt, 5/8 x 2	000615
70	Flatwasher, 7/16	001045
71	Bolt, 7/16 x 1-1/2	000360
72	Bolt, 3/8 x 1-1/4	000275
73	Lock Nut, 1"	001012
74	Rotor Access	902084
75	Nut, 3/8	000915
76	Bolt, 1" x 9"	000795
77	Deflector Handle	902069
78	Deflector Pin	902067